

LXi™ Flue Vent Assembly Replacement Kits

⚠ WARNING

FOR YOUR SAFETY - This product must be installed and serviced by a contractor who is licensed and qualified in pool equipment by the jurisdiction in which the product will be installed where such state or local requirements exist. In the event no such state or local requirement exists, the installer or maintainer must be a professional with sufficient experience in pool equipment installation and maintenance so that all of the instructions in this manual can be followed exactly. Before installing this product, read and follow all warning notices and instructions that accompany this product. Failure to follow warning notices and instructions may result in property damage, personal injury, or death. Improper installation and/or operation can create carbon monoxide gas and flue gases which can cause serious injury, property damage, or death. For indoor installations, as an additional measure of safety, Zodiac Pool Systems, Inc. strongly recommends installation of suitable Carbon Monoxide detectors in the vicinity of this appliance and in any adjacent occupied spaces. Improper installation and/or operation will void the warranty.

These instructions are to be used with the following Jandy® Replacement Kits:

R0455503--Flue Collector with Gaskets Replacement Kit, Pool/Spa Heater Model LXi 250

R0455504--Flue Collector with Gaskets Replacement Kit, Pool/Spa Heater Model LXi 300

R0455505--Flue Collector with Gaskets Replacement Kit, Pool/Spa Heater Model LXi 400

R0455803--Vent Box Assembly Replacement Kit, Pool/Spa Heater Model LXi 250

R0455804--Vent Box Assembly Replacement Kit, Pool/Spa Heater Model LXi 300

R0455805--Vent Box Assembly Replacement Kit, Pool/Spa Heater Model LXi 400

R0456200--Flue Box Assembly Replacement Kit, Pool/Spa Heater Models LXi 250-400

R0495503--Vent Box Assembly, Split Flue, Replacement Kit, Pool/Spa Heater Model LXi 250

R0495504--Vent Box Assembly, Split Flue, Replacement Kit, Pool/Spa Heater Model LXi 300

R0495505--Vent Box Assembly, Split Flue, Replacement Kit, Pool/Spa Heater Model LXi 400

This document gives instructions for replacing the following venting components on all LXi pool/spa heaters: the Flue Collector, Vent Box Assembly, and Flue Box Assembly. The instructions must be followed exactly. The document also provides important information on replacing gaskets.

These instructions were written with safety as the priority. Not following the written procedure or taking short cuts may increase the risk of personal injury. Read through the instructions completely before starting the procedure.

Before starting the procedure, use the parts list at the back of these instructions to identify the parts that are in your kit. If any parts are missing from the kit, please call your local Jandy distributor for assistance. For technical assistance, please contact our Technical Service Department at 800-822-7933.

A. Important Information on Gaskets

The LXi pool/spa heater has a fan-assisted combustion system. A specially designed combustion blower pushes air flow through the system, most of which operates at positive pressure.

All three (3) components - vent box assembly, flue box assembly and flue collector - use gaskets

along with screws between the parts. **These seals are important, because they ensure proper heater operation and ensure that exhaust products are not misdirected.** All gaskets must be in place and properly installed. Leakage of air into the system can cause operational problems and reduce efficiency.

The exhaust terminal is either a grill for outdoor installation (shipped in place) or a vent collar for connection to vent piping. Vent piping and all vent connections are important because their failure can result in the release of exhaust products indoors. A leak from under the top cover can result in recirculation of exhaust products through the heater and condensation of combustion product inside the heater.

B. Replace Vent Box Assembly

⚠ WARNING

SHOCK HAZARD!

Turn off all switches and the main breaker in the pool/spa heater electrical circuit before starting the replacement procedure. Failure to comply may cause a shock hazard resulting in severe personal injury or death.

NOTE As the heater is reassembled, be sure to fill all gaps and voids with the silicone provided in the kit.

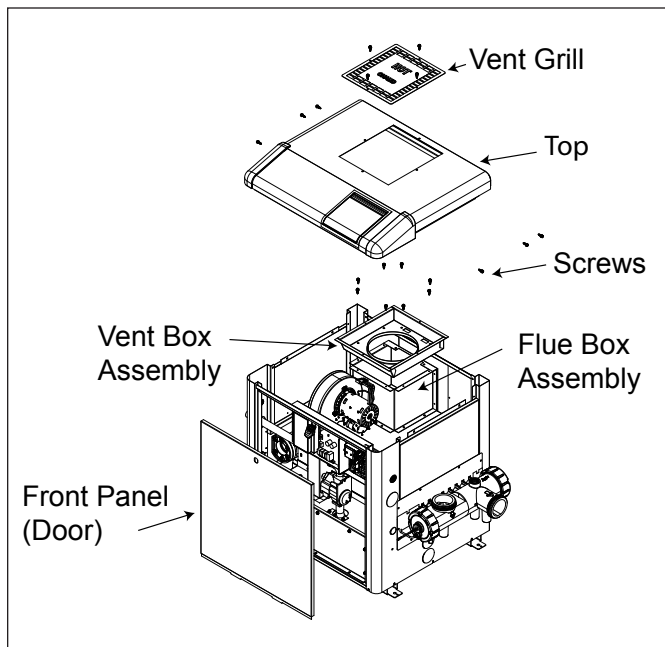


Figure 1. Accessing the Vent Box Assembly

1. Turn off the electrical power to the heater. Turn off the main gas supply to the heater at the meter or the manual gas cock outside the heater.
2. Be sure that the filter pump is OFF and that it will remain off during the entire procedure.
3. Remove the heater front panel (door).
4. Turn the gas control knob to OFF.
5. Remove the four (4) screws that secure the vent grill. Remove the vent grill. See Figure 1.
6. Disconnect the four (4) wires of the universal controller from the power interface. These wires (Black, Orange, Blue and Red) are identified on the power interface board as "User Interface 1." The power interface board can be found on the control panel. See Figure 2.
7. Remove the six (6) screws that secure the top assembly to the cabinet. See Figure 1. Remove the top assembly.
8. Remove the eight (8) screws that secure the flue to the vent box.
9. Replace the vent box. Replace the ceramic fiber gasket.
10. If you are not replacing other components in these R-Kits, follow steps 11 - 15 to reassemble the vent box assembly.
11. Secure the flue box to the vent box using eight (8) screws.
12. Secure the top assembly to the cabinet using six (6) screws.

13. Connect the four (4) wires of the universal controller to the power interface board. These wires (Black, Orange, Blue and Red) are identified on the power interface board as "User Interface 1". The power interface board can be found on the control panel. See Figures 2 and 3.
14. Replace the top and secure the vent grill in place with four (4) screws. See Figure 1.
15. Restore the power and gas supply by following the instructions in section E.

C. Replace Flue Box Assembly

NOTE As the heater is reassembled, be sure to fill all gaps and voids with the silicone provided in the kit.

1. Follow steps 1-7 in Section B to remove the vent box assembly.

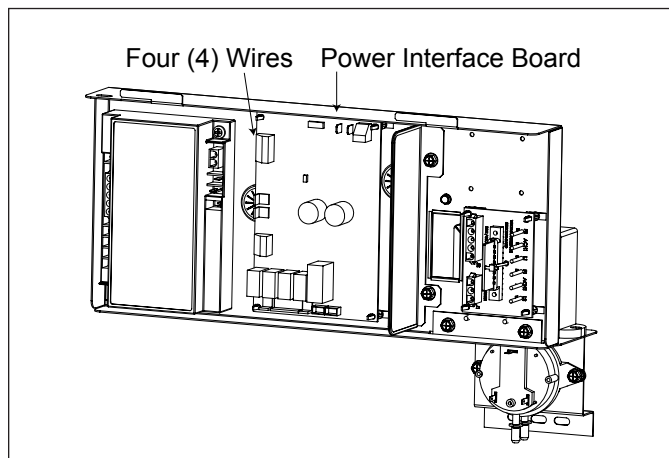


Figure 2. Control Panel

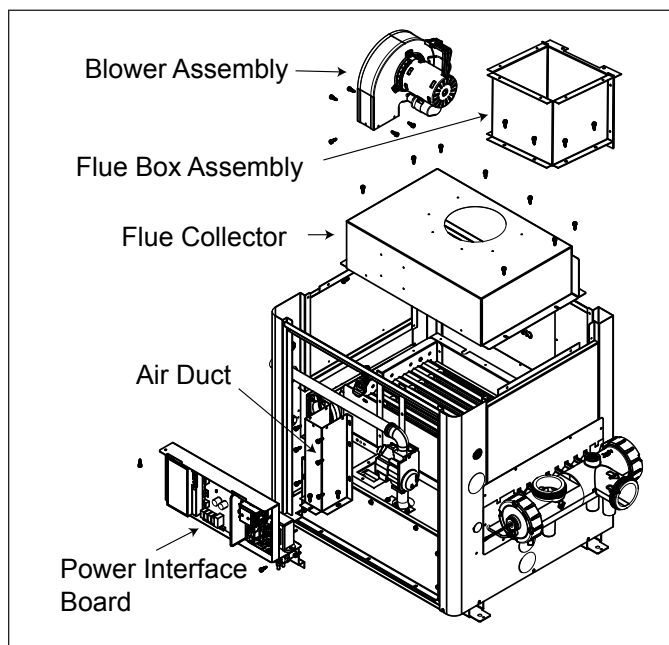


Figure 3. Flue Box Assembly and Flue Collector

2. Remove the eight (8) screws that secure the flue box assembly to the flue collector. See Figure 3.
3. Discard the old gaskets and clean all mating surfaces of any corrosion or debris.
4. Install new gaskets.
5. Replace the eight (8) screws to attach the new flue box assembly to the flue collector using Jandy part number R0456200.

NOTE Be sure to replace the ceramic fiber gasket when replacing the flue box and the flue collector.

6. Follow steps 11-15 in Section B to reassemble the vent box assembly.
7. Follow the instructions in Section E to restore the electrical power and gas supply.

D. Replace Flue Collector

NOTE As the heater is reassembled, be sure to fill all gaps and voids with the silicone provided in the kit.

1. Follow steps 1-7 in Section B to remove the vent box assembly.
2. Follow steps 2-4 in Section C to remove the flue box assembly.
3. Remove the two (2) hex head screws that hold the control panel in place. One is located on the pressure switch bracket to the burner panel. The other is located at the top left side of the control panel next to the bracket door support. See Figure 3.
4. Remove the nine (9) screws securing the air duct. Remove the air duct and the blower assembly together.
5. Remove the one (1) upper screw that attaches the burner panel to the flue collector.
6. Remove the eight (8) screws that secure the flue collector to the combustion chamber assembly. Remove the flue collector. See Figure 3.
7. Discard the old gaskets and clean all mating surfaces of any corrosion or debris.
8. Install new gaskets.
9. Replace the eight (8) screws to attach the flue box assembly to the new flue collector. (Part number R0455803 for model 250, part number R0455804 for model 300, and part number R0455805 for model 400)

10. Attach the flue collector to the burner panel with the one (1) upper screw.
11. Replace the blower assembly and air duct together, using the nine (9) screws that secure the air duct.
12. Replace the control panel using the two (2) hex head screws that hold it in place. One is located on the pressure switch bracket, which mounts to the burner panel. The other is located at the top left side of the control panel next to the bracket door support. See Figure 3.
13. Attach the flue collector to the flue box assembly using 8 (eight) screws. See Figure 3.
14. Follow steps 11-15 in Section B to reassemble the vent box assembly.
15. Follow the instructions in Section E to restore the power and gas supply.

E. Restore Power and Gas Supply

After replacing the necessary components, restore the electrical power and gas supply.

1. Turn the gas control knob to ON.
2. Replace the heater front panel (door).
3. Start the filter pump to check for leaks.
4. Restore electrical power to the heater.
5. Restore the gas supply.

F. Replacement Kit List

The following table and drawings are for your reference. To order additional parts, please contact your local Jandy Distributor.

Parts List for Vent Box Assembly, Flue Box Assembly, and Flue Collector Replacement Kits				
Description	R0455503, 04, 05	R0455803, 04, 05	R0456200	R0495503, 04, 05
Box, Vent With Vent Ring	-	1	-	-
Box, Vent With Vent Ring, Split Flue	-	-	-	1
Plate, Flue	-	-	1	-
Box, Flue	-	-	1	-
Collector, Flue	1	-	-	-
Screw 10-16 x 5/8"	24	14	28	14
Gasket, Ceramic Fiber, 1" wide x 5/8" thick	1	1	1	1
Silicone, Tube	1	1	1	1
Instructions	1	1	1	1

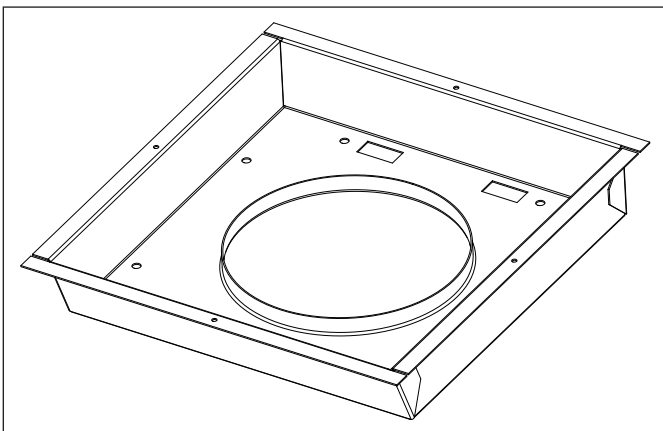


Figure 4. Vent Box

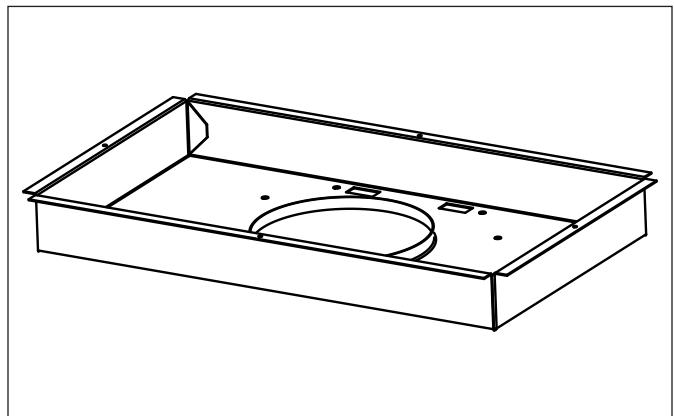


Figure 5. Vent Box, Split Flue

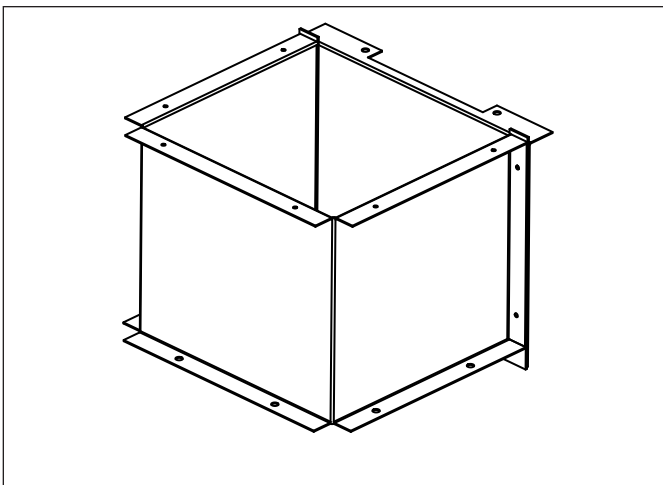


Figure 6. Flue Box

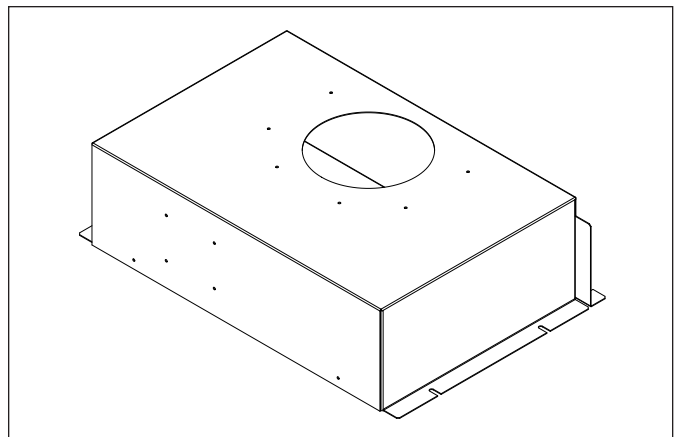


Figure 7. Flue Collector

H0296500C



Zodiac Pool Systems, Inc.
6000 Condor Drive, Moorpark, CA, USA 93021 • 800.822.7933 FAX 877.327.1403

Litho in U.S.A. © Zodiac Pool Systems, Inc. 1005