



Jandy Pro Series Underwater Pool and Spa White Lights

WARNING

FOR YOUR SAFETY - This product must be installed and serviced by a contractor who is licensed and qualified in pool equipment by the jurisdiction in which the product will be installed where such state or local requirements exist. In the event no such state or local requirement exists, the maintainer must be a professional with sufficient experience in pool equipment installation and maintenance so that all of the instructions in this manual can be followed exactly. Before installing this product, read and follow all warning notices and instructions that accompany this product. Failure to follow warning notices and instructions may result in property damage, personal injury, or death. Improper installation and/or operation will void the warranty.

Table of Contents

Section 1. Important Safety Information.....4

Section 2. Operating Instructions5

2.1 To Operate the Light5

Section 3. Replacing The Lamp.....5

Section 4. Exploded View and Replacement Parts.....8

4.1 Jandy Pool White Light.....8

4.2 Jandy Spa White Light.....9

Figures and Tables

| | |
|--|-------------------------------------|
| Figure 1. Removing the Pool and Spa White Light Assembly for Lamp Replacement.....5 | Table 1. Lamp Specifications5 |
| Figure 2. Alignment of the Lens, Face Ring, Housing and Clamps for Pool White Lights.....7 | |
| Figure 3. Jandy Pool White Light Exploded View8 | |
| Figure 4. Jandy Pool White Light, Front and Back View8 | |
| Figure 5. Cross Section of Jandy Pool White Light...8 | |
| Figure 6. Jandy Spa White Light Exploded View9 | |
| Figure 7. Jandy Spa White Light, Front and Back View9 | |
| Figure 8. Cross Section of Jandy Spa White Light9 | |

Section 1. Important Safety Information

IMPORTANT SAFETY INSTRUCTIONS PERTAINING TO A RISK OF FIRE, ELECTRIC SHOCK, OR INJURY TO PERSONS

READ AND FOLLOW ALL INSTRUCTIONS

When installing and using this electrical equipment, basic safety precautions should always be followed, including the following:

WARNING

RISK OF ELECTRICAL SHOCK OR ELECTROCUTION. This underwater light must be installed by a licensed or certified electrician in accordance with the National Electrical Code® (NEC®) in the US, the Canadian Electrical Code (CEC®) in Canada, and applicable local codes and ordinances. Improper installation will create an electrical hazard, which could result in death or serious injury to pool or spa users, installers, or others due to electrical shock, and may also cause damage to property. Read and follow the specific instructions below.

WARNING

Before installing this underwater light, read and follow all warning notices and instructions accompanying this light. Failure to follow safety warnings and instructions can result in severe injury, death, or property damage. Call (800) 822-7933 for additional free copies of these instructions.

CAUTION

Except when the Jandy Pool and Spa lights are installed in an area of the swimming pool that is not used for swimming and the lens is adequately guarded to keep any person from contacting it, the light shall be installed in or on a wall of the pool, with the top of the lens opening not less than 18 inches (457 mm) below the normal water level of the pool



ATTENTION INSTALLER: This manual contains important information about the installation, operation and safe use of this product. This information should be given to the owner/operator of this equipment.

NOTICE

The Jandy Pool and Spa lights are intended for installation in fresh water and non-fresh water swimming pools and spas. It is important to ensure that the wet niches in which the lights are installed are intended for their appropriate application, either fresh water or non-fresh water.

SAVE THESE INSTRUCTIONS

Section 2. Operating Instructions

2.1 To Operate the Light

Activate the light by either turning on the switch, setting a program, or by pushing the button on a pool and spa controller.

- Be sure to have the following items:
 - A new lens gasket (P/N R0451101 for Jandy Pool Light and P/N R0400501 for Jandy Spa Light).
 - One (1) new lamp. See Table 1 for specifications.

Section 3. Replacing The Lamp

! WARNING

Always disconnect the power to the pool or spa light at the circuit breaker before servicing the light. Failure to do so could result in death or serious injury to serviceman, pool or spa users or others due to electrical shock.

! WARNING

Replace the lamp with one of the same type and wattage. Failure to replace the lamp with one of the same type will damage the light assembly and may cause an electrical hazard resulting in death or serious injury to pool or spa users, installers, or others due to electrical shock, and may also cause damage to property. Be sure the power is switched OFF before removing or installing lamps. Allow lamp to cool before replacing.

- Turn off the main electrical switch or circuit breaker, as well as the switch, which operates the underwater light.
- To remove the light assembly, unscrew the special pilot screw at the top of the face ring, remove light assembly from niche and gently place assembly on the deck. It is not necessary to drain down the pool or spa. See Figure 1.

| Jandy Model | Fixture Voltage | Lamp Voltage | Lamp Wattage | Lamp Type | Qty. per Fixture | Lamp Kit Part Number |
|----------------------|-----------------|--------------|--------------|-----------|------------------|----------------------|
| Pool/Spa White Light | 12 Volt AC | 12V | 100 Watt | R20 Flood | 1 | R0450501 |
| Pool White Light | 120 Volt AC | 120V | 300 Watt | R40 Flood | 1 | R0450502 |
| Pool White Light | 12 Volt AC | 12V | 300 Watt | R40 Flood | 1 | R0450503 |
| Pool White Light | 120 Volt AC | 120V | 500 Watt | R40 Flood | 1 | R0450504 |
| Spa White Light | 120 Volt AC | 120V | 60 Watt | R20 Flood | 1 | R0450505 |

Table 1. Lamp Specifications

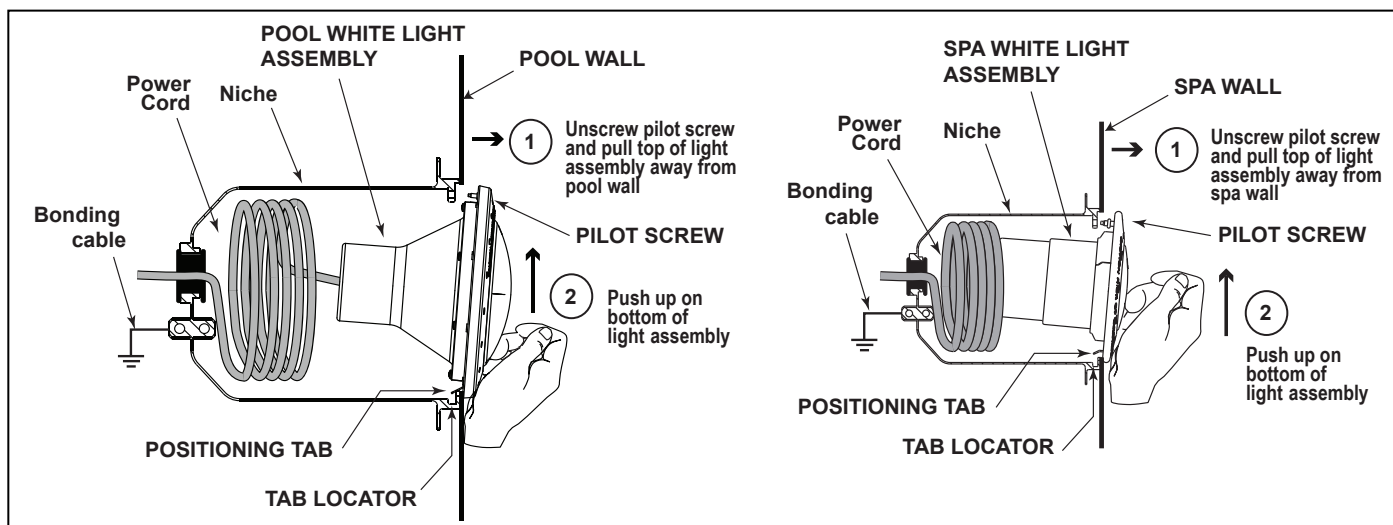


Figure 1. Removing the Pool and Spa White Light Assembly for Lamp Replacement

4. Disassemble the light fixture and replace lamp as follows:

WARNING

Be sure to keep the special pilot screw from this underwater light. This screw mounts and electrically grounds the housing securely to the mounting ring and wet niche. Failure to use the screw provided could create an electrical hazard, which could result in death or serious injury to pool or spa users, installers or others due to electrical shock.

- a. Loosen the eight (8) Phillips head screws for pool light or the six (6) Phillips head screws for spa light to allow the bottom clamp to be removed from the face ring assembly. Do not remove the screws or the retaining rings. The retaining rings prevent the screws from falling free from the top clamp and also aid in ease of assembly.
- b. Remove the lower clamp, the face ring assembly, the glass lens, and the gasket from the fixture. Remove the gasket from the lens. Refer to *Section 4, Exploded View and Replacement Parts*.
- c. Install new lamp.

WARNING

Risk of Electrical Shock or Electrocution. Always install a new lens gasket whenever disassembling the light (for **Jandy Pool Light Gasket** P/N R0451101 and for **Jandy Spa Light Gasket** P/N R0400501). Failure to do so may permit water to leak into the assembly, which could cause:

- (a) An electrical hazard resulting in death or serious injury to pool or spa users, installers, or others due to electrical shock, or
- (b) Breakage of the lamp or lens, which likewise could result in serious injury to pool or spa users, installers, or bystanders, or in damage to property.

5. Reassemble the fixture as follows:

- a. If not already done, remove the gasket from the glass lens and install a new gasket, **Jandy Pool Light Gasket** (P/N R0451101) and **Jandy Spa Light Gasket** (P/N R0400501), on the lens.

NOTE A new lens gasket must be used each time the light is reassembled.

- b. While holding the fixture upright, place the glass lens with the gasket on top of the fixture. Please note that the lens gasket is not symmetrical. Therefore, it must be installed correctly so that the lens can seal to the fixture housing. Place the gasket on the lens so that the thick molded side of the gasket will mate with the housing when the lens is installed. See Figure 5.
 - c. Position the lens and gasket on the fixture. Place the face ring and the top clamp over the lens and align the pilot screw with the small arrow mark on the face of the lens. Note that the small arrow mark on the face of the lens and the pilot screw of the face ring must be aligned with the arrow located on fixture label that reads, “Arrow on this label must line up with the pilot screw on the Face Ring”. See Figure 2.
 - d. While holding the aligned face ring assembly and fixture together, turn the assembly upside down and set it on the old gasket, using the old gasket as an assembly fixture. This will keep the lens and gasket assembly from being pushed out of the face ring while you secure it to the light fixture.
 - e. Spread the bottom clamp over the electrical cord and slide it onto the back of fixture to the top clamp. See Figure 2.
 - f. Tighten the eight (8) Phillips head screws for pool light or the six (6) Phillips head screws for spa light in alternating cross-pattern. Torque screws to approximately 20 in-lbs. Do not over-tighten.
 - g. Discard the old gasket.
6. Reinstall the Jandy Light into niche fixture.
- a. Coil four (4) feet of cord around the fixture and place the light assembly into the niche.
 - b. Engage the retainer tab on the bottom of the face ring, then pivot the top of the fixture inward and tighten the special pilot screw.

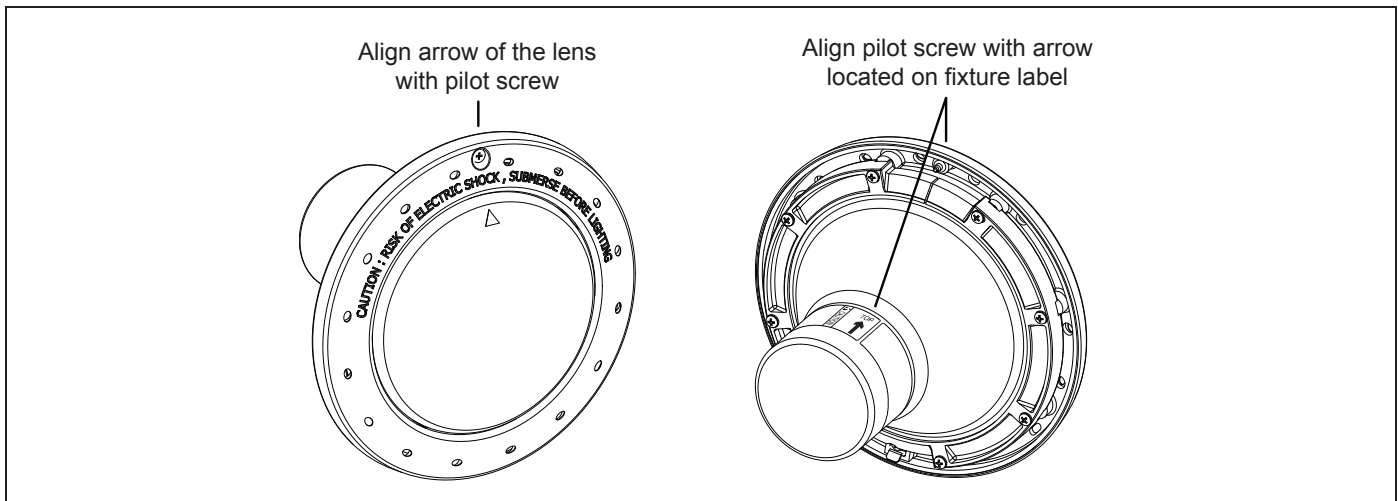


Figure 2. Alignment of the Lens, Face Ring, Housing and Clamps for Pool White Lights

⚠ WARNING

Use only the special pilot screw provided with this underwater light. This screw mounts and electrically grounds the housing securely to the mounting ring and wet niche. Failure to use the screw provided could create an electrical hazard, which could result in death or serious injury to pool or spa users, installers or others due to electrical shock.

7. If pool or spa is empty, fill pool or spa until the underwater light is completely submerged in water before operating the light for more than 10 seconds. Turn on main switch or circuit breaker, as well as the switch, which specifically operates the underwater light, to check for proper operation.

⚠ WARNING

Never operate this underwater light for more than 10 seconds unless it is totally submerged in water. Without total submersion, the light assembly will get extremely hot, which may result in serious burns or in breakage of the lamp or lens. This may result in serious injury to pool or spa users, installers, or bystanders or in damage to property.

Section 4. Exploded View and Replacement Parts

4.1 Jandy Pool White Light

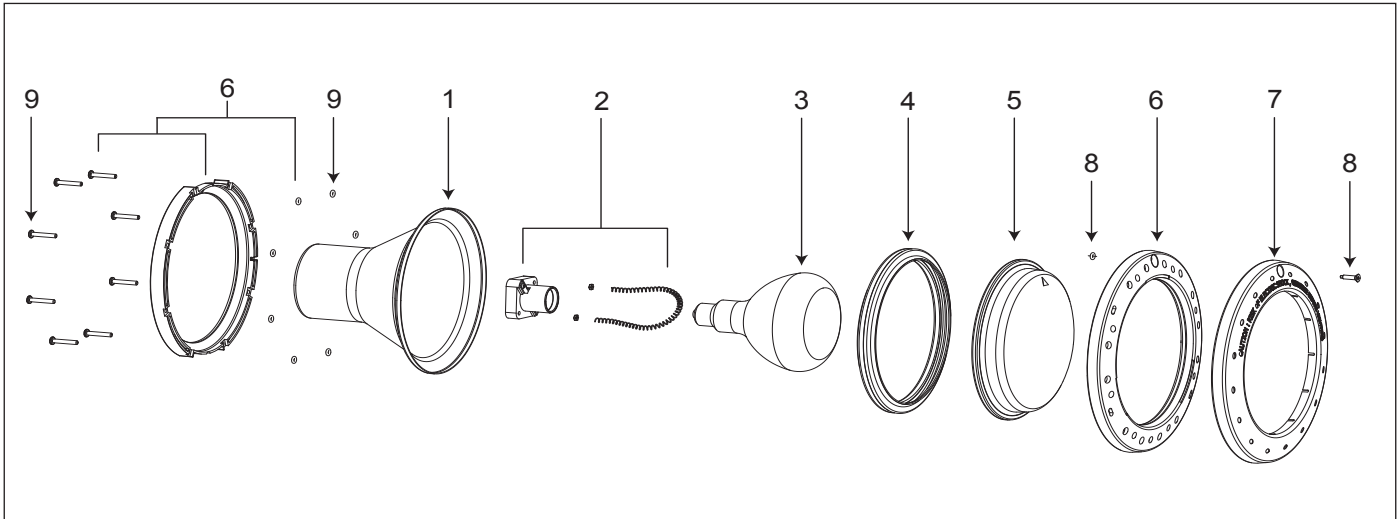


Figure 3. Jandy Pool White Light Exploded View

| DWG # | Part # | Description | Field Replaceable |
|-------|----------|---|--------------------------------|
| 1 | N/A | Pool Light Housing | <i>NO - Purchase New Light</i> |
| 2 | N/A | Lamp Holder | <i>NO - Purchase New Light</i> |
| 3 | R0450501 | Lamp, 100 Watt, 12 Volt | YES |
| 3 | R0450502 | Lamp, 300 Watt, 120 Volt | YES |
| 3 | R0450503 | Lamp, 300 Watt, 12 Volt | YES |
| 3 | R0450504 | Lamp, 500 Watt, 120 Volt | YES |
| 4 | R0451101 | Silicone Gasket, Pool Light | YES |
| 5 | R0450601 | Glass Lens, Pool Light | YES |
| 6 | R0450701 | Clamp Assembly, Pool Light | YES |
| 7 | R0450801 | Face Ring, Stainless Steel (SS), Pool Light | YES |
| 7 | R0450802 | Face Ring, Plastic, White, Pool Light | YES |
| 7 | R0450803 | Face Ring, Plastic, Black, Pool Light | YES |
| 7 | R0450804 | Face Ring, Plastic, Gray, Pool Light | YES |
| 8 | R0450901 | Pilot Screw, with Retainer, Pool Light | YES |
| 9 | R0451001 | Clamp Screw (8 Screws and 8 Retainers) Pool Light | YES |

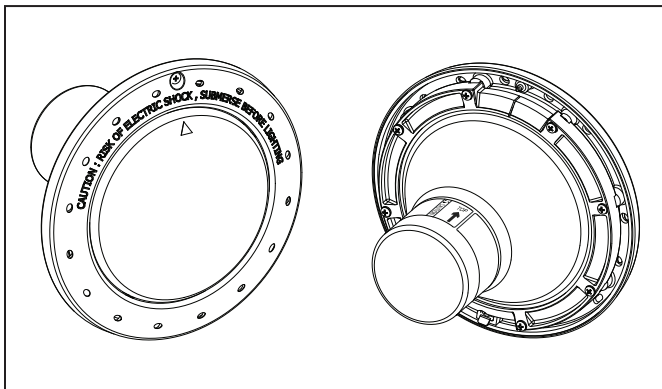


Figure 4. Jandy Pool White Light, Front and Back View

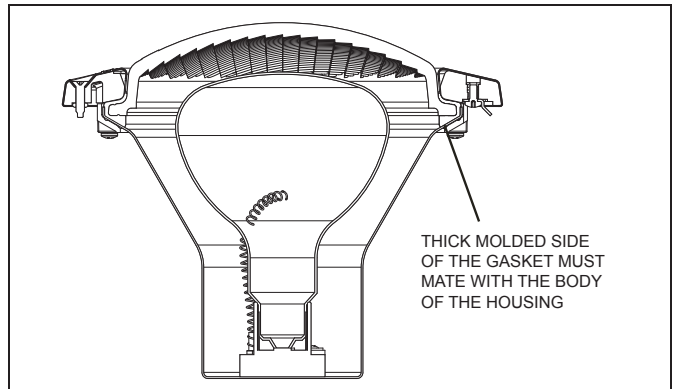


Figure 5. Cross Section of Jandy Pool White Light

4.2 Jandy Spa White Light

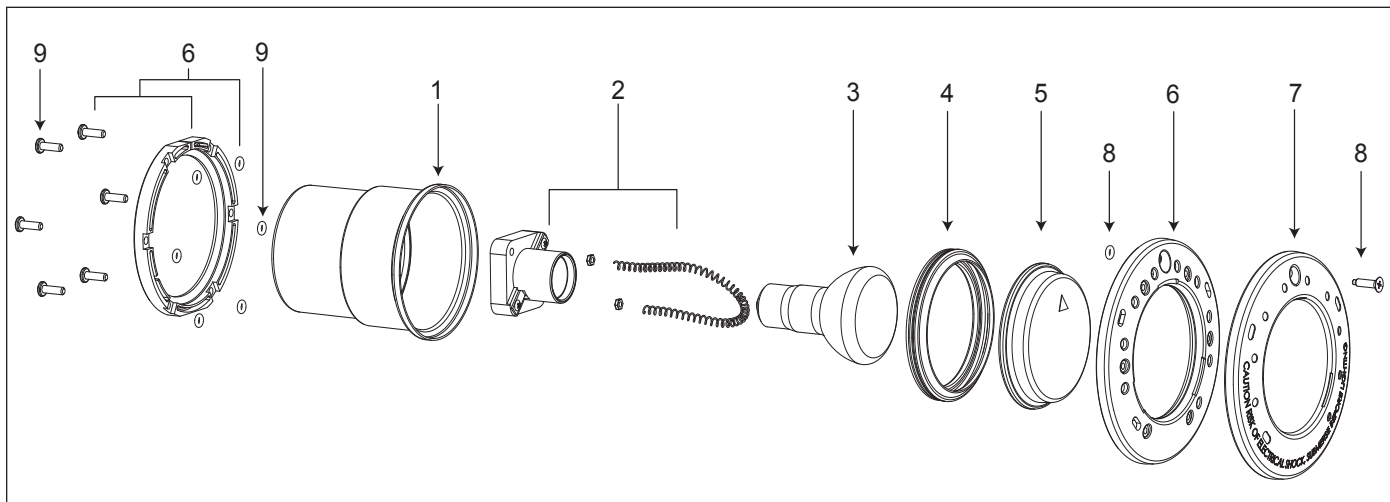


Figure 6. Jandy Spa White Light Exploded View

| DWG # | Part # | Description | Field Replaceable |
|-------|----------|--|-------------------------|
| 1 | N/A | Spa Light Housing | NO - Purchase New Light |
| 2 | N/A | Lamp Holder | NO - Purchase New Light |
| 3 | R0450501 | Lamp, 100 Watt, 12 Volt | YES |
| 3 | R0450505 | Lamp, 60 Watt, 120 Volt | YES |
| 4 | R0400501 | Silicone Gasket, Spa Light | YES |
| 5 | R0400601 | Glass Lens, Spa Light | YES |
| 6 | R0451201 | Clamp Assembly, Spa Light | YES |
| 7 | R0451301 | Face Ring, Stainless Steel (SS), Spa Light | YES |
| 7 | R0451302 | Face Ring, Plastic, White, Spa Light | YES |
| 7 | R0451303 | Face Ring, Plastic, Black, Spa Light | YES |
| 7 | R0451304 | Face Ring, Plastic, Gray, Spa Light | YES |
| 7 | R0451305 | Face Ring, Plastic Set, Spa Light | YES |
| 8 | R0450901 | Pilot Screw, with O-ring, Spa Light | YES |
| 9 | R0451401 | Clamp Screw (6 Screws and 6 Retainers) Spa Light | YES |

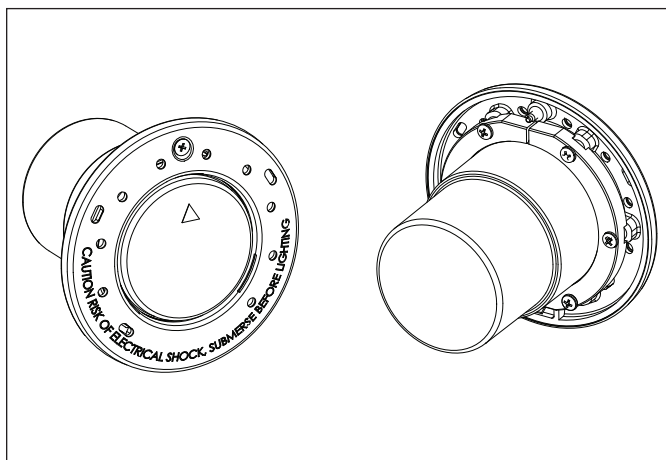


Figure 7. Jandy Spa White Light, Front and Back View

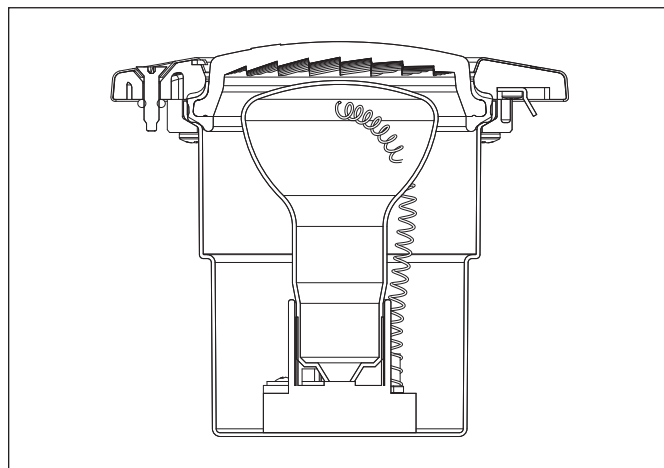


Figure 8. Cross Section of Jandy Spa White Light

NOTES

NOTES



Intertek

ETL LISTED CONFORMS TO UL STD 676

Certified to CAN/CSA C22.2 No. 89

Zodiac Pool Systems, Inc.

2620 Commerce Way, Vista, CA 92081

1.800.822.7933 | www.ZodiacPoolSystems.com

©2014 Zodiac Pool Systems, Inc. ZODIAC® is a registered trademark of Zodiac International, S.A.S.U., used under license. All trademarks referenced herein are the property of their respective owners.

H0312300 Rev B



Lampes Blanches Immergées de Piscine et de Spa Jandy Pro Series

⚠ AVERTISSEMENT

POUR VOTRE SÉCURITÉ – Ce produit doit être installé et entretenu par un technicien qualifié spécialisé dans l'installation et l'entretien des piscines et des spas. Les consignes de ce manuel doivent être suivies scrupuleusement. Toute infraction aux consignes de sécurité et d'emploi pourrait causer des dommages matériels, des blessures graves ou même la mort. Une installation et/ou une utilisation incorrecte de la lampe annulerait la garantie. Avant d'installer ce produit, lisez et respectez toutes les consignes d'avertissement et instructions incluses avec cette lampe.

Table des Matières

| | | | |
|---|-----------|---|-----------|
| Section 1. Consignes de Sécurité | 16 | Section 4. Vue éclatée et pièces de rechange | 20 |
| Section 2. Consignes d'Utilisation | 17 | 4.1 Lampe blanche de piscine Jandy | 20 |
| 2.1 Pour faire fonctionner la lampe | 17 | 4.2 Lampe blanche de spa Jandy | 21 |
| Section 3. Remplacement de la lampe ... | 17 | | |

Figures et Tableaux

| | | | |
|--|----|--|----|
| Figure 1. Démontage de la lampe blanche de piscine et de spa pour son remplacement | 17 | Tableau 1. Caractéristiques techniques de la lampe | 17 |
| Figure 2. Alignement du verre de protection, de la bague avant, du boîtier et des crochets supports des lampes blanches de piscine | 19 | | |
| Figure 3. Vue éclatée de la lampe blanche de piscine Jandy | 20 | | |
| Figure 4. Lampe blanche de piscine Jandy, vues avant et arrière | 20 | | |
| Figure 5. Vue en coupe de la lampe blanche de piscine Jandy | 20 | | |
| Figure 6. Lampe blanche de spa Jandy, vue éclatée | 21 | | |
| Figure 7. Lampe blanche de spa Jandy, vues avant et arrière | 21 | | |
| Figure 8. Vue en coupe de la lampe blanche de spa Jandy | 21 | | |

Section 1. Consignes de Sécurité

DIRECTIVES DE SÉCURITÉ IMPORTANTES RELATIVEMENT À UN RISQUE D'INCENDIE, DE CHOC ÉLECTRIQUE, OU DE BLESSURES AUX PERSONNES.

LIRE ET SUIVRE TOUTES LES DIRECTIVES

Lors de l'installation et de l'utilisation de cet équipement électrique, des précautions de base doivent toujours être suivies, entre autres :

AVERTISSEMENT

RISQUE DE CHOC ÉLECTRIQUE OU D'ÉLECTROCUTION. Cette lampe immergée doit être installée par un technicien breveté ou certifié en accord avec le Code national d'électricité américain (NEC®) et le Code électrique canadien (CEC®) et avec les autres codes et arrêtés locaux applicables. Une installation incorrecte peut entraîner un risque de problème électrique (choc électrique ou électrocution) pouvant causer des blessures graves et même la mort des installateurs ou utilisateurs du spa et de la piscine. Lisez et respectez les instructions détaillées ci-dessous.

AVERTISSEMENT

Avant d'installer la lampe immergée, lisez et respectez toutes les consignes d'avertissement et instructions incluses avec cette lampe. Toute effraction à ces consignes de sécurité et instructions peut causer des blessures graves ou mortelles, ou des dommages matériels. Composez le (+1) (800) 822-7933 pour recevoir gratuitement des manuels supplémentaires des consignes de sécurité.

MISE EN GARDE

La lampe doit être installée à l'intérieur de la paroi ou sur la paroi de la piscine de façon à ce que le bord supérieur du verre de protection soit situé à au moins 18 pouces (457 mm) au-dessous du niveau normal de l'eau de la piscine, à moins que les lampes de piscine et de spa Jandy ne soient installées dans une partie de la piscine non utilisée pour la baignade et que les lentilles soient protégées adéquatement pour empêcher toute personne d'y toucher.



À L'ATTENTION DE L'INSTALLATEUR : ce guide contient des informations importantes concernant l'installation, le fonctionnement et les consignes de sécurité de ce produit. Ces informations doivent être données au propriétaire/opérateur de ce matériel.

AVIS

Les lampes de piscine et de spa Jandy sont destinées à l'installation en piscines et spas d'eau douce et d'eau de mer. Il est important de s'assurer que les niches immergées dans lesquelles sont installées les lampes sont conçues pour la bonne application, soit pour eau douce, soit pour eau de mer.

CONSERVEZ CES DIRECTIVES

Section 2. Consignes d'Utilisation

2.1 Pour faire fonctionner la lampe

Pour allumer les lampes, appuyez sur l'interrupteur, créez un programme ou appuyez sur la touche située sur le dispositif de commande de la piscine et du spa.

Section 3. Remplacement de la lampe

⚠ AVERTISSEMENT

Déconnectez toujours l'alimentation de la lampe de piscine ou de spa au niveau du disjoncteur avant d'entreprendre une réparation de la lampe. Ne pas respecter cette consigne risque de causer la mort par décharge électrique ou des blessures graves à l'installateur, au technicien d'entretien, aux utilisateurs du spa ou de la piscine ou à des tiers.

1. Éteignez l'interrupteur électrique ou le disjoncteur principal et l'interrupteur qui commande la lampe immergée.

2. Assurez-vous de disposer du matériel suivant :
 - Un joint de verre de protection neuf (Réf. R0451101 pour lampe de piscine Jandy et R0400501 lampe de spa Jandy).
 - Une (1) nouvelle lampe. Voir Tableau 1 pour les caractéristiques techniques.

⚠ AVERTISSEMENT

Remplacez toutes les lampes par des lampes de type et de puissance équivalents. Si vous changez le type de l'ampoule, vous risquez d'endommager la lampe et de créer un danger électrique pouvant causer la mort par décharge électrique ou des blessures graves aux utilisateurs ou à l'installateur de la piscine ou du spa, ou à des tiers, et pouvant également provoquer des dégâts matériels. Assurez-vous de COUPER le courant avant de retirer ou d'installer une lampe. Laissez la lampe refroidir avant de la changer.

3. Pour démonter la lampe, dévissez la vis-guide spéciale située sur le haut de la bague avant, sortez la lampe de la niche, et mettez-la sur le bord de la piscine. Il n'est pas nécessaire de vider la piscine ou le spa. Voir la Figure 1.

| Modèle Jandy | Tension du luminaire | Tension de la lampe | Puissance de la lampe | Type de lampe | Qté. par lampe | Numéro de pièce du kit de lampe |
|------------------------------|----------------------|---------------------|-----------------------|---------------|----------------|---------------------------------|
| Lampe blanche de piscine/spa | 12 Volts CA | 12V | 100 Watts | R20 Flood | 1 | R0450501 |
| Lampe blanche de piscine | 120 Volt CA | 120V | 300 Watts | R40 Flood | 1 | R0450502 |
| Lampe blanche de piscine | 12 Volts CA | 12V | 300 Watts | R40 Flood | 1 | R0450503 |
| Lampe blanche de piscine | 120 Volt CA | 120V | 500 Watts | R40 Flood | 1 | R0450504 |
| Lampe blanche de spa | 120 Volt CA | 120V | 60 Watts | R20 Flood | 1 | R0450505 |

Tableau 1. Caractéristiques techniques de la lampe

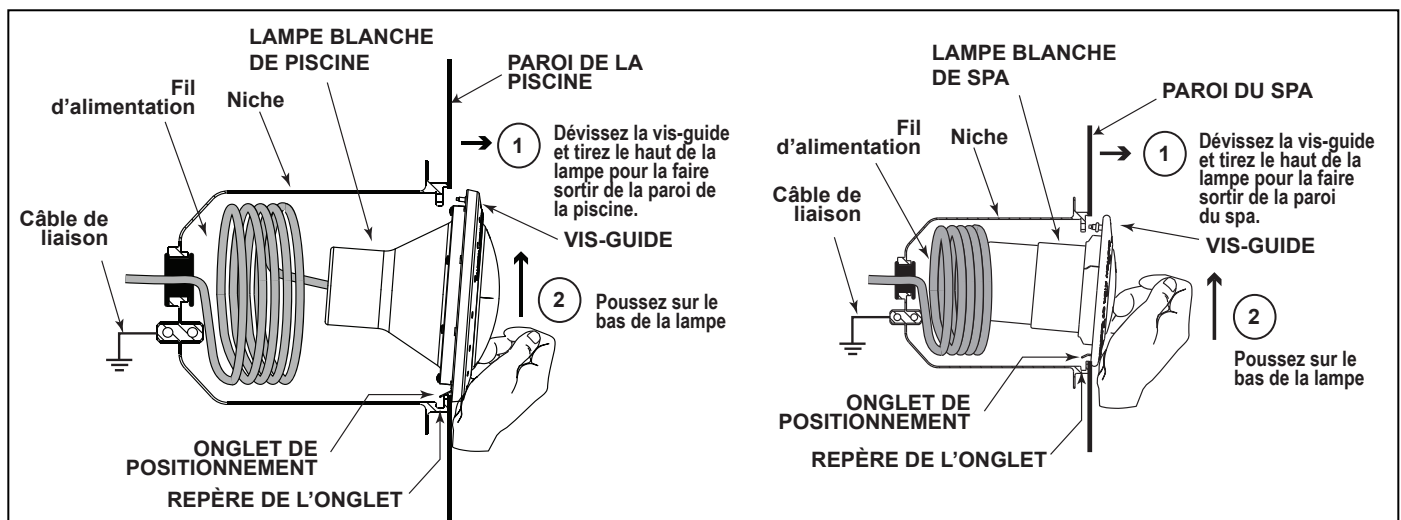


Figure 1. Démontage de la lampe blanche de piscine et de spa pour son remplacement

4. Démontez le luminaire et remplacez la lampe comme suit.

AVERTISSEMENT

Gardez bien la vis-guide de cette lampe immergée. Cette vis maintient solidement et relie à la terre électriquement le boîtier dans la bague de montage et dans la niche sous l'eau. Ne pas utiliser cette vis peut créer un danger électrique pouvant causer la mort par décharge électrique ou des blessures graves aux utilisateurs ou à l'installateur de la piscine ou du spa, ou à des tiers, et pouvant également provoquer des dégâts matériels.

- a. Desserrez les huit (8) vis cruciformes de la lampe de piscine ou les six (6) vis cruciformes de la lampe de spa pour pouvoir retirer le crochet-support du bas de la bague avant. Ne retirez ni les vis, ni la bague avant. Les bagues de retenue empêchent les vis de tomber du crochet-support supérieur et facilitent la manipulation de la lampe.
- b. Retirez le crochet-support du bas, la bague avant, le verre de protection et le joint de la lampe. Retirez le joint du verre de protection. Reportez-vous à la section 4, *Vue éclatée et pièces de rechange*.
- c. Installez la nouvelle lampe.

AVERTISSEMENT

Risque de choc électrique ou d'électrocution. Utilisez toujours un nouveau joint de verre de protection à chaque remontage de la lampe (joint de lampe de piscine Jandy Réf. R0451101 et joint de lampe de spa Jandy Réf R0400501). Tout manquement à cette consigne peut entraîner une fuite d'eau à l'intérieur de la lampe ce qui pourrait provoquer :

- (a) danger électrique pouvant entraîner la mort par décharge électrique ou des blessures graves aux usagers ou les installateurs du spa ou de la piscine ou des tiers, ou
- (b) le bris du verre de protection de la lampe qui pourrait également blesser grièvement les utilisateurs et les installateurs du spa ou de la piscine ainsi que des personnes se trouvant à proximité et causer des dommages matériels.

5. Réassemblez la lampe comme suit :
 - a. Si ce n'est pas encore fait, retirez le joint du verre de protection et installez un joint neuf, **Joint de lampe de piscine Jandy** (P/N R0451101) et **Joint de lampe de spa Jandy** (P/N R0400501), sur le verre de protection.

REMARQUE Il faut utiliser un nouveau joint à chaque nouvel assemblage de la lampe.

- b. En maintenant la lampe debout, placez le verre de protection et le joint sur la lampe. Veuillez noter que le joint du verre de protection n'est pas symétrique. Il doit donc être installé de telle sorte que le verre soit monté de façon étanche sur le boîtier de la lampe. Placez le joint sur le verre de protection de telle sorte que le côté épais moulé du joint s'encastre dans le boîtier une fois le verre protecteur installé. Voir la Figure 8.
- c. Positionnez le verre de protection et le joint sur la lampe. Placez la bague avant et le crochet-support sur le verre de protection et mettez la vis-guide en face de la petite flèche qui se trouve sur le devant du verre de protection. Notez que la petite flèche qui se trouve devant le verre de protection et que la vis-guide de la bague avant doivent être alignée avec la flèche de l'étiquette de la lampe indiquant « La flèche de cette étiquette doit être mise en face de la vis-guide de la bague avant ». Voir la Figure 2.
- d. Tout en tenant la bague avant et la lampe bien positionnées l'une par rapport à l'autre, renversez la lampe et posez-la sur l'ancien joint en utilisant ce dernier pour maintenir la lampe. Cela empêchera le verre de protection et le joint de sortir de la bague avant pendant que vous les fixez dans la lampe.
- e. Répartissez le crochet-support du bas sur le câble électrique et faites-le glisser à l'arrière de la lampe sur le crochet-support du haut. Voir la Figure 2.
- f. Serrez les huit (8) vis cruciformes de la lampe de piscine ou les six (6) vis cruciformes de la lampe de spa en serrant tour à tour les vis qui sont en face l'une de l'autre. Serrez les vis à environ 20 po-lbs (2,2 Nm). Ne les serrez pas plus qu'il ne faut.
- g. Jetez l'ancien joint.
6. Remplacez la lampe Jandy dans la niche.
 - a. Enroulez quatre pieds (122 cm) de câble autour de la lampe et placez la lampe dans la niche.
 - b. Engagez la languette de retenue qui se trouve en bas de la bague avant, faites pivoter le haut de la lampe vers l'intérieur et serrez la vis-guide spéciale.

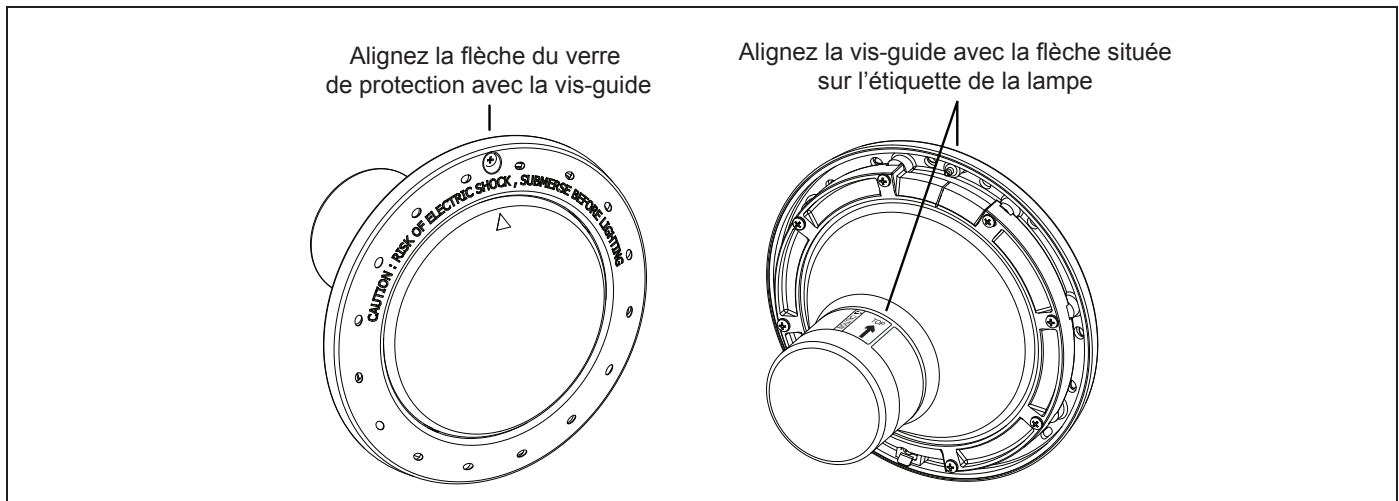


Figure 2. Alignement du verre de protection, de la bague avant, du boîtier et des crochets supports des lampes blanches de piscine

⚠ AVERTISSEMENT

N'utilisez que la vis-guide spéciale fournie avec cette lampe immergée. Cette vis maintient solidement et relie à la terre électriquement le boîtier dans la bague de montage et dans la niche sous l'eau. Ne pas utiliser cette vis peut créer un danger électrique pouvant causer la mort par décharge électrique ou des blessures graves aux utilisateurs ou à l'installateur de la piscine ou du spa, ou à des tiers, et pouvant également provoquer des dégâts matériels.

- Si la piscine ou le spa sont vides, remplissez-les jusqu'à ce que la lampe soit complètement immergée, avant d'allumer celle-ci pendant plus de 10 secondes. Allumez l'interrupteur ou le disjoncteur principal ainsi que l'interrupteur qui commande spécifiquement la lampe immergée pour vous assurer qu'elle fonctionne bien.

⚠ AVERTISSEMENT

Ne faites jamais fonctionner cette lampe immergée durant plus de 10 secondes si elle n'est pas totalement immergée. Si elle n'est pas totalement sous l'eau, la lampe va devenir extrêmement chaude, ce qui risquerait de vous brûler sévèrement ou de causer une défaillance de la lampe ou du verre de protection. Cela pourrait blesser grièvement les usagers ou les installateurs du spa et de la piscine, ou toute autre personne se tenant à proximité, et pourrait causer des dommages matériels.

Section 4. Vue éclatée et pièces de rechange

4.1 Lampe blanche de piscine Jandy

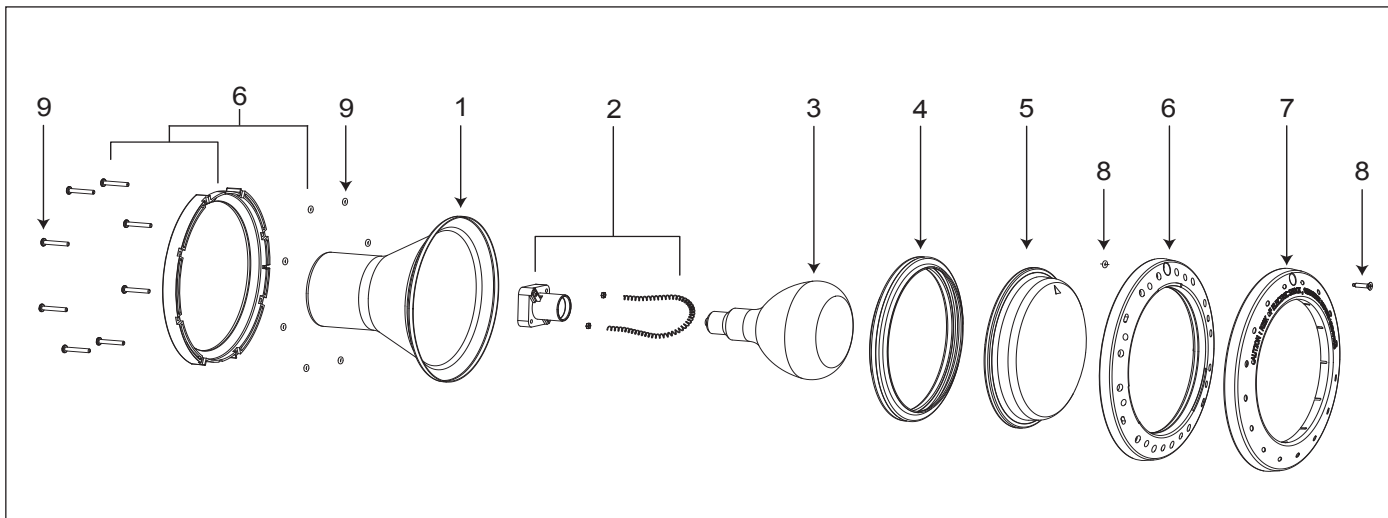


Figure 3. Vue éclatée de la lampe blanche de piscine Jandy

| N° DWG | N° pièce | Description | Remplaçable par le client |
|--------|----------|--|----------------------------------|
| 1 | S/O | Boîtier de la lampe de piscine | NON – Achetez une nouvelle lampe |
| 2 | S/O | Support pour lampe | NON – Achetez une nouvelle lampe |
| 3 | R0450501 | Lampe, 100 Watts, 12 Volts | OUI |
| 3 | R0450502 | Lampe, 300 Watts, 120 Volts | OUI |
| 3 | R0450503 | Lampe, 300 Watts, 12 Volts | OUI |
| 3 | R0450504 | Lampe, 500 Watts, 120 Volts | OUI |
| 4 | R0451101 | Joint en silicone, lampe de piscine | OUI |
| 5 | R0450601 | Verre de protection, lampe de piscine | OUI |
| 6 | R0450701 | Crochet-support, lampe de piscine | OUI |
| 7 | R0450801 | Bague avant en acier inoxydable (AI), lampe de piscine | OUI |
| 7 | R0450802 | Bague avant en plastique blanc, lampe de piscine | OUI |
| 7 | R0450803 | Bague avant en plastique blanc, lampe de piscine | OUI |
| 7 | R0450804 | Bague avant en plastique gris, lampe de piscine | OUI |
| 8 | R0450901 | Vis-guide avec dispositif de retenue, lampe de piscine | OUI |
| 9 | R0451001 | Vis du crochet-support (8 vis et 8 disques de retenue), lampe de piscine | OUI |

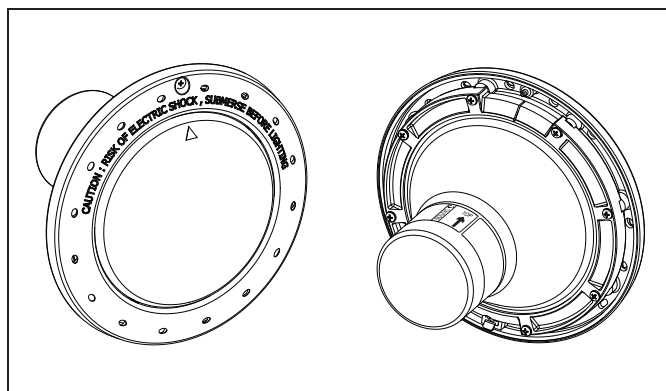


Figure 4. Lampe blanche de piscine Jandy, vues avant et arrière

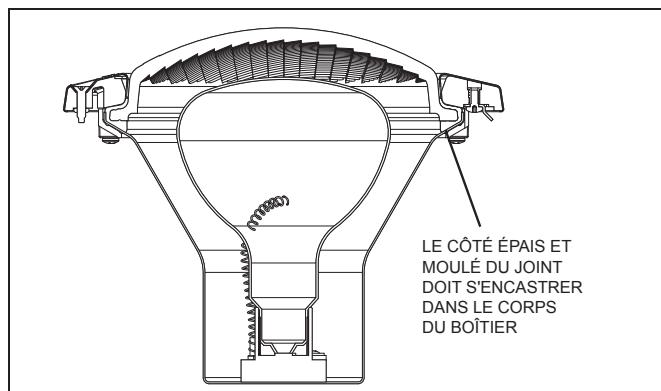


Figure 5. Vue en coupe de la lampe blanche de piscine Jandy

4.2 Lampe blanche de spa Jandy

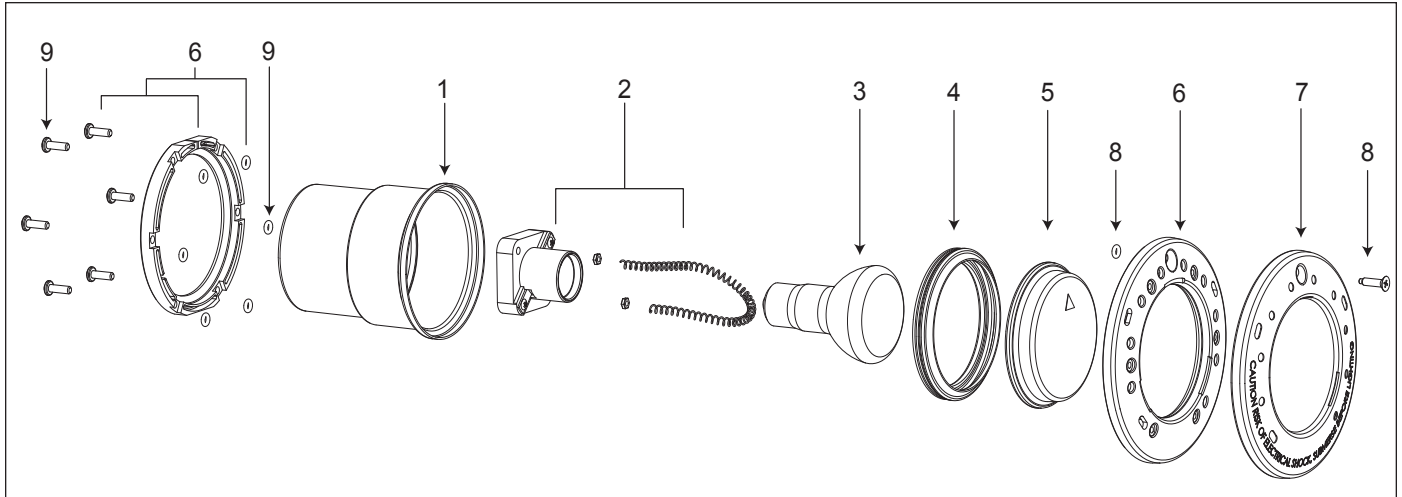


Figure 6. Lampe blanche de spa Jandy, vue éclatée

| N° DWG | N° pièce | Description | Remplaçable par le client |
|--------|----------|--|----------------------------------|
| 1 | S/O | Boîtier de la lampe de spa | NON – Achetez une nouvelle lampe |
| 2 | S/O | Support pour lampe | NON – Achetez une nouvelle lampe |
| 3 | R0450501 | Lampe, 100 Watts, 12 Volts | OUI |
| 3 | R0450505 | Lampe, 60 Watts, 120 Volts | OUI |
| 4 | R0400501 | Joint en silicone, lampe de spa | OUI |
| 5 | R0400601 | Verre de protection, lampe de spa | OUI |
| 6 | R0451201 | Crochet-support, lampe de spa | OUI |
| 7 | R0451301 | Bague avant en acier inoxydable (AI), lampe de spa | OUI |
| 7 | R0451302 | Bague avant en plastique blanc, lampe de spa | OUI |
| 7 | R0451303 | Bague avant en plastique noir, lampe de spa | OUI |
| 7 | R0451304 | Bague avant en plastique gris, lampe de spa | OUI |
| 7 | R0451305 | Bague avant, ensemble plastique, lampe de spa | OUI |
| 8 | R0450901 | Vis-guide avec dispositif de retenue, lampe de spa | OUI |
| 9 | R0451401 | Vis du crochet-support (6 vis et 6 disques de retenue), lampe de spa | OUI |

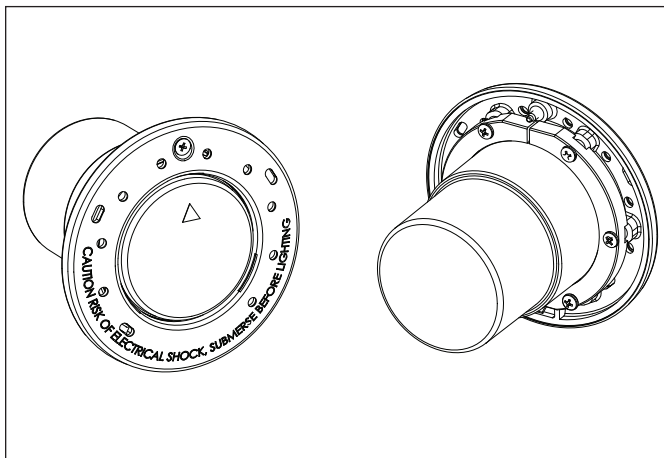


Figure 7. Lampe blanche de spa Jandy, vues avant et arrière

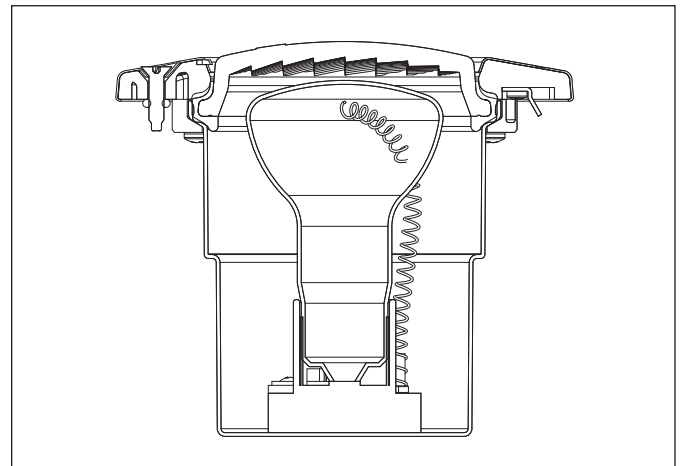


Figure 8. Vue en coupe de la lampe blanche de spa Jandy

REMARQUES

REMARQUES



Intertek

LISTÉ ETL CONFORME AUX NORMES UL STD 676

Certifié aux normes CAN/CSA C22.2 N. 89

Zodiac Pool Systems, Inc.

2620 Commerce Way, Vista, CA 92081

1.800.822.7933 | www.ZodiacPoolSystems.com

©2014 Zodiac Pool Systems, Inc. ZODIAC® is a registered trademark of Zodiac International, S.A.S.U., used under license. All trademarks referenced herein are the property of their respective owners.

H0312300 Rev B



Jandy Pro Series Luces blancas subacuáticas para piscinas y spas

ADVERTENCIA

PARA SU SEGURIDAD - Este producto debe ser instalado y mantenido por un contratista con licencia y calificaciones para equipos para piscinas otorgadas por la jurisdicción donde se instalará el producto en caso de que existan tales requisitos estatales o locales. En caso de que no existan tales requisitos estatales o locales, la persona que realice el mantenimiento debe ser un profesional con experiencia en la instalación y el mantenimiento de equipos para piscinas de manera que pueda seguir las instrucciones de este manual al pie de la letra. Antes de instalar este producto, lea y siga todas las instrucciones y preste atención a las advertencias en el manual adjunto. No prestar la debida atención a las advertencias e instrucciones puede ocasionar daños a la propiedad, lesiones personales e incluso la muerte. La instalación y la operación incorrectas será causa de anulación de la garantía.

Índice

| | |
|---|-----------|
| Sección 1. Información importante de seguridad..... | 28 |
| Sección 2. Instrucciones de operación | 29 |
| 2.1 Para utilizar la luz | 29 |
| Sección 3. Reemplazo de la lámpara..... | 29 |
| Sección 4. Plano de despiece y piezas de repuesto..... | 32 |
| 4.1 Luz blanca Jandy para piscinas | 32 |
| 4.2 Luz blanca Jandy para spas..... | 33 |

Figuras y tablas

| | | | |
|---|----|---|----|
| Figura 1. Extracción del conjunto de la luz blanca para piscinas y spas para reemplazar la lámpara | 29 | Tabla 1. Especificaciones de la lámpara | 29 |
| Figura 2. Alineación del lente, el aro frontal, el compartimento y las abrazaderas de las luces blancas para piscinas | 31 | | |
| Figura 3. Plano de despiece de la luz blanca Jandy para piscinas | 32 | | |
| Figura 4. Luz blanca Jandy para piscinas, plano frontal y trasero | 32 | | |
| Figura 5. Plano transversal de la luz blanca Jandy para piscinas..... | 32 | | |
| Figura 6. Plano de despiece de la luz blanca Jandy para spas..... | 33 | | |
| Figura 7. Luz blanca Jandy para spas, plano frontal y trasero | 33 | | |
| Figura 8. Plano transversal de la luz blanca Jandy para spas..... | 33 | | |

Sección 1. Información importante de seguridad

INSTRUCCIONES IMPORTANTES DE SEGURIDAD REFERENTES AL RIESGO DE INCENDIO, DESCARGA ELÉCTRICA O LESIONES A PERSONAS

LEA Y SIGA ESTAS INSTRUCCIONES

Cuando se instale y se utilice este equipo eléctrico, siempre se deben tener en cuenta todas las medidas de seguridad básicas, además de:

⚠ ADVERTENCIA

RIESGO DE DESCARGAS ELÉCTRICAS O ELECTROCUCIÓN Un electricista certificado o con licencia debe instalar esta luz subacuática, de acuerdo al Código Eléctrico Nacional (NEC®) en EE.UU., el Código Eléctrico Canadiense (CEC®) si la instalación se hiciera en Canadá y las demás normas y ordenanzas locales correspondientes. La instalación incorrecta significará un riesgo eléctrico que puede provocar descargas eléctricas y dañar la propiedad, o causar la muerte o lesiones graves a los usuarios de la piscina o el spa, los instaladores u otras personas. Lea y siga las instrucciones específicas a continuación.

⚠ ADVERTENCIA

Antes de instalar esta luz subacuática, lea, siga las instrucciones y preste atención a las advertencias que vienen con el producto. No seguir las instrucciones ni prestar la debida atención a las advertencias puede ocasionar daños a la propiedad, lesiones graves y hasta la muerte. Llame al (800) 822-7933 para obtener copias adicionales y gratuitas de las instrucciones.

⚠ PRECAUCIÓN

Excepto cuando las luces Jandy para piscinas y spas estén instaladas en una zona de la piscina donde no se utiliza para nadar, y el lente se encuentre protegido correctamente para evitar el contacto de cualquier persona, se deberá instalar la luz en o sobre la pared de la piscina, con la parte superior abierta no menos de 18 pulgadas (457 mm) por debajo del nivel de agua normal de la piscina.



ATENCIÓN PERSONA ENCARGADA DE LA INSTALACIÓN: Este manual contiene información importante sobre la instalación, la operación y el uso seguro de este producto. Esta información debe ser entregada al dueño u operador de este equipo.

AVISO

Las luces Jandy para piscinas o spas se pueden instalar en agua dulce o no dulce. Es importante asegurarse de que los nichos donde instalará las luces sean los apropiados para la aplicación, ya sea en agua dulce o no dulce.

GUARDE ESTAS INSTRUCCIONES

Sección 2. Instrucciones de operación

2.1 Para utilizar la luz

Active la luz ya sea encendiendo el interruptor, instalando un programa o presionando el botón en el controlador de una piscina o spa.

2. Asegúrese de contar con los siguientes artículos:

- **Empaquetadura nueva para el lente (P/N R0451101 para luces Jandy para piscinas y P/N R0400501 para luces Jandy para spas).**
- Una (1) lámpara nueva. Véase la Tabla 1 para las especificaciones.

Sección 3. Reemplazo de la lámpara

⚠ ADVERTENCIA

Antes de realizar el mantenimiento de la luz, desconecte siempre la fuente de alimentación de la luz en el disyuntor de la piscina o del spa. De lo contrario, podría generar descargas eléctricas y provocar la muerte o lesiones graves a la persona encargada de la instalación o mantenimiento, los usuarios de la piscina o el spa.

⚠ ADVERTENCIA

Reemplace la lámpara con una del mismo tipo y voltaje. De lo contrario, dañará el conjunto de la luz y puede generar descargas eléctricas y dañar la propiedad, o provocar lesiones graves o la muerte de los usuarios de la piscina o el spa, las personas encargadas de la instalación. Asegúrese de que la fuente de alimentación esté APAGADA (OFF) antes de retirar o instalar las lámparas. Deje que la lámpara se enfríe antes de reemplazarla.

1. Apague el interruptor eléctrico principal o el disyuntor, además del interruptor que hace operar la luz subacuática.

3. Para retirar el conjunto de la luz, desatornille el tornillo piloto especial en la parte superior del aro frontal, retire el conjunto de la luz del nicho y colóquelo cuidadosamente en el perímetro exterior de la piscina. No es necesario vaciar la piscina o el spa. Véase Figura 1.

| Modelo Jandy | Voltaje | Lámpara Voltaje | Lámpara Vataje | Tipo de lámpara | Cant. por luz | Número de pieza del kit de la lámpara |
|---------------------------------|---------------|-----------------|----------------|-----------------|---------------|---------------------------------------|
| Luz blanca para piscinas y spas | 12 voltios CA | 12V | 100 vatios | Intensiva R20 | 1 | R0450501 |
| Luz blanca para piscinas | 12 voltios CA | 120V | 300 vatios | Intensiva R40 | 1 | R0450502 |
| Luz blanca para piscinas | 12 voltios CA | 12V | 300 vatios | Intensiva R40 | 1 | R0450503 |
| Luz blanca para piscinas | 12 voltios CA | 120V | 500 vatios | Intensiva R40 | 1 | R0450504 |
| Luz blanca para spas | 12 voltios CA | 120V | 60 vatios | Intensiva R20 | 1 | R0450505 |

Tabla 1. Especificaciones de la lámpara

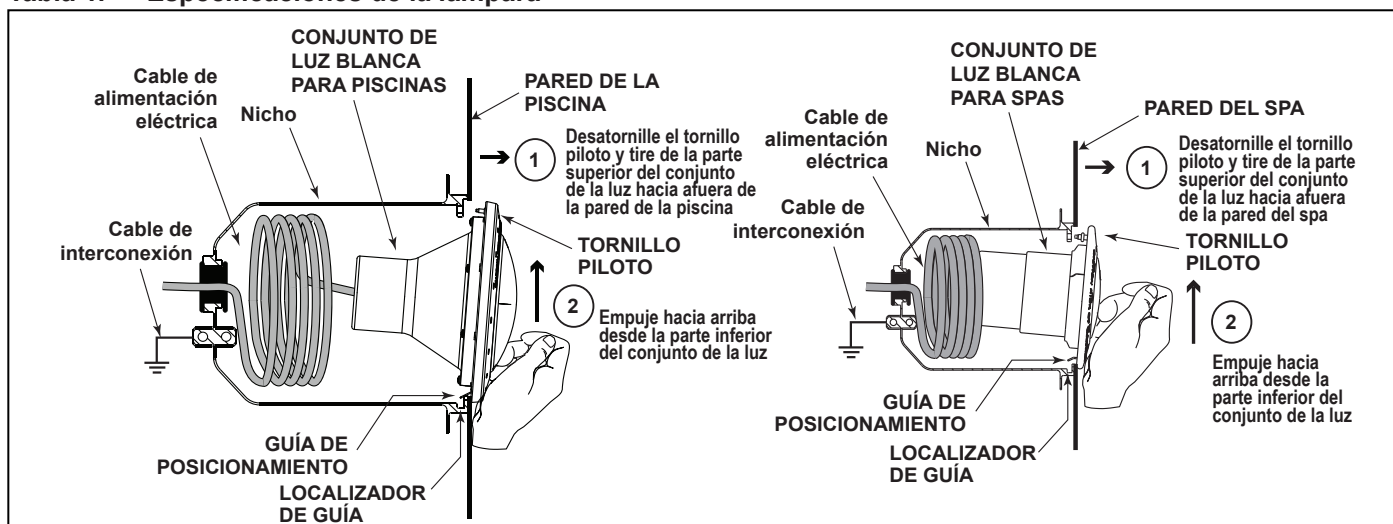


Figura 1. Extracción del conjunto de la luz blanca para piscinas y spas para reemplazar la lámpara

4. Desarme el conjunto de la luz y reemplace la lámpara como se muestra a continuación:

ADVERTENCIA

Asegúrese de guardar el tornillo piloto especial de esta luz subacuática. Este tornillo monta y establece una conexión a tierra segura entre el compartimento y el anillo de montaje y el nicho. Toda falla que surgiera durante la utilización del tornillo, esto podría generar una descarga eléctrica y provocar lesiones graves o la muerte de los usuarios de la piscina o el spa o las personas encargadas de la instalación.

- a. Afloje los ocho (8) tornillos Phillips para la luz de la piscina o los seis (6) tornillos Phillips para la luz del spa para poder retirar la abrazadera inferior del conjunto del aro frontal. No retire los tornillos de los aros de retención. Los aros de retención evitan que los tornillos se caigan de la abrazadera superior y facilitan el ensamblaje.
- b. Retire la abrazadera inferior, el conjunto del aro frontal, el lente de vidrio y la empaquetadura de la luz. Retire la empaquetadura del lente. Véase la *Sección 4, Plano de despiece y piezas de repuesto*.
- c. Instalar una lámpara nueva.

ADVERTENCIA

Riesgo de descargas eléctricas o electrochoques.

Siempre instale una empaquetadura nueva en el lente al retirar el conjunto de la luz (**empaquetadura para luces Jandy para piscinas** P/N R0451101 y **empaquetadura para luces Jandy para spas** P/N R0400501). De lo contrario, puede provocar fugas de agua en el conjunto, que resultaría en:

- (a) Una descarga eléctrica que causaría la muerte o lesiones graves a los usuarios de la piscina o el spa, a las personas encargadas de la instalación, o
- (b) Rotura de la lámpara o el lente, que también causaría lesiones graves a los usuarios de la piscina o el spa, a las personas encargadas de la instalación, a las personas alrededor o bien, daños a la propiedad.

5. Vuelva a ensamblar la luz como se muestra a continuación:
- a. Si aún no lo ha hecho, retire la empaquetadura del lente de vidrio e instale una nueva **empaquetadura para luces Jandy para piscinas** (P/N R0451101) y **empaquetadura para luces Jandy para spas** (P/N R0400501), en el lente.

NOTA Se debe utilizar una empaquetadura de lente nueva cada vez que la luz se vuelve a armar.

- b. Mientras sostiene la luz hacia arriba, coloque el lente de vidrio con la empaquetadura encima de la luz. Tenga en cuenta que la empaquetadura del lente no tiene forma simétrica. Por eso, se debe instalar correctamente de manera que el lente quede sellado en el compartimento de la luz. Coloque la empaquetadura sobre el lente de manera que el lado grueso de la empaquetadura se acople al compartimento durante la instalación del lente. Véase Figura 5.
 - c. Coloque el lente y la empaquetadura sobre el conjunto de la luz. Coloque el aro frontal y la abrazadera superior sobre el lente, y alinee el tornillo piloto con la marca de la flecha pequeña en la cara del lente. Tenga en cuenta que la marca de la flecha pequeña sobre la cara del lente y el tornillo piloto del aro frontal deben estar alineados con la flecha ubicada en la etiqueta de la luz que dice, “Arrow on this label must line up with the pilot screw on the Face Ring” (la flecha en esta etiqueta debe estar alineada con el tornillo piloto del aro frontal). Véase Figura 2.
 - d. Mientras sostiene el conjunto del aro frontal alineado y la luz juntos, dele vuelta al conjunto y colóquelo sobre la empaquetadura vieja, usándola como ayuda para el ensamblado. Esto evitará que el conjunto del lente y la empaquetadura salgan expulsados del aro frontal mientras se aseguran a la luz.
 - e. Posicione la abrazadera inferior sobre el cable de electricidad y deslícela hacia la parte trasera de la luz y hacia la abrazadera superior. Véase Figura 2.
 - f. Ajuste los ocho (8) tornillos Phillips para luces de piscina o los seis (6) tornillos Phillips para luces de spa haciendo la instalación en forma de cruz y alternando. Apriete los tornillos aproximadamente a 20 pulgadas libras. No apriete demasiado.
 - g. Desáhagase de la vieja empaquetadura.
6. Vuelva a instalar la luz Jandy en el conjunto del nicho.
- a. Enrolle cuatro (4) pies de cable alrededor de la luz y coloque el conjunto en el nicho.
 - b. Enganche la brida de retención a la parte inferior del aro frontal, luego gire la parte superior de la luz hacia adentro y apriete el tornillo piloto especial.

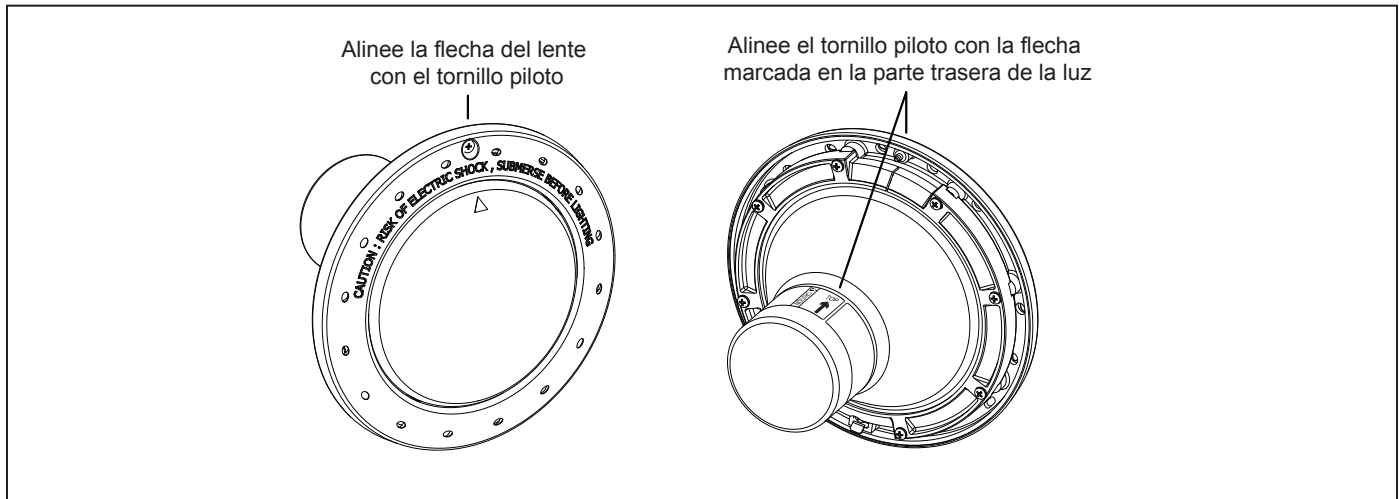


Figura 2. Alineación del lente, el aro frontal, el compartimento y las abrazaderas de las luces blancas para piscinas

⚠ ADVERTENCIA

Utilice los tornillos piloto especiales que vienen con esta luz subacuática. Este tornillo monta y establece una conexión a tierra segura entre el compartimento y el anillo de montaje y el nicho. Toda falla que surgiera durante la utilización del tornillo, esto podría generar una descarga eléctrica y provocar lesiones graves o la muerte de los usuarios de la piscina o el spa o las personas encargadas de la instalación.

7. Si la piscina o el spa están vacíos, llénelos hasta que la luz subacuática quede totalmente sumergida en el agua antes de poner a funcionar la luz durante más de 10 segundos. Encienda el interruptor principal o disyuntor, además del interruptor, que hace operar la luz subacuática para verificar el funcionamiento correcto.

⚠ ADVERTENCIA

Nunca opere esta luz subacuática por más de 10 segundos a menos que esté completamente sumergida en el agua. De lo contrario, el conjunto de la luz se calentará demasiado lo que podría provocar quemaduras graves o la rotura de la lámpara o el lente. Esto puede dañar la propiedad o resultar en lesiones graves a los usuarios de la piscina o el spa, las personas encargadas de la instalación, o las personas que permanecieran cerca.

Sección 4. Plano de despiece y piezas de repuesto

4.1 Luz blanca Jandy para piscinas

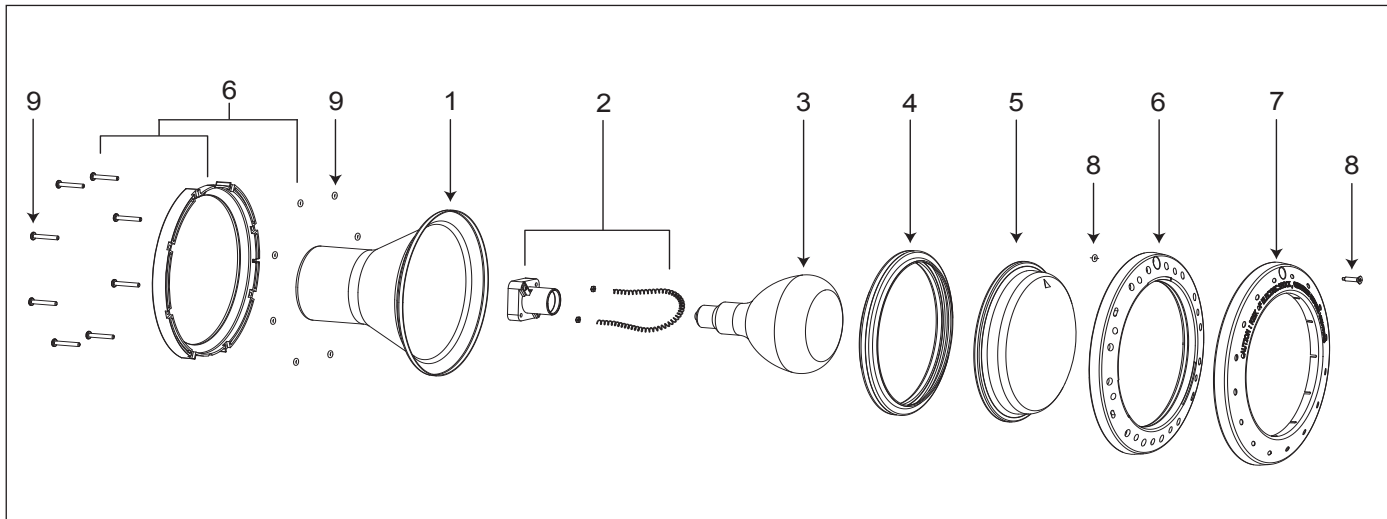


Figura 3. Plano de despiece de la luz blanca Jandy para piscinas

| DWG N° | Pieza N° | Descripción | Reemplazables en el lugar |
|--------|----------|---|------------------------------------|
| 1 | ND | Compartimento de luz para piscinas | <i>NO – Adquiera una luz nueva</i> |
| 2 | ND | Portalámparas | <i>NO – Adquiera una luz nueva</i> |
| 3 | R0450501 | Lámpara, 100 vatios, 12 voltios | SÍ |
| 3 | R0450502 | Lámpara, 300 vatios, 120 voltios | SÍ |
| 3 | R0450503 | Lámpara, 300 vatios, 12 voltios | SÍ |
| 3 | R0450504 | Lámpara, 500 vatios, 120 voltios | SÍ |
| 4 | R0451101 | Empaquetadura de silicona, Luz para piscinas | SÍ |
| 5 | R0450601 | Lentes de vidrio, Luz para piscinas | SÍ |
| 6 | R0450701 | Conjunto de abrazadera, Luz para piscinas | SÍ |
| 7 | R0450801 | Aro frontal, Acero inoxidable (AI), Luz para piscinas | SÍ |
| 7 | R0450802 | Aro frontal, Plástico, Blanco, Luz para piscinas | SÍ |
| 7 | R0450803 | Aro frontal, Plástico, Negro, Luz para piscinas | SÍ |
| 7 | R0450804 | Aro frontal, Plástico, Gris, Luz para piscinas | SÍ |
| 8 | R0450901 | Tornillo piloto, con sujetador, Luz para piscinas | SÍ |
| 9 | R0451001 | Tornillo de presión (8 tornillos y 8 sujetadores) Luz para piscinas | SÍ |

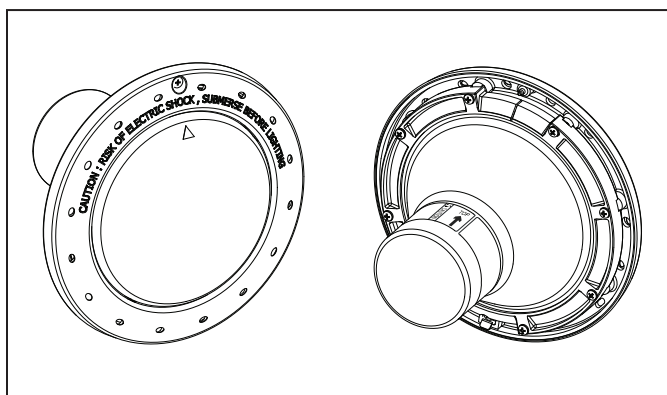


Figura 4. Luz blanca Jandy para piscinas, plano frontal y trasero

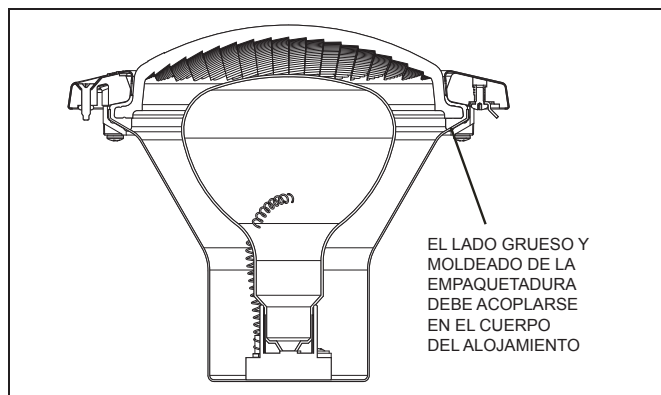


Figura 5. Plano transversal de la luz blanca Jandy para piscinas

4.2 Luz blanca Jandy para spas

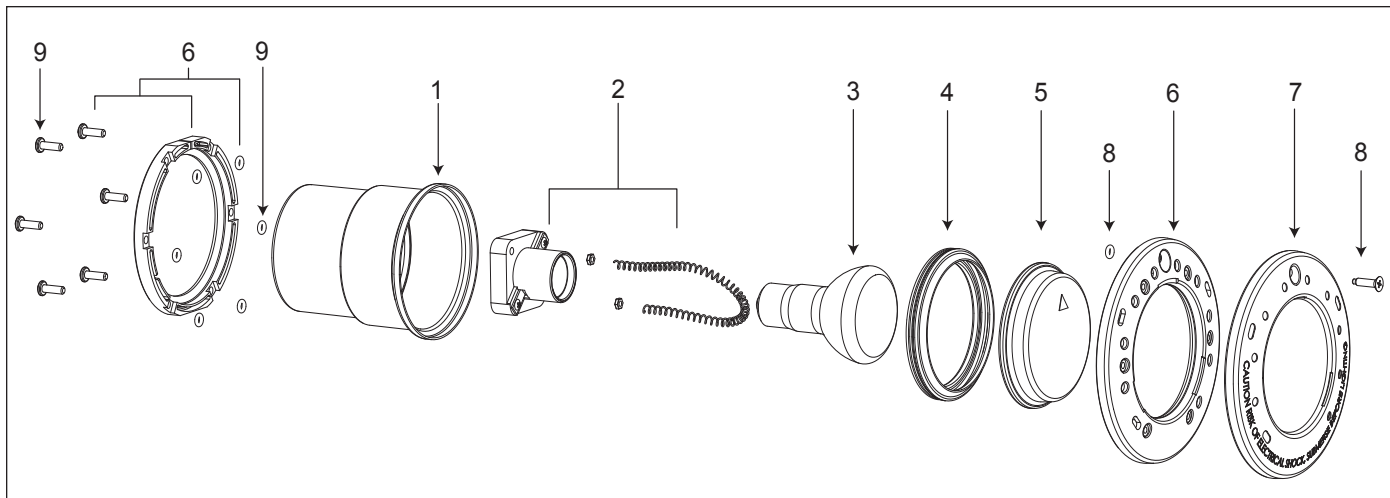


Figura 6. Plano de despiece de la luz blanca Jandy para spas

| DWG N° | Pieza N° | Descripción | Reemplazables en el lugar |
|--------|----------|---|-----------------------------|
| 1 | ND | Compartimento de la luz del spa | NO – Adquiera una luz nueva |
| 2 | ND | Portalámparas | NO – Adquiera una luz nueva |
| 3 | R0450501 | Lámpara, 100 vatios, 12 voltios | SÍ |
| 3 | R0450505 | Lámpara, 60 vatios, 120 voltios | SÍ |
| 4 | R0400501 | Empaquetadura de silicona, Luz para spas | SÍ |
| 5 | R0400601 | Lentes de vidrio, Luz para spas | SÍ |
| 6 | R0451201 | conjunto de abrazadera, Luz para spas | SÍ |
| 7 | R0451301 | Aro frontal, Acero inoxidable (AI), Luz para spas | SÍ |
| 7 | R0451302 | Aro frontal, Plástico, Blanco, Luz para spas | SÍ |
| 7 | R0451303 | Aro frontal, Plástico, Negro, Luz para spas | SÍ |
| 7 | R0451304 | Aro frontal, Plástico, Gris, Luz para spas | SÍ |
| 7 | R0451305 | Aro frontal, Set de plástico, Luz para spas | SÍ |
| 8 | R0450901 | Tornillo piloto, Junta tórica, Luz para spas | SÍ |
| 9 | R0451401 | Tornillo de presión (6 tornillos y 6 sujetadores) Luz para spas | SÍ |

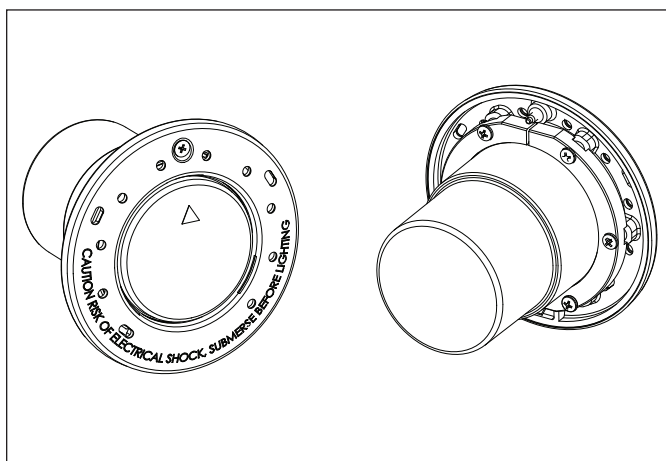


Figura 7. Luz blanca Jandy para spas, plano frontal y trasero

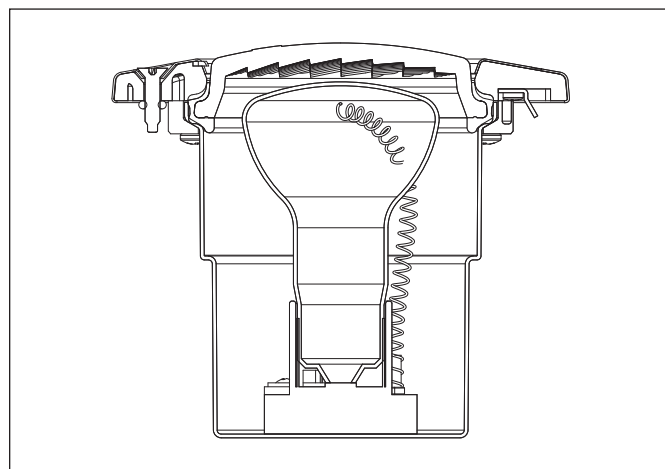


Figura 8. Plano transversal de la luz blanca Jandy para spas

NOTAS

NOTAS



Intertek

LA MARCA "ETL LISTED" SIGNIFICA QUE OBSERVA LAS NORMAS "UL STD 676"

Certificado por CAN/CSA (Asociación de Normas de Canadá) C22.2 N° 89

Zodiac Pool Systems, Inc.

2620 Commerce Way, Vista, CA 92081

1.800.822.7933 | www.ZodiacPoolSystems.com

©2014 Zodiac Pool Systems, Inc. ZODIAC® es una marca registrada de Zodiac International, S.A.S.U., utilizada bajo licencia. Todas las marcas registradas mencionadas en este documento son propiedad de sus respectivos propietarios.

H0312300 Rev B