

Water Feature  
Pump



Waterfall  
Pump



Jandy®

**POWER YOUR  
BACKYARD  
MASTERPIECE**





**Water features** and **waterfalls** add excitement and drama to the backyard experience, and Jandy® Specialty Pumps provide the power and performance to bring your masterpiece to life.

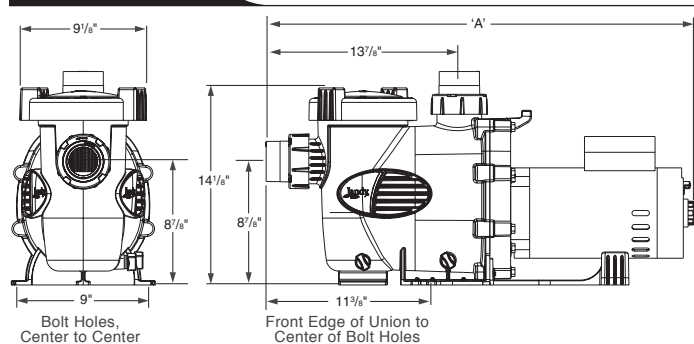
Specially designed features integrated into each Jandy pump ensure quiet operation and hassle-free maintenance, so no matter how basic or complex your needs, we have a solution that is right for you.



## Water Feature Pump

Ideally Suited for Sheer Descent Waterfalls, Laminar Jets and Deck Jets.

### DIMENSIONS



### SPECIFICATIONS

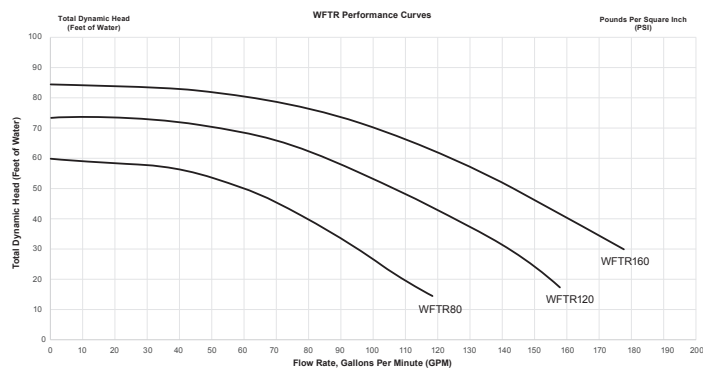
Residential Water Feature Pumps, Not DOE Compliant\*

Model No.	THP	WEF	GPM	Voltage	Amps	Recommended Pipe Size	Carton weight	Overall Length 'A'
WFTR80	1.25	-	80 GPM	230/115	5.4/10.8	1 1/2-2"	40.6 lbs	29 1/4"
WFTR120	1.65	-	120 GPM	230/115	8.0/16	2-2 1/2"	42.6 lbs	29 1/4"
WFTR160	2.60	-	160 GPM	230	11.5	2 1/2-3"	48.6 lbs	30"

When installing the pump, leave a minimum of 2 ft. of clearance above the pump for removal of strainer basket.

\* Pumps not meeting DOE compliance standards will cease manufacturing on or before July 18, 2021 and are available while supplies last after that date. Specifications are being provided for historical reference.

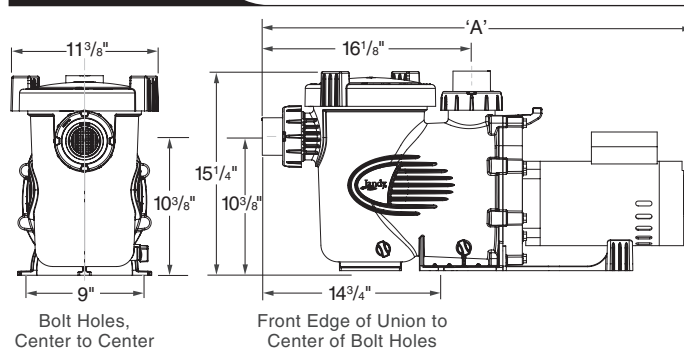
### PERFORMANCE



## Waterfall Pump

High Flow, Low Head pumps that operate at 1750 RPM. Perfect for Natural Waterfalls and Grottoes.

### DIMENSIONS



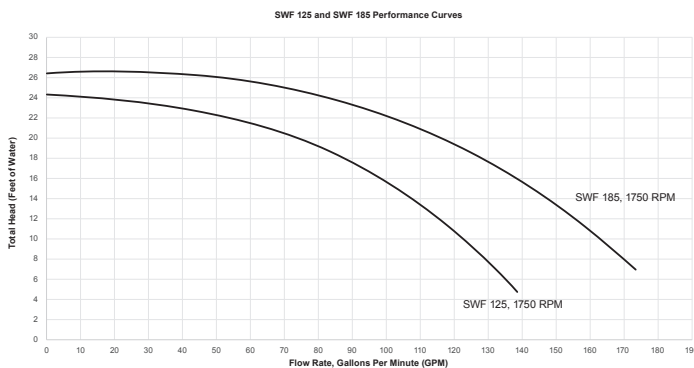
### SPECIFICATIONS

Residential Waterfall Pumps, DOE Compliant

Model No.	THP	WEF	Voltage	Amps	Recommended Pipe Size	Carton weight	Overall Length 'A'
SWF125	0.65	7.6	230/115	4.8/9.6	3-4"	48 lbs	33.25"
SWF185	1.25	7.5	230/115	6.0/12.0	3-4"	56 lbs	34.5"

When installing pump provide the following: 1) a minimum of 2 ft. of clearance above the pump for removal of strainer basket and 2) a minimum of 8" of clearance behind the motor for removal of motor.

### PERFORMANCE



Jandy.com | 1.800.822.7933

©2021 Zodiac Pool Systems LLC. All rights reserved. ZODIAC® is a registered trademark of Zodiac International, S.A.S.U., used under license. All other trademarks are the property of their respective owners. 9105\_SL



Intertek