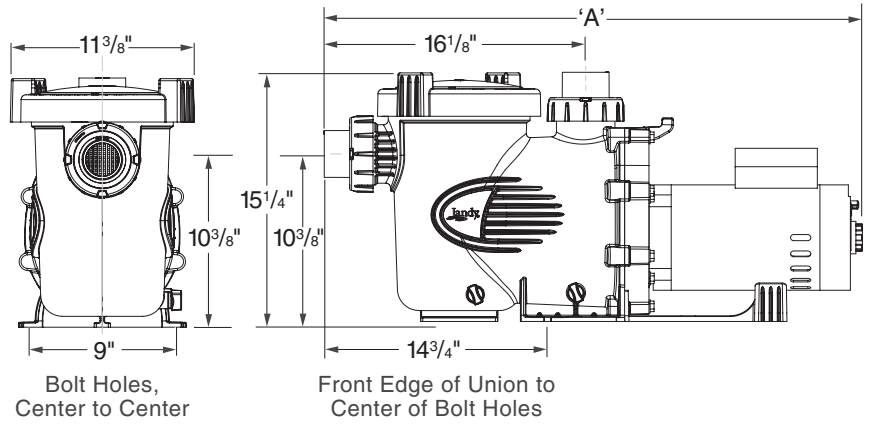
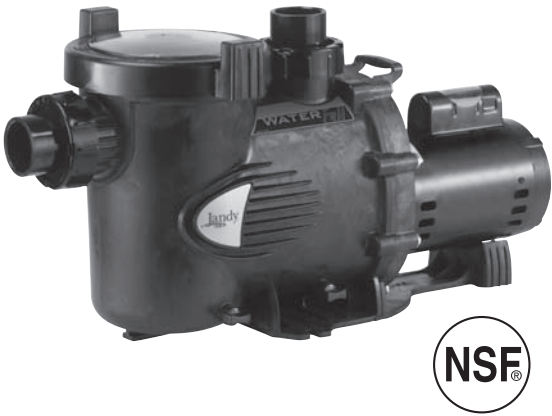




Technical Specifications

WaterFall Pumps



Part No.	Description	GPM
SWF125	Stealth™ WaterFall Low Head Pump, 230/115VAC	125
SWF185	Stealth WaterFall Low Head Pump, 230/115VAC	Up to 185

WaterFall Pump Specifications

Model No.	HP	Voltage	Amps	Pipe Size	Carton Weight	Overall Length 'A'
SWF125	.75	230/115	4.8/9.6	2½–3"	48 lbs.	33.25"
SWF185	1.0	230/115	6.0/12.0	2½–3"	56 lbs.	34.5"

When installing pump provide the following: 1) a minimum of 2 ft. of clearance above the pump for removal of strainer basket and 2) a minimum of 8" of clearance behind the motor for removal of motor

Recommended Minimum Wire Size For SWF Pumps*										
Distance from Sub-Panel		0–50 Feet		50–100 Feet		100–150 Feet		150–200 Feet		
Pump Model	Branch Fuse AMPS Class: CC, G, H, J, K, RK, or T		Voltage		Voltage		Voltage		Voltage	
	230 VAC	115 VAC	208-230 VAC	115 VAC	208-230 VAC	115 VAC	208-230 VAC	115 VAC	208-230 VAC	115 VAC
SWF 125	15	15	14	12	12	8	10	6	8	6
SWF 185	15	15	14	12	12	8	10	6	8	6

*Assumes three (3) copper conductors in a buried conduit and 3% maximum voltage loss in branch circuit. All National Electrical Code (NEC) and local codes must be followed. Table shows minimum wire size and branch fuse recommendations for a typical installation per NEC.

WaterFall Pump Specifications

SWF 125 and SWF 185 Performance Curves

