



Jandy® Pro Series 1½"- 2" Two-Port Space Saver Valve Installation Instructions

⚠ WARNING

FOR YOUR SAFETY - This product must be installed and serviced by a contractor who is licensed and qualified in pool equipment by the jurisdiction in which the product will be installed where such state or local requirements exist. The maintainer must be a professional with sufficient experience in pool equipment installation and maintenance so that all of the instructions in this manual can be followed exactly. Before installing this product, read and follow all warning notices and instructions that accompany this product. Failure to follow warning notices and instructions may result in property damage, personal injury, or death. Improper installation and/or operation will void the warranty.

PLUMBING

One valve is designed for both 1½" and 2" pipe. **1½" pipe** slip fits into valve ports. **2" pipe** is joined using 2½" pipe coupler. 45° or 90° fitting. See drawing.

Internal valve assembly must be removed prior to gluing the valve body to pipe fittings. Make certain no glue enters valve body beyond the ports. **WELD-ON 724 CPVC GRAY IS RECOMMENDED.**

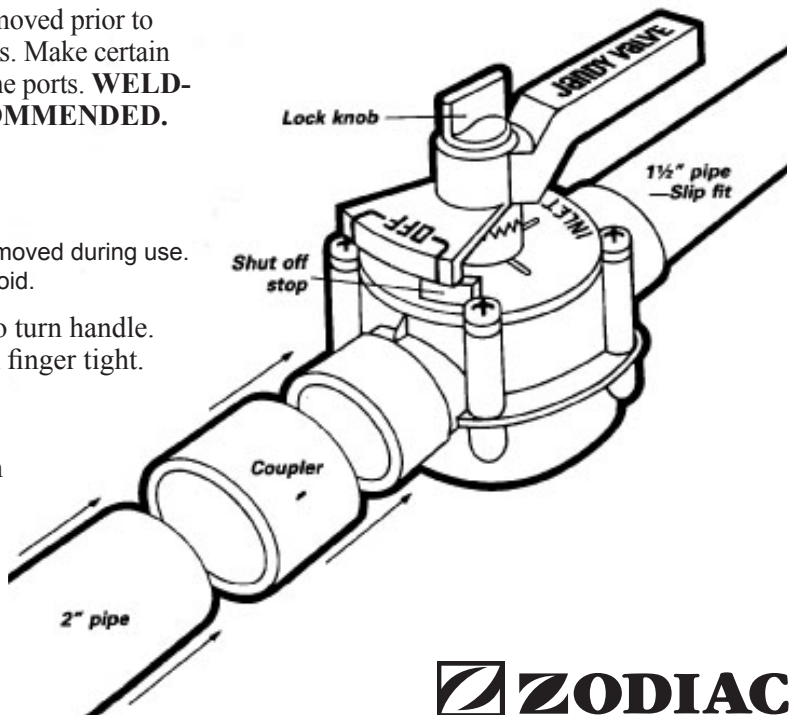
VALVE HANDLE USE

NOTE Valve handle must not be removed during use. Otherwise warranty will be void.

Lock Knob - Loosen lock knob to turn handle. To secure handle, turn knob down finger tight. See drawing.

Off Indicator - OFF area on indicator represents exact position of internal valve diverter seal.

Handle Stops - Protruding pins located on valve cover will stop diverter in complete port shut-off position. Be sure the word "INLET" on valve cover is over the incoming flow port.



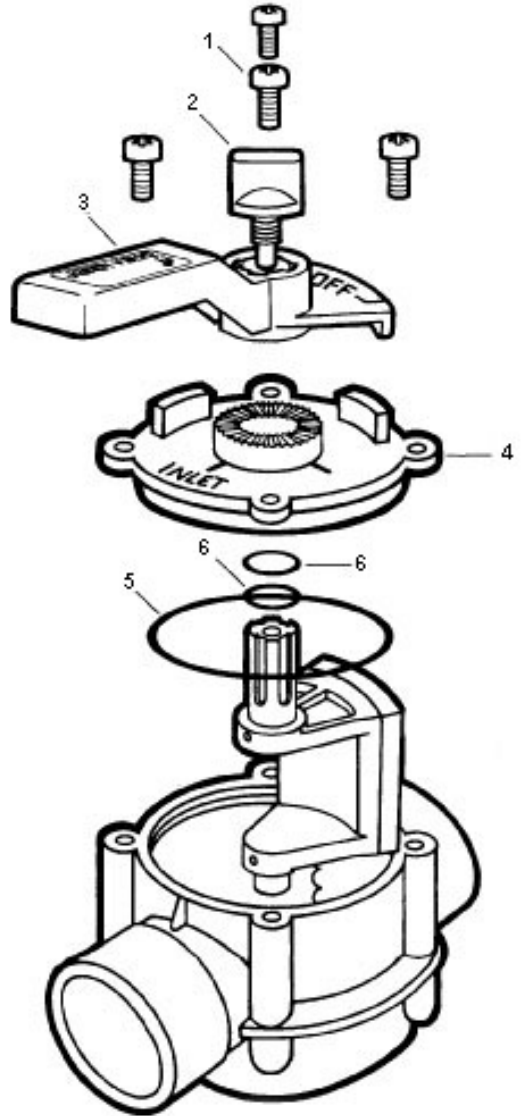
MAINTENANCE

At least twice a year, lubricate the square seal and o-rings inside the valve to extend life of unit.

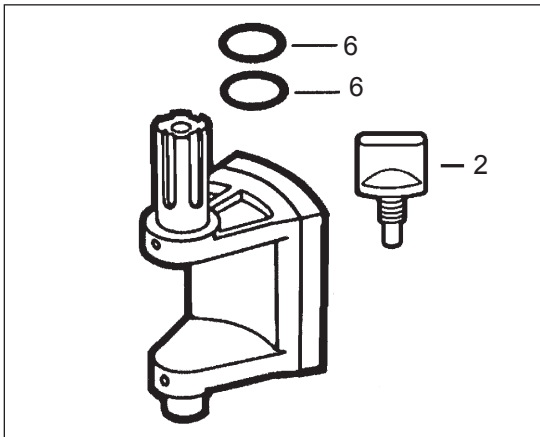
Space Saver Valve, Positive Seal, Part #3407

Space Saver Valve, Non-Positive Seal, Part #3409

Item No	Part No	Description	Qty
1	1298	#14 x 3/4" Valve Housing Screw	4
2	R0487000	Knob (ABS)	1
3	3500+	Valve Handle SSV	1
4	3426	Valve Cover (2-Port) SSV	1
5	6749	143 O-Ring SSV	1
6	R0487100	116 O-Ring	2
7	3483 or 3484	Diverter Assembly Complete (Positive) Diverter Assembly Complete (Non-Positive)	1



NOTE The valve housing is not available as a separate part. To replace the housing, you need to replace the entire valve.



Item #7. Diverter Assembly Complete with Knob

Zodiac Pool Systems, Inc.
2620 Commerce Way, Vista, CA 92081
1.800.822.7933 | www.ZodiacPoolSystems.com

ZODIAC® is a registered trademark of Zodiac International, S.A.S.U., used under license. All trademarks referenced herein are the property of their respective owners.

©2012 Zodiac Pool Systems, Inc. 3422 Rev G 1205

