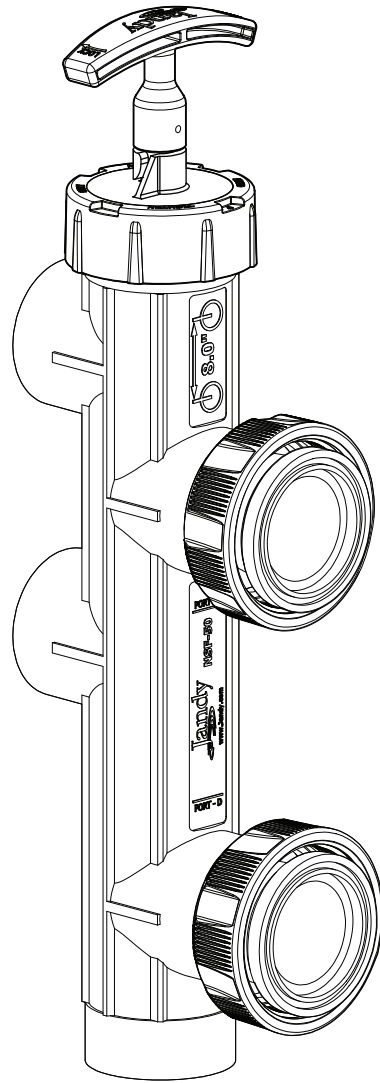




INSTALLATION AND OPERATION MANUAL

ENGLISH | FRANÇAIS | ESPAÑOL



Jandy Slide Valve and Backwash Valve

⚠ WARNING

FOR YOUR SAFETY - This product must be installed and serviced by a contractor who is licensed and qualified in pool equipment by the jurisdiction in which the product will be installed where such state or local requirements exist. The maintainer must be a professional with sufficient experience in pool equipment installation and maintenance so that all of the instructions in this manual can be followed exactly. Improper installation and/or operation can create dangerous high pressure which can cause a catastrophic product failure and/or cause the filter lid to be blown off possibly causing death, serious injury or property damage.

Before installing this product, read and follow all warning notices and instructions that accompany this product. Failure to follow warning notices and instructions may result in death, serious injury or property damage. Consult Zodiac customer service at 1-800-822-7933 for assistance. Improper installation and/or operation may void the warranty.

Table of Contents

Section 1. Safety Information	3
Section 2. BWVL-SLD-75 with SF5M Series Filter Installation.....	4
Section 3. BWVL-SLD with DEV or JS Series Filter Installation	6
Section 4. SVLV8 with DEL Series Filter Installation.....	7
Section 5. SVLV2 with Non-Jandy Filter Installation.....	9
Section 6. Servicing	10
Section 7. Winterizing	11
Section 8. Performance.....	12
Section 9. Slide Valve Exploded View and Replacement Parts List	13

Section 1. Safety Information

⚠ WARNING

FOR YOUR SAFETY: This product must be installed and serviced by a professional pool/spa service technician. The procedures in this instruction sheet must be followed exactly. Improper installation and/or operation may void the warranty.

⚠ WARNING

Ensure that all electrical power to the system is turned off before approaching, inspecting or troubleshooting any leaking valves that may have caused other electrical devices in the surrounding area to get wet. Failure to do so could result in an electrical hazard that could result in death or serious injury due to electrical shock, and may also cause damage to property.



⚠ WARNING

- Do not connect system to an unregulated city water system or other external source of pressurized water producing pressures greater than 35 PSI.
- Pressurized air in system can cause product failure or also cause the filter lid to be blown off which can result in death, serious personal injury, or property damage. Be sure all air is out of system before operating or testing the equipment.

⚠ WARNING

To minimize risk of severe injury or death the filter and/or pump should not be subjected to the piping system pressurization test.

Local codes may require the pool piping system to be subjected to a pressure test. These requirements are generally not intended to apply to the pool equipment such as filters or pumps.

Jandy pool equipment is pressure tested at the factory.

If however this WARNING cannot be followed and pressure testing of the piping system must include the filter and/or pump **BE SURE TO COMPLY WITH THE FOLLOWING SAFETY INSTRUCTIONS:**



- Check all clamps, bolts, lids, lock rings and system accessories to ensure they are properly installed and secured before testing.
- **RELEASE ALL AIR** in the system before testing.
- **AIR PRESSURE MUST NOT** be used for pressure testing.
- Water pressure for test must **NOT EXCEED 35 PSI**.
- Water temperature for test must **NOT EXCEED 100°F (38°C)**.
- Limit test to 24 hours. After test, visually check system to be sure it is ready for operation.

Notice: These parameters apply to Jandy equipment only. For non-Jandy equipment, consult equipment manufacturer.

CAUTION

Never run the pump without water. Running the pump “dry” for any length of time can cause severe damage to both the pump and motor and may void the warranty.

⚠ WARNING

To avoid risk of damage or injury, verify that all power is turned off before starting this procedure.

READ AND FOLLOW ALL INSTRUCTIONS

Section 2. BWVL-SLD-75 with SFSM Series Filter Installation

The following manual provides instructions for installing the Jandy slide valve BWVL-SLD-75 onto the Jandy SFSM Series filter. The instructions must be followed exactly. Read through the instructions completely before starting the procedure. Please save these instructions.

The slide valve is a two position valve. The valve handle must be fully extended or fully depressed. **This valve can not be throttled.**

a. Installation

⚠ WARNING

Ensure that all electrical power to the system is turned off before approaching, inspecting or troubleshooting any leaking valves that may have caused other electrical devices in the surrounding area to get wet.

1. Remove the slide valve from the packaging. Twist the handle on the slide valve several times to verify that the piston moves freely. If any of the components show signs of damage please call Zodiac at 1-800-822-7933.
2. Turn off all power to the system.
 - For **new** installations steps “3” through “6” may be skipped. Proceed to step 7.
3. Open the pressure relief valve on top of the filter. Wait for all air to evacuate the system.
4. If the filter is installed below pool level, close the suction and return line valves to isolate the filtration system or ensure that proper isolation check valves are in place.
5. Drain the water from the filter. Please follow the filter manufacturers draining instructions and ensure that wastewater is disposed of properly.
6. Remove the existing valve from the filter.
7. Remove the two o-rings from the packaging.
8. Place the o-rings on the face of the union tail pieces, where the face of the union will connect to the filter ports, see Figure 1.
 - Make sure each o-ring is properly seated into the groove of each union tail piece.
 - The slide valve has molded labels on each port.
 - The ports are equipped with union connections that match the connections on the filter ports.
 - **DO NOT USE** liquid thread sealant on any threaded plastic connection.
9. Hold the slide valve upright and place onto the filter ports. See Figure 2.
10. Tighten both union nuts to secure the valve on the filter.
11. Follow filter manufacturers instructions for filter placement on the equipment pad.

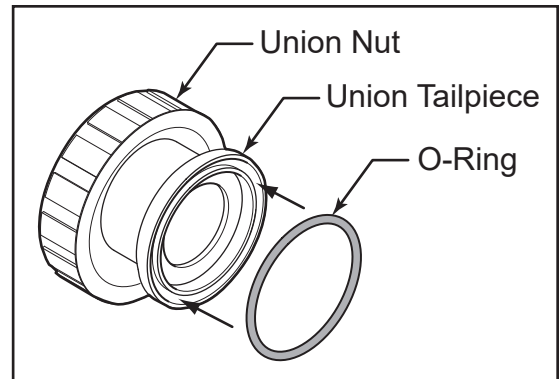


Figure 1. O-ring Placement

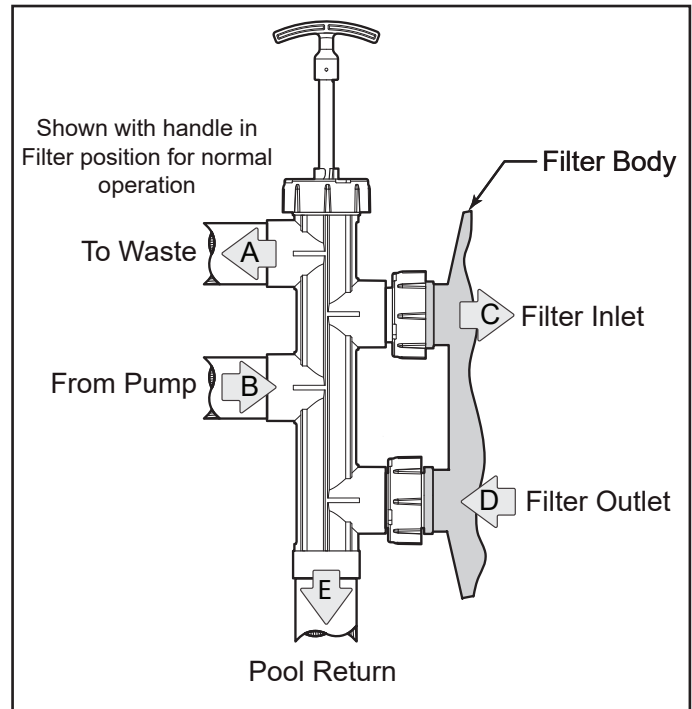


Figure 2. BWVL-SLD-75 Installed

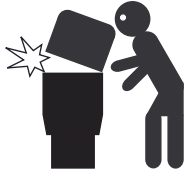
12. Plumb the discharge of the pump into the slide valve inlet labeled **PORT B**.
13. Plumb the slide valve outlet labeled **PORT E** to the heater or pool return lines.
14. Plumb the slide valve outlet labeled **PORT A** to the waste line as needed. Allow the connections to dry for 24 hours.
15. When the glue is dry, start the system and check for proper water flow.
16. After verifying proper water flow and prior to putting system into normal operating conditions, flush the system using backwash mode until the waste water is clean. Refer to Section c. for backwash mode operation instructions.

CAUTION

Do not let any adhesive get inside the slide valve body. Adhesive inside the valve body will prevent the piston from moving freely, or cause the valve to leak.

b. Normal Operation

⚠ WARNING



NEVER attempt to assemble, disassemble or adjust the filter when there is pressurized air in the system. Starting the pump while there is any pressurized air in the system can cause the filter lid to be blown off, which can cause death, serious personal injury or property damage.

1. Turn off the system pump(s).
2. Ensure that the slide valve handle is fully extended (handle pulled all the way up).
3. Turn on the filter pump(s).
4. Open the air release valve on top of the filter tank to release all pressure from inside the tank and system. Wait for all the air to evacuate the system and then close the air release valve.
5. Check the system for normal water flow.

c. Backwash Mode

1. Turn off the system pump(s).
2. Ensure that the slide valve handle is fully depressed with handle and piston pushed all the way down.
3. Turn the handle until the stainless steel pin on the piston locks into the position bracket.
4. Turn on the system pump(s).
5. Open the air release valve on top of the filter tank to release all pressure from inside the tank and system. Wait for all the air to evacuate the system and then close the air release valve.
6. Run the system until the waste water runs clean.
 - Be sure to follow any and all applicable local codes related to proper discharge/drainage of water from your pool/spa.
7. Turn off the system pump(s).
8. Return the slide valve handle to the normal operating position. See Figure 2.
9. Turn on system pump(s) and check for normal water flow.

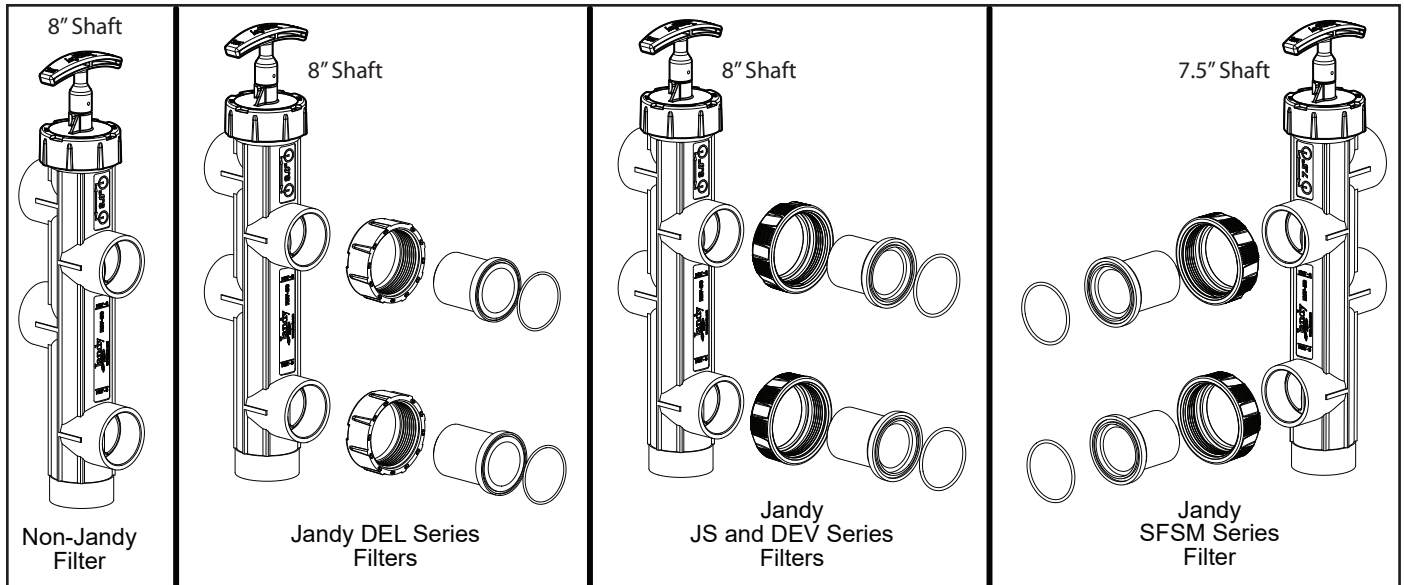


Figure 3. Jandy Slide and Backwash Valve Filter Connections

Filter Model	Slide and Backwash Models			
	BWVL-SLD	BWVL-SLD-75	SVLV8	SVLV2
Jandy JS Series	X			
Jandy DEV Series	X			
Jandy SFSM Series		X		
Jandy DEL Series			X	
Non-Jandy Filters*				X*

*Also Requires Versa Coupler Kit 8044

Table 1. Slide and Backwash Models

Section 3. BWVL-SLD with DEV or JS Series Filter Installation

The following section provides instructions for installing the Jandy slide valve BWVL-SLD onto either the Jandy DEV or JS Series Filter. The instructions must be followed exactly. Read through the instructions completely before starting the procedure. Please save these instructions.

The slide valve is a two position valve. The valve handle must be fully extended or fully depressed. **This valve can not be throttled.**

a. Installation

⚠ WARNING

Ensure that all electrical power to the system is turned off before approaching, inspecting or troubleshooting any leaking valves that may have caused other electrical devices in the surrounding area to get wet.

- Remove the slide valve from the packaging. Twist the handle on the slide valve several times to verify that the piston moves freely. If any of the components show signs of damage please call Zodiac at 1-800-822-7933.
- Turn off all power to the system.
 - For **new** installations steps “3” through “6” may be skipped. Proceed to step 7.
- Open the pressure relief valve on top of the filter. Wait for all air to evacuate the system.
- If the filter is installed below pool level, close the suction and return line valves to isolate the filtration system or ensure that proper isolation check valves are in place.
- Drain the water from the filter. Please follow the filter manufacturers draining instructions and ensure that wastewater is disposed of properly.
- Remove the existing valve from the filter.
- Remove the two o-rings from the packaging.
- Place the o-rings on the face of the union tail pieces, where the face of the union will connect to the filter bulkheads, see Figure 4.
 - Make sure each o-ring is properly seated into the groove of each union tail piece.
 - The slide valve has molded labels on each port.
 - The ports are equipped with union connections that match the connections on the filter ports.
 - DO NOT USE** liquid thread sealant on any threaded plastic connection.
- Hold the slide valve upright and place onto the filter bulkheads. See Figure 5.
- Tighten both union nuts to secure the valve on the filter.
- Follow filter manufacturers instructions for filter placement on the equipment pad.

- Plumb the discharge of the pump into the slide valve inlet labeled **PORT B**.
- Plumb the slide valve outlet labeled **PORT A** to the heater or pool return lines.
- Plumb the slide valve outlet labeled **PORT E** to the waste line as needed. Allow the connections to dry for 24 hours.
- When the glue is dry, start the system and check for proper water flow.
- After verifying proper water flow and prior to putting system into normal operating conditions, flush the system using Backwash mode until the waste water is clean. Refer to Section c. for Backwash mode operation instructions.

CAUTION

Do not let any adhesive get inside the slide valve body. Adhesive inside the valve body will prevent the piston from moving freely, or cause the valve to leak.

b. Normal Operation

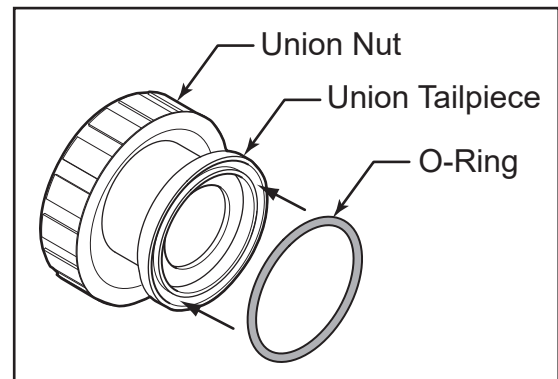


Figure 4. O-ring Placement

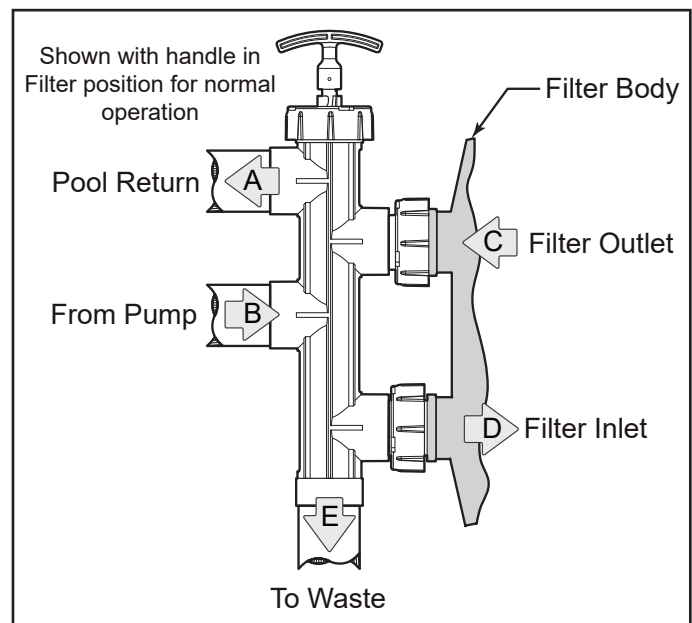


Figure 5. BWVL-SLD Installed

⚠ WARNING

NEVER attempt to assemble, disassemble or adjust the filter when there is pressurized air in the system. Starting the pump while there is any pressurized air in the system can cause the filter lid to be blown off, which can cause death, serious personal injury or property damage.

1. Turn off the system pump(s).
2. Ensure that the slide valve handle is fully depressed with handle and piston pushed all the way down.
3. Turn the handle until the stainless steel pin on the piston locks into the position bracket.
4. Turn on the filter pump(s).
5. Open the air release valve on top of the filter tank to release all pressure from inside the tank and system. Wait for all the air to evacuate the system and then close the air release valve.
6. Check the system for normal water flow.

c. Backwash Mode**⚠ WARNING**

NEVER attempt to assemble, disassemble or adjust the filter when there is pressurized air in the system. Starting the pump while there is any pressurized air in the system can cause the filter lid to be blown off, which can cause death, serious personal injury or property damage.

1. Turn off the system pump(s).
2. Ensure that the slide valve handle is fully extended (handle pulled all the way up).
3. Turn on the system pump(s).
4. Open the air release valve on top of the filter tank to release all pressure from inside the tank and system. Wait for all the air to evacuate the system and then close the air release valve.
5. Run the system until the waste water runs clean.
 - Be sure to follow any and all applicable local codes related to proper discharge/drainage of water from your pool/spa.
6. Turn off the system pump(s).
7. Return the slide valve handle to the normal operating position. See Figure 5.
8. Turn on system pump(s) and check for normal water flow.

Section 4. SVLV8 with DEL Series Filter Installation

The following section provides instructions for installing the Jandy slide valve SVLV8 onto the DEL Series Filter. The instructions must be followed exactly. Read through the instructions completely before starting the procedure. Please save these instructions.

The slide valve is a two position valve. The valve handle must be fully extended or fully depressed. **This valve can not be throttled.**

a. Installation**⚠ WARNING**

Ensure that all electrical power to the system is turned off before approaching, inspecting or troubleshooting any leaking valves that may have caused other electrical devices in the surrounding area to get wet.

1. Remove the slide valve from the packaging. Twist the handle on the slide valve several times to verify that the piston moves freely. If any of the components show signs of damage please call Zodiac at 1-800-822-7933.
2. Turn off all power to the system.
 - For **new** installations steps “3” through “6” may be skipped. Proceed to step 7.
3. Open the pressure relief valve on top of the filter. Wait for all air to evacuate the system.
4. If the filter is installed below pool level, close the suction and return line valves to isolate the filtration system or ensure that proper isolation check valves are in place.
5. Drain the water from the filter. Please follow the filter manufacturers draining instructions and ensure that wastewater is disposed of properly.
6. Remove the existing valve from the filter.
7. Remove the two o-rings from the packaging.
8. Place the o-rings on the face of the union tail pieces, where the face of the union will connect to the filter bulkheads, see Figure 6.
 - Make sure each o-ring is properly seated into the groove of each union tail piece.
 - The slide valve has molded labels on each port.
 - The ports are equipped with union connections that match the connections on the filter ports.
 - **DO NOT USE** liquid thread sealant on any threaded plastic connection.
9. Hold the slide valve upright and place onto the filter bulkheads. See Figure 7.
10. Tighten both union nuts to secure the valve on the filter.

11. Follow filter manufacturers instructions for filter placement on the equipment pad.
12. Plumb the discharge of the pump into the slide valve inlet labeled **PORT B**.
13. Plumb the slide valve outlet labeled **PORT A** to the heater or pool return lines.
14. Plumb the slide valve outlet labeled **PORT E** to the waste line as needed. Allow the connections to dry for 24 hours.
15. When the glue is dry, start the system and check for proper water flow.
16. After verifying proper water flow and prior to putting system into normal operating conditions, flush the system using Backwash mode until the waste water is clean. Refer to Section c. for Backwash mode operation instructions.

CAUTION

Do not let any adhesive get inside the slide valve body. Adhesive inside the valve body will prevent the piston from moving freely, or cause the valve to leak.

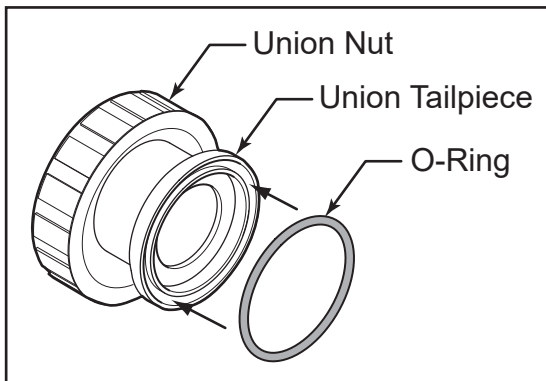


Figure 6. O-ring Placement

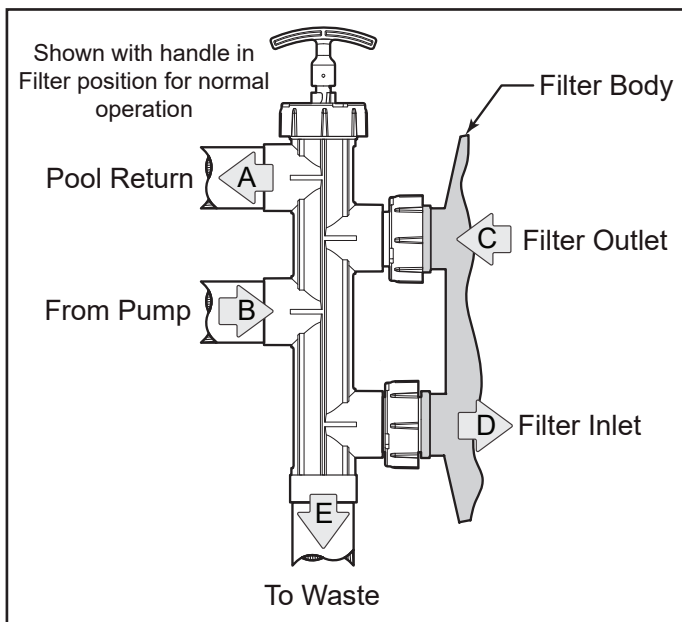
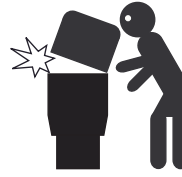


Figure 7. SVLV8 Installed

b. Normal Operation

⚠ WARNING



NEVER attempt to assemble, disassemble or adjust the filter when there is pressurized air in the system. Starting the pump while there is any pressurized air in the system can cause the filter lid to be blown off, which can cause death, serious personal injury or property damage.

1. Turn off the system pump(s).
2. Ensure that the slide valve handle is fully depressed with handle and piston pushed all the way down.
3. Turn the handle until the stainless steel pin on the piston locks into the position bracket.
4. Turn on the filter pump(s).
5. Open the air release valve on top of the filter tank to release all pressure from inside the tank and system. Wait for all the air to evacuate the system and then close the air release valve.
6. Check the system for normal water flow.

c. Backwash Mode

⚠ WARNING



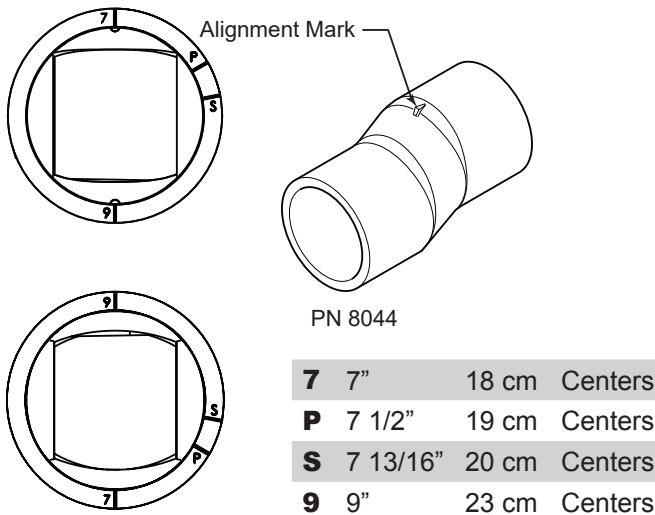
NEVER attempt to assemble, disassemble or adjust the filter when there is pressurized air in the system. Starting the pump while there is any pressurized air in the system can cause the filter lid to be blown off, which can cause death, serious personal injury or property damage.

1. Turn off the system pump(s).
2. Ensure that the slide valve handle is fully extended (handle pulled all the way up).
3. Turn on the system pump(s).
4. Open the air release valve on top of the filter tank to release all pressure from inside the tank and system. Wait for all the air to evacuate the system and then close the air release valve.
5. Run the system until the waste water runs clean.
 - Be sure to follow any and all applicable local codes related to proper discharge/drainage of water from your pool/spa.
6. Turn off the system pump(s).
7. Return the slide valve handle to the normal operating position. See Figure 7.
8. Turn on system pump(s) and check for normal water flow.

Section 5. SVLV2 with Non-Jandy Filter Installation.

a. Versa Coupler p/n 8044

Versa Plumb® connectors can be used to on filters with port distances from 7" to 9" centers. The valve port faces have four alignment marks. By using the alignment marks on the versa coupler the following port distances can be achieved:



1. Measure the distance between the inlet and outlet ports on the filter body.
2. Using the Versa Plumb connectors set the alignment marks to the required position based on the measurements provided above.
3. Align each versa-coupler to the filter and the slide valve prior to gluing the assembly. When the parts are in alignment, mark each piece to ensure correct reassembly.

b. Installation

⚠ WARNING

Ensure that all electrical power to the system is turned off before approaching, inspecting or troubleshooting any leaking valves that may have caused other electrical devices in the surrounding area to get wet.

The following section provides instructions for installing the Jandy slide valve SLVL2 onto a non-Jandy filter. This requires at least one versa coupler p/n 8044. The instructions must be followed exactly. Read through the instructions completely before starting the procedure. Please save these instructions.

The slide valve is a two position valve. The valve handle must be fully extended or fully depressed. **This valve can not be throttled.**

1. Remove the slide valve from the packaging. Twist the handle on the slide valve several times to verify that the piston moves freely. If any of the components show signs of damage please call Zodiac at 1-800-822-7933.

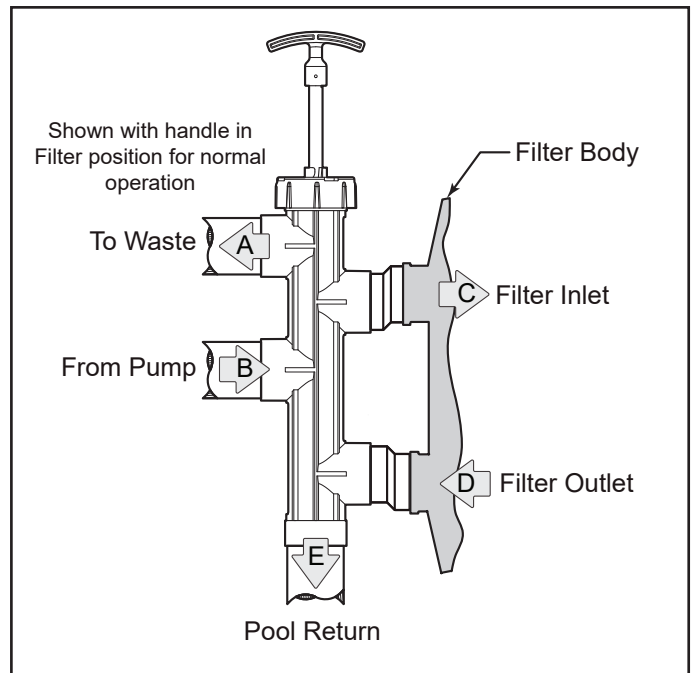


Figure 8. SVLV2 with Versa Couplers Installed

2. Turn off all power to the system.
 - For **new** installations steps "3" through "6" may be skipped. Proceed to step 7.
3. Open the pressure relief valve on top of the filter. Wait for all air to evacuate the system.
4. If the filter is installed below pool level, close the suction and return line valves to isolate the filtration system or ensure that proper isolation check valves are in place.
5. Drain the water from the filter. Please follow the filter manufacturers draining instructions and ensure that wastewater is disposed of properly.
6. Remove the existing valve from the filter.
7. Follow filter manufacturers instructions for filter placement on the equipment pad.
8. Slide one (1) versa-coupler into **PORT C** and one (1) into **PORT D** on the slide valve. See Figure 8.
9. Hold the slide valve up to the filter and twist the versa-couplers until they slide into the filter inlet and outlet ports.
10. Remove the valve from the filter. Clean the versa-couplers and glue them onto the valve using the alignment marks as a reference.
11. Clean the versa-coupler and glue onto the filter, or install 2" union tailpieces and union nuts
 - The slide valve has molded labels on each port.
 - **DO NOT USE** liquid thread sealant on any threaded plastic connection.
 - If glued, hold the coupler in place for a minimum of one (1) minute.
12. Plumb the discharge of the pump into the slide valve inlet labeled **PORT B**.

13. Plumb the slide valve outlet labeled **PORT A** to the waste line as needed.
14. Plumb the slide valve outlet labeled **PORT E** to the heater or pool return lines.
15. Allow the connections to dry for 24 hours.
16. When the glue is dry, start the system and check for proper water flow.
17. After verifying proper water flow and prior to putting system into normal operating conditions, flush the system using Backwash mode until the waste water is clean. Refer to Section c. for Backwash mode operation instructions.

CAUTION

Do not let any adhesive get inside the slide valve body. Adhesive inside the valve body will prevent the piston from moving freely, or cause the valve to leak.

c. Normal Operation

⚠ WARNING



NEVER attempt to assemble, disassemble or adjust the filter when there is pressurized air in the system. Starting the pump while there is any pressurized air in the system can cause the filter lid to be blown off, which can cause death, serious personal injury or property damage.

1. Turn off the system pump(s).
2. Ensure that the slide valve handle is fully extended (handle pulled all the way up).
3. Turn on the filter pump(s).
4. Open the air release valve on top of the filter tank to release all pressure from inside the tank and system. Wait for all the air to evacuate the system and then close the air release valve.
5. Check the system for normal water flow.

d. Backwash Mode

⚠ WARNING



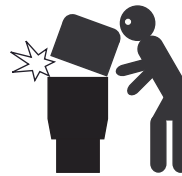
NEVER attempt to assemble, disassemble or adjust the filter when there is pressurized air in the system. Starting the pump while there is any pressurized air in the system can cause the filter lid to be blown off, which can cause death, serious personal injury or property damage.

1. Turn off the system pump(s).
2. Ensure that the slide valve handle is fully depressed with handle and piston pushed all the way down.

3. Turn the handle until the stainless steel pin on the piston locks into the position bracket.
4. Turn on the system pump(s)
5. Open the air release valve on top of the filter tank to release all pressure from inside the tank and system. Wait for all the air to evacuate the system and then close the air release valve.
6. Run the system until the waste water runs clean.
 - Be sure to follow any and all applicable local codes related to proper discharge/drainage of water from your pool/spa.
7. Turn off the system pump(s).
8. Return the slide valve handle to the normal operating position. See Figure 8.
9. Turn on system pump(s) and check for normal water flow.

Section 6. Servicing

⚠ WARNING



NEVER attempt to assemble, disassemble or adjust the filter when there is pressurized air in the system. Starting the pump while there is any pressurized air in the system can cause the filter lid to be blown off, which can cause death, serious personal injury or property damage.

1. Turn off the system pump(s).
2. Loosen the lid union nut. See Figure 9.
3. Grab the slide valve handle and pull the shaft assembly out of the valve. See Figure 10.
4. Inspect the shaft and the o-rings for wear, cuts, cracks, and debris. If the o-rings show any sign of wear or damage, replace with Jandy o-ring and Roll Pin Replacement Kit.

NOTE The o-ring inspection includes the lid o-ring. Please be aware that the roll pins are different lengths; the handle roll pin is 1" long and the shaft roll pin is 13/16" long.

5. Wash the shaft and o-rings with clean water and dry with a lint-free cloth. **Ensure that all debris is removed.**
6. Wash the lid surface of the valve (where the lid o-ring is seated) and dry with a lint-free cloth. **Ensure that all debris is removed.**
7. Lubricate o-rings with 100% silicone grease lubricant, like Magic Lube® II. **Do not use any lubricant containing petroleum products.**
8. Place the shaft back into the slide valve and tighten the lid union nut.

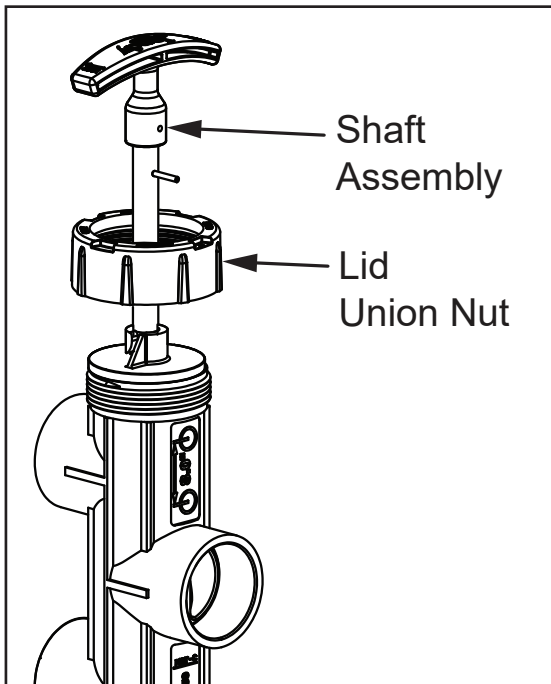


Figure 9. Loosen Lid Union Nut

9. Return the slide valve handle to the normal operating position. Refer to the appropriate section depending on your specific valve p/n and filter (reference page 2 of this manual).
10. Turn on system pump(s) and check for normal water flow.

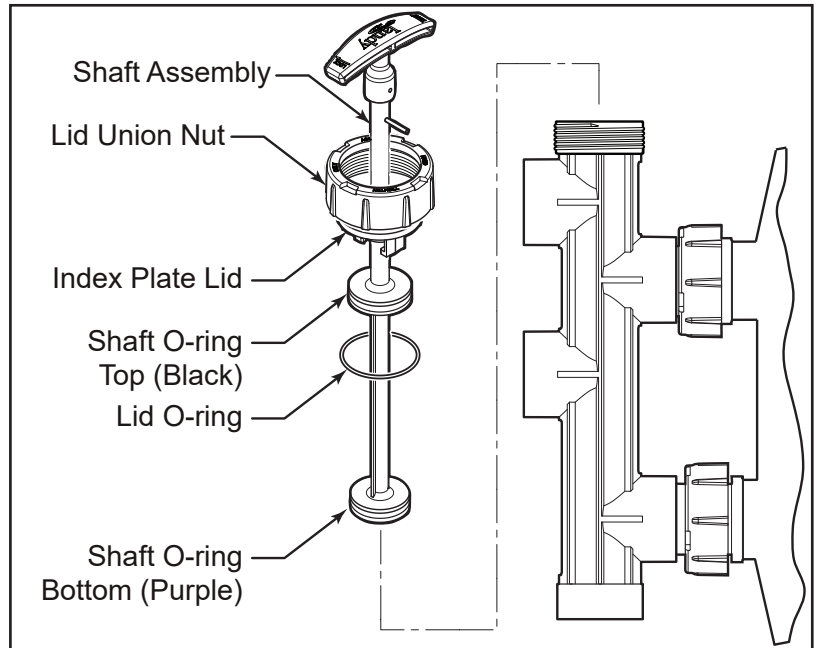


Figure 10. Remove slide valve Shaft Assembly

Section 7. Winterizing

CAUTION

If not properly winterized, damage to the slide valve will occur, which will increase the potential of injury.

! WARNING



NEVER attempt to assemble, disassemble or adjust the filter when there is pressurized air in the system. Starting the pump while there is any pressurized air in the system can cause the filter lid to be blown off, which can cause death, serious personal injury or property damage.

1. Turn off the system pump(s).
2. Open the air release valve on top of the filter tank to release all pressure from inside the tank and system. Wait for all the air to evacuate the system and then close the air release valve.
3. Loosen the lid union nut. See Figure 9.
4. Grab the slide valve handle and pull the shaft assembly out of the valve. See Figure 10.
5. Allow all water to drain out the valve.
6. When it is confirmed that there is no water left in the valve, place the shaft back into the slide valve and tighten the lid union nut.
7. Position the slide valve in Backwash mode.

Section 8. Performance

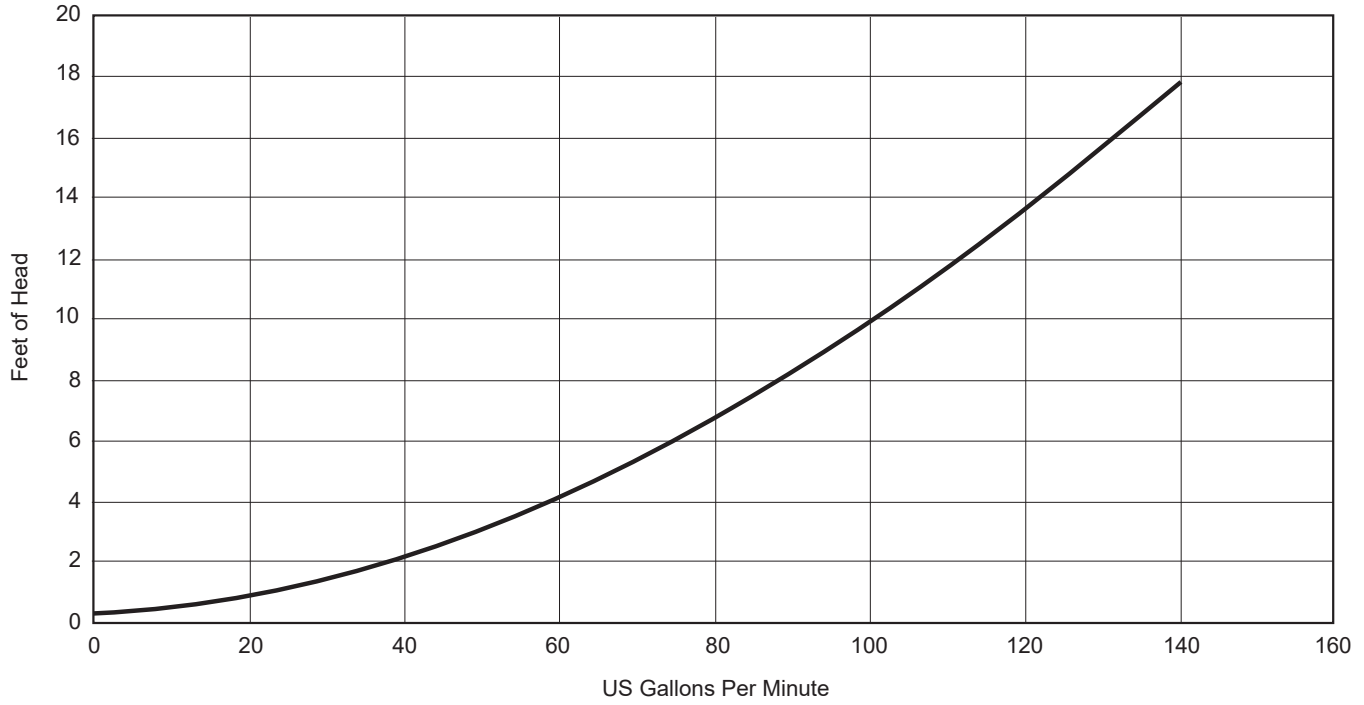
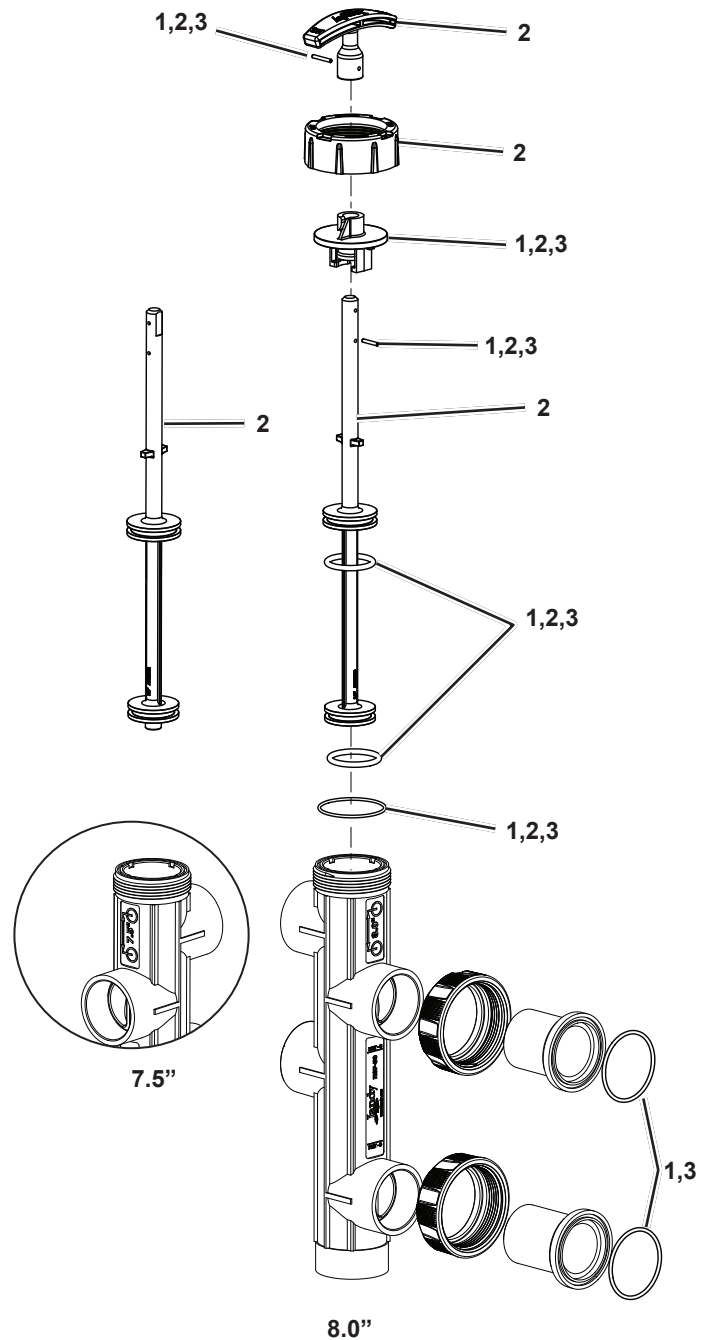


Figure 11. Slide Valve Head Loss Curve (slide valve with SFSM Filter Data Shown)

Section 9. Slide Valve Exploded View and Replacement Parts List

Key No.	Description	Qty.	Order Part No.
1	Rebuild Kit (O-rings, Roll Pins and Index Plate/Lid)(BWVL-SLD)		R0473000
	O-ring, Lid	1	
	O-ring, Shaft, Top, Black	1	
	O-ring, Shaft, Bottom, Purple	1	
	O-ring, Union Tail Piece	2	
	Roll Pin, Handle (1")	1	
	Roll Pin, Shaft (¹³ / ₁₆ "	1	
	Index Plate/Lid	1	
2	Shaft Replacement Kit		R0442200
	Shaft, 8.0" Spacing	1	
	Shaft, 7.5" Spacing	1	
	Handle	1	
	Roll Pin, Handle (1")	1	
	Roll Pin, Shaft (¹³ / ₁₆ "	1	
	Index Plate/Lid	1	
	Lid Union Nut	1	
	O-ring, Lid	1	
	O-ring, Shaft, Top, Black	1	
	O-ring, Shaft, Bottom, Purple	1	
3	O-ring and Pin Replacement Kit (SVLV8)		R0442100
	Roll Pin, Handle (1")	1	
	Roll Pin, Shaft (¹³ / ₁₆ "	1	
	Index Plate	1	
	O-ring, Shaft, Top, Black	1	
	O-ring, Shaft, Bottom, Purple	1	
	O-ring, Union Tail Piece	3	



Zodiac Pool Systems LLC
2882 Whiptail Loop # 100, Carlsbad, CA 92010
USA | Jandy.com | 1.800.822.7933

Zodiac Pool Systems Canada, Inc.
2-3365 Mainway
Burlington, ON L7M 1A6 Canada
1.888.647.4004 | www.ZodiacPoolSystems.ca



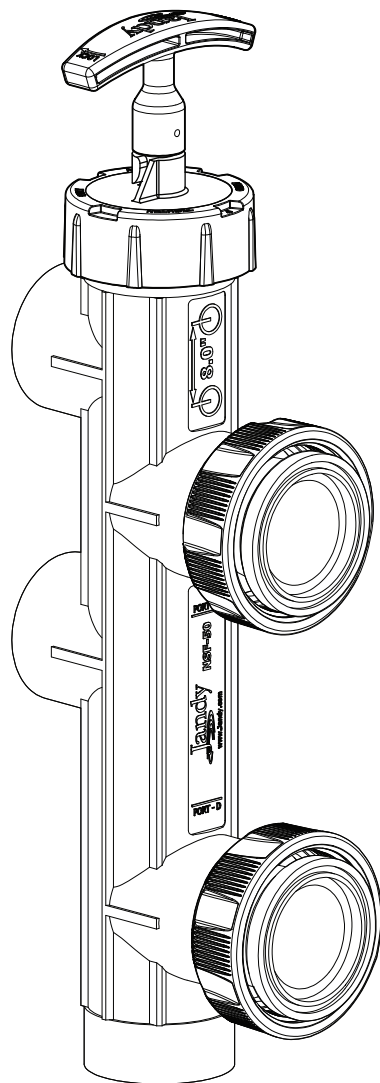
©2021 Zodiac Pool Systems LLC. All rights reserved. ZODIAC® is a registered trademark of Zodiac International, S.A.S.U. used under license. All other trademarks referenced herein are the property of their respective owners.

H0617700_REVD



MANUEL D'INSTALLATION ET DE FONCTIONNEMENT

FRANÇAIS



Jandy Soupape à tiroir et soupape de lavage à contre-courant

⚠ AVERTISSEMENT

POUR VOTRE SÉCURITÉ – Ce produit doit être installé et entretenu par un entrepreneur disposant d'une licence et qui est qualifié en équipements de piscine par l'autorité dans laquelle le produit est installé lorsque de telles exigences étatiques ou locales existent. L'agent d'entretien doit être un professionnel disposant de suffisamment d'expérience dans l'installation et l'entretien des équipements de piscine afin de s'assurer que toutes les directives du présent manuel sont scrupuleusement respectées. Une installation et/ou une utilisation incorrectes peuvent créer une pression élevée dangereuse susceptible de provoquer une défaillance catastrophique du produit et/ou de provoquer le soufflage du couvercle du filtre, pouvant entraîner des dommages matériels, des blessures graves ou la mort.

Avant d'installer ce produit, veuillez lire et suivre tous les avertissements et toutes les directives qui accompagnent ce produit. Dans le cas contraire, des dommages matériels ou des blessures graves, voire mortelles, peuvent survenir. Consultez le service client de Zodiac au 1 800 822-7933 pour obtenir de l'aide. Une installation et/ou une utilisation incorrectes peuvent annuler la garantie.

Table des matières

Section 1. Informations relatives à la sécurité	17
Section 2. Installation du de BWVL-SLD-75 avec le filtre de la série SFSM	18
Section 3. Installation de BWVL-SLD avec le filtre de la série DEV ou JS.....	20
Section 4. Installation de SVLV8 avec le filtre de la série DEL.....	21
Section 5. Installation de SVLV2 avec un filtre autre que Jandy	23
Section 6. Dépannage	25
Section 7. Hivernage	26
Section 8. Performance.....	27
Section 9. Vue éclatée de la soupape à tiroir et liste des pièces de rechange.....	28

Section 1. Informations relatives à la sécurité

⚠ AVERTISSEMENT

POUR VOTRE SÉCURITÉ : Le présent produit doit être installé et entretenu par un technicien professionnel spécialisé dans l'installation et l'entretien des piscines et des spas. Les procédures indiquées dans cette feuille d'instructions doivent être suivies avec précision. Une installation et/ou une utilisation incorrectes peuvent annuler la garantie.

⚠ AVERTISSEMENT

Vous assurer que tous les dispositifs électriques du système sont éteints avant d'approcher, d'inspecter ou de dépanner des soupapes qui pourraient avoir projeté de l'eau sur d'autres appareils électriques aux alentours. Ne pas le faire pourrait entraîner un risque électrique pouvant entraîner la mort ou des blessures graves suite à une décharge électrique et causer des dommages matériels.

⚠ AVERTISSEMENT



- Ne pas raccorder le système à un réseau municipal d'approvisionnement en eau non réglementé ou à toute autre source externe d'eau sous pression produisant des pressions supérieures à 35 psi.
- La présence d'air sous pression dans un système peut provoquer une panne ou le soufflage du couvercle du filtre, ce qui peut entraîner la mort, des blessures graves ou des dommages matériels. Vous assurer que tout l'air est évacué du système avant d'utiliser ou de tester l'équipement.

⚠ AVERTISSEMENT

Pour réduire le risque de blessures graves ou de décès, le filtre et/ou la pompe ne doivent pas être soumis à un test de mise sous pression de la tuyauterie.

Les codes locaux peuvent exiger l'application d'un test de mise sous pression sur la tuyauterie de la piscine. Généralement, ces exigences ne sont pas conçues pour être appliquées à l'équipement de piscine, comme les filtres ou les pompes.

Les équipements de piscine Jandy sont soumis à des tests de mise sous pression en usine.

Si toutefois cet AVERTISSEMENT ne peut pas être respecté et que le test de mise sous pression du système de tuyauterie doit inclure le filtre et/ou la pompe, ASSUREZ-VOUS DE RESPECTER LES CONSIGNES DE SÉCURITÉ SUIVANTES :



- Vérifier les serre-joints, les boulons, les couvercles, les bagues de retenue et les accessoires du système pour s'assurer qu'ils sont correctement installés et fixés solidement avant d'effectuer un test.
- **ÉVACUER TOUT L'AIR** présent dans le système avant d'effectuer le test.
- **LA PRESSION D'AIR NE DOIT PAS** être utilisée pour réaliser les tests de pression.
- La pression de l'eau pendant le test **NE DOIT PAS DÉPASSER 35 PSI**.
- La température de l'eau pendant le test **NE DOIT PAS DÉPASSER 38 °C (100 °F)**.
- Limiter la durée du test à 24 heures. Après le test, vérifier visuellement le système pour s'assurer qu'il est prêt à fonctionner.

Avis : Ces paramètres s'appliquent uniquement aux équipements Jandy. Pour les équipements autres que Jandy, consultez le fabricant de l'équipement.

ATTENTION

Ne faites jamais fonctionner la pompe sans eau. Faire fonctionner la pompe « à sec » pendant une durée indéterminée peut causer de graves dommages à la pompe et au moteur et peut annuler la garantie.

⚠ AVERTISSEMENT

Pour éviter tout risque de dommages ou de blessures, vérifier que l'alimentation est coupée avant de commencer la procédure.

LIRE ET SUIVRE TOUTES LES DIRECTIVES

Section 2. Installation du de BWVL-SLD-75 avec le filtre de la série SFSM

Le manuel suivant fournit des informations sur l'installation de la soupape à tiroir BWVL-SLD-75 de Jandy sur le filtre de SFSM Series de Jandy. Les directives doivent être suivies à la lettre. Lire toutes les directives avant de commencer la procédure d'installation. Veuillez conserver ces directives.

La soupape à tiroir est une soupape à deux positions. La poignée de la soupape doit être complètement déployée ou complètement enfoncée. **Cette soupape ne peut être étranglée.**

a. Installation

⚠ AVERTISSEMENT

Vous assurer que tous les dispositifs électriques du système sont éteints avant d'approcher, d'inspecter ou de dépanner des soupapes qui pourraient avoir projeté de l'eau sur d'autres appareils électriques aux alentours.

- Retirer la soupape à tiroir de l'emballage. Tourner plusieurs fois la poignée de la soupape à tiroir pour vérifier que le piston bouge librement. En cas de dommage sur l'un des composants, veuillez appeler Zodiac au 1 800 822-7933.
- Débrancher l'alimentation vers le système.
 - Pour les **nouvelles** installations, les étapes « 3 » à « 6 » peuvent être sautées. Poursuivre avec l'étape 7.
- Ouvrir la soupape de surpression qui se trouve au-dessus du filtre. Attendre l'évacuation complète de l'air du système.
- Si le filtre est installé sous le niveau d'eau de la piscine, fermer les soupapes d'aspiration et les conduites de retour afin d'isoler le système de filtration ou vous assurer que les clapets de non-retour appropriés sont en place.
- Vider l'eau du filtre. Veuillez suivre les directives du fabricant concernant la vidange du filtre et vous assurer que les eaux usées sont éliminées de façon appropriée.
- Retirer la soupape existante du filtre.
- Retirer les deux joints toriques de l'emballage.
- Placer les joints toriques sur la face des pièces de raccordement, là où la face de la pièce de raccordement sera connectée aux ports du filtre, voir l'illustration 1.
 - Vous assurer que chaque joint torique est correctement inséré dans la rainure de chaque pièce de raccordement.
 - La soupape à tiroir possède des étiquettes moulées sur chaque orifice.
 - Les orifices sont équipés de raccords-unions qui correspondent aux connexions sur les orifices du filtre.
 - NE PAS UTILISER** de produit d'étanchéité liquide sur les raccords filetés en plastique.
- Maintenir la soupape à tiroir à la verticale et la placer sur les orifices du filtre. Voir l'illustration 2.

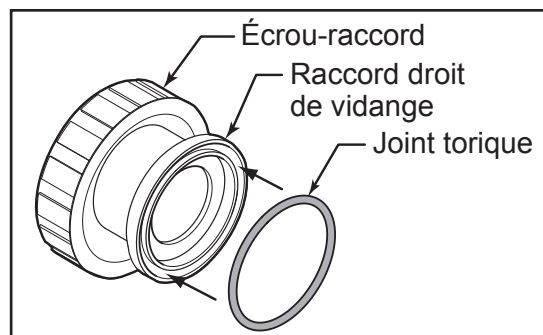


Illustration 1. Emplacement du joint torique

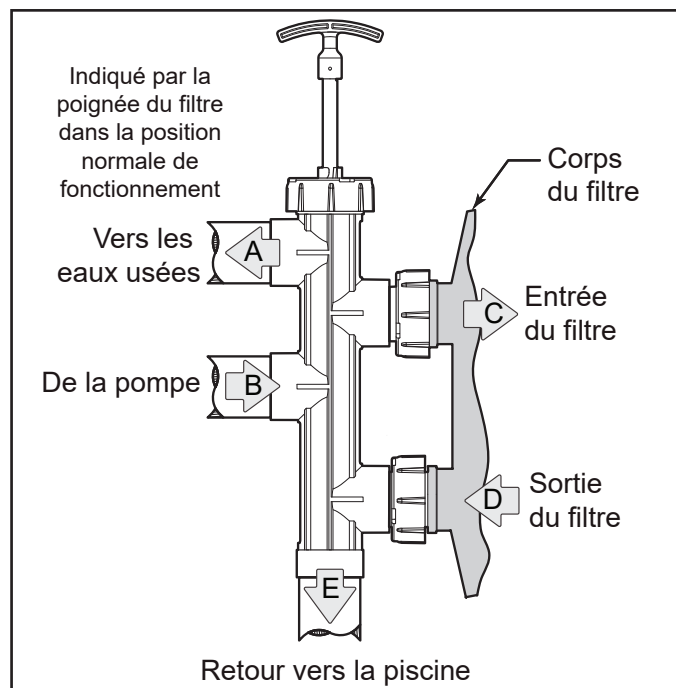


Illustration 2. BWVL-SLD-75 installé

- Serrer les deux écrous-raccords pour fixer la soupape sur le filtre.
- Suivre les directives du fabricant du filtre pour l'installation du filtre sur le bloc d'équipement.
- Connecter la décharge de la pompe à l'orifice d'entrée de la soupape à tiroir étiquetée **PORT B**.
- Connecter l'orifice de sortie de la soupape à tiroir étiquetée **PORT E** à l'appareil de chauffage ou les conduites de retour de la piscine.
- Connecter l'orifice de sortie de la soupape à tiroir étiquetée **PORT A** au branchement d'évacuation d'eaux ménagères au besoin. Laisser les connexions sécher pendant 24 heures.
- Lorsque la colle est sèche, démarrer le système et vérifier le bon écoulement de l'eau.
- Après avoir vérifié le bon débit d'eau et avant de placer le système dans les conditions normales de fonctionnement, nettoyer le système à l'aide du mode de lavage à contre-courant jusqu'à ce que les eaux usées soient propres. Vous reporter à la section c pour les directives sur le fonctionnement du mode de lavage à contre-courant.

ATTENTION

Ne laissez aucune colle pénétrer dans le corps de la soupape à tiroir. La présence de colle dans le corps de la soupape empêchera le piston de bouger librement ou pourrait causer une fuite.

b. Fonctionnement normal

⚠ AVERTISSEMENT



Ne **JAMAIS** essayer de monter, de démonter ou de régler le filtre lorsque le système est sous pression. Démarrer la pompe alors que le système est sous pression peut provoquer le soufflage du couvercle du filtre, ce qui peut entraîner des dommages matériels, des blessures graves ou la mort.

1. Arrêter la ou les pompes de filtration.
2. Vous assurer que la poignée de la soupape à tiroir est complètement déployée (poignée tirée vers le haut).
3. Démarrer la ou les pompes de filtration.
4. Ouvrir la soupape de surpression qui est au-dessus du filtre afin de libérer toute la pression de l'intérieur du réservoir et du système. Attendre que tout l'air soit libéré du système et fermer la soupape d'évacuation d'air.
5. Vérifier que le débit d'eau est normal.

c. Mode de lavage à contre-courant

1. Arrêter la ou les pompes de filtration.
2. Vous assurer que la poignée de la soupape à tiroir est complètement déployée avec la poignée et le piston poussés vers le bas.
3. Tourner la poignée jusqu'à ce que la goupille en acier inoxydable sur le piston se verrouille dans le support de position.
4. Démarrer la ou les pompes du système.
5. Ouvrir la soupape de surpression qui est au-dessus du filtre afin de libérer toute la pression de l'intérieur du réservoir et du système. Attendre que tout l'air soit libéré du système et fermer la soupape d'évacuation d'air.
6. Faire fonctionner le système jusqu'à ce que les eaux usées soient propres.
 - Vous assurer de respecter tous les codes locaux applicables relatifs à la vidange/évacuation appropriée de l'eau de votre piscine/spa.
7. Arrêter la ou les pompes de filtration.
8. Remettre la poignée de la soupape à tiroir dans sa position normale de fonctionnement. Voir l'illustration 2.
9. Démarrer la ou les pompes du système et vérifier que le débit de l'eau est normal.

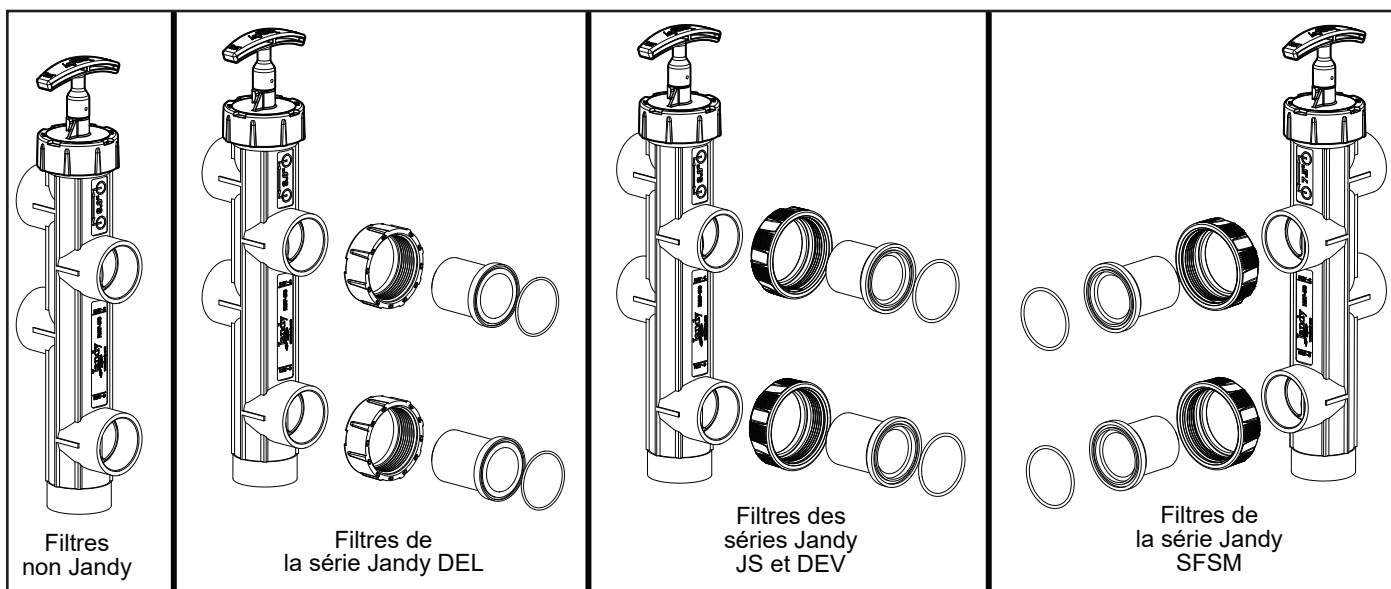


Figure 3. Raccords du filtre de la glissière et de la valve de lavage à contre-courant Jandy

Modèle de filtre	Modèles de glissière et de lavage			
	BWVL-SLD	BWVL-SLD-75	SVLV8	SVLV2
Série Jandy JS	X			
Série Jandy DEV	X			
Série Jandy SF5M		X		
Série Jandy DEL			X	
Filtres non Jandy*				X*

* Nécessite également le kit coupleur Versa 8044

Table 1. Modèles de glissière et de lavage

Section 3. Installation de BWVL-SLD avec le filtre de la série DEV ou JS

Le manuel suivant fournit des informations sur l'installation de la soupape à tiroir BWVL-SLD de Jandy sur le filtre de DEV ou JS Series de Jandy. Les directives doivent être suivies à la lettre. Lire toutes les directives avant de commencer la procédure d'installation. Veuillez conserver ces directives.

La soupape à tiroir est une soupape à deux positions. La poignée de la soupape doit être complètement déployée ou complètement enfoncée. **Cette soupape ne peut être étranglée.**

a. Installation

⚠ AVERTISSEMENT

Vous assurer que tous les dispositifs électriques du système sont éteints avant d'approcher, d'inspecter ou de dépanner des soupapes qui pourraient avoir projeté de l'eau sur d'autres appareils électriques aux alentours.

- Retirer la soupape à tiroir de l'emballage. Tourner plusieurs fois la poignée de la soupape à tiroir pour vérifier que le piston bouge librement. En cas de dommage sur l'un des composants, veuillez appeler Zodiac au 1 800 822-7933.
- Débrancher l'alimentation vers le système.
 - Pour les **nouvelles** installations, les étapes « 3 » à « 6 » peuvent être sautées. Poursuivre avec l'étape 7.
- Ouvrir la soupape de surpression qui se trouve au-dessus du filtre. Attendre l'évacuation complète de l'air du système.
- Si le filtre est installé sous le niveau d'eau de la piscine, fermer les soupapes d'aspiration et les conduites de retour afin d'isoler le système de filtration ou vous assurer que les clapets de non-retour appropriés sont en place.
- Vider l'eau du filtre. Veuillez suivre les directives du fabricant concernant la vidange du filtre et vous assurer que les eaux usées sont éliminées de façon appropriée.
- Retirer la soupape existante du filtre.
- Retirer les deux joints toriques de l'emballage.
- Placer les joints toriques sur la face des pièces de raccordement, là où la face de la pièce de raccordement sera connectée aux ports du filtre, voir l'illustration 4.
 - Vous assurer que chaque joint torique est correctement inséré dans la rainure de chaque pièce de raccordement.
 - La soupape à tiroir possède des étiquettes moulées sur chaque orifice.
 - Les orifices sont équipés de raccords-unions qui correspondent aux connexions sur les orifices du filtre.
 - NE PAS UTILISER de produit d'étanchéité liquide sur les raccords filetés en plastique.
- Maintenir la soupape à tiroir à la verticale et la placer sur les orifices du filtre. Voir l'illustration 5.
- Serrer les deux écrous-raccords pour fixer la soupape sur le filtre.

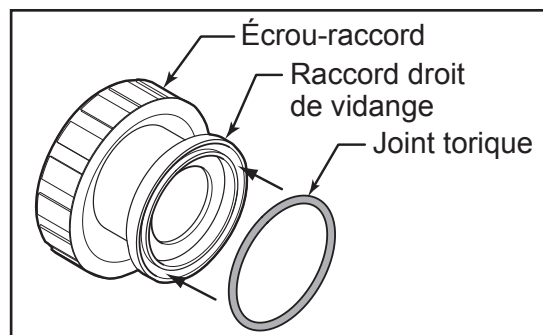


Illustration 4. Emplacement du joint torique

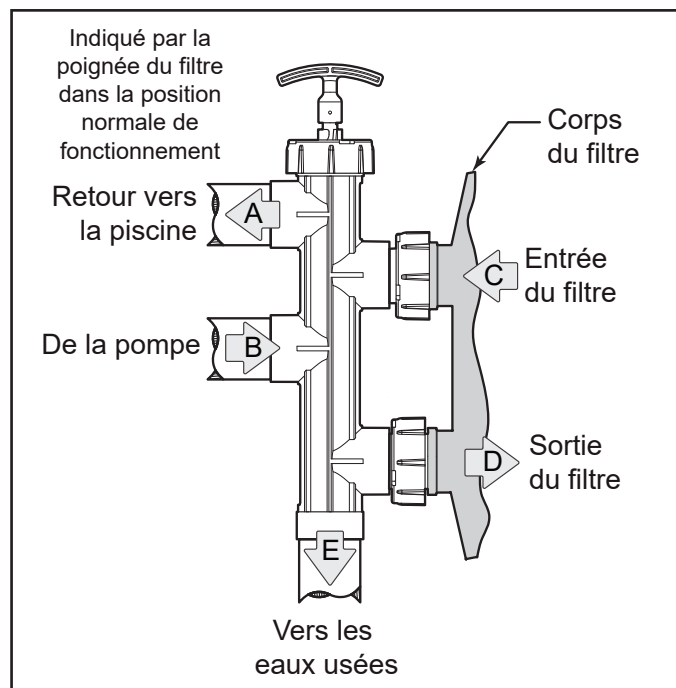


Illustration 5. BWVL-SLD installé

- Suivre les directives du fabricant du filtre pour l'installation du filtre sur le bloc d'équipement.
- Connecter la décharge de la pompe à l'orifice d'entrée de la soupape à tiroir étiquetée **PORT B**.
- Connecter l'orifice de sortie de la soupape à tiroir étiquetée **PORT A** à l'appareil de chauffage ou les conduites de retour de la piscine.
- Connecter l'orifice de sortie de la soupape à tiroir étiquetée **PORT E** au branchement d'évacuation d'eaux ménagères au besoin. Laisser les connexions sécher pendant 24 heures.
- Lorsque la colle est sèche, démarrer le système et vérifier le bon écoulement de l'eau.
- Après avoir vérifié le bon débit d'eau et avant de placer le système dans les conditions normales de fonctionnement, nettoyer le système à l'aide du mode de lavage à contre-courant jusqu'à ce que les eaux usées soient propres. Vous reporter à la section c pour les directives sur le fonctionnement du mode de lavage à contre-courant.

ATTENTION

Ne laissez aucune colle pénétrer dans le corps de la soupape à tiroir. La présence de colle dans le corps de la soupape empêchera le piston de bouger librement ou pourrait causer une fuite.

b. Fonctionnement normal

⚠ AVERTISSEMENT



Ne **JAMAIS** essayer de monter, de démonter ou de régler le filtre lorsque le système est sous pression. Démarrer la pompe alors que le système est sous pression peut provoquer le soufflage du couvercle du filtre, ce qui peut entraîner des dommages matériels, des blessures graves ou la mort.

1. Arrêter la ou les pompes de filtration.
2. Vous assurer que la poignée de la soupape à tiroir est complètement déployée avec la poignée et le piston poussés vers le bas.
3. Tourner la poignée jusqu'à ce que la goupille en acier inoxydable sur le piston se verrouille dans le support de position.
4. Démarrer la ou les pompes de filtration.
5. Ouvrir la soupape de surpression qui est au-dessus du filtre afin de libérer toute la pression de l'intérieur du réservoir et du système. Attendre que tout l'air soit libéré du système et fermer la soupape d'évacuation d'air.
6. Vérifier que le débit d'eau est normal.

c. Mode de lavage à contre-courant

1. Arrêter la ou les pompes de filtration.
2. Vous assurer que la poignée de la soupape à tiroir est complètement déployée (poignée tirée vers le haut).
3. Démarrer la ou les pompes du système.
4. Ouvrir la soupape de surpression qui est au-dessus du filtre afin de libérer toute la pression de l'intérieur du réservoir et du système. Attendre que tout l'air soit libéré du système et fermer la soupape d'évacuation d'air.
5. Faire fonctionner le système jusqu'à ce que les eaux usées soient propres.
 - Vous assurer de respecter tous les codes locaux applicables relatifs à la vidange/évacuation appropriée de l'eau de votre piscine/spa.
6. Arrêter la ou les pompes de filtration.
7. Remettre la poignée de la soupape à tiroir dans sa position normale de fonctionnement. Voir l'illustration 5.
8. Démarrer la ou les pompes du système et vérifier que le débit de l'eau est normal.

Section 4. Installation de SVLV8 avec le filtre de la série DEL

Le manuel suivant fournit des informations sur l'installation de la soupape à tiroir SVLV8 de Jandy sur le filtre de DEL de Jandy. Les directives doivent être suivies à la lettre. Lire toutes les directives avant de commencer la procédure d'installation. Veuillez conserver ces directives.

La soupape à tiroir est une soupape à deux positions. La poignée de la soupape doit être complètement déployée ou complètement enfoncée. **Cette soupape ne peut être étranglée.**

a. Installation

⚠ AVERTISSEMENT

Vous assurer que tous les dispositifs électriques du système sont éteints avant d'approcher, d'inspecter ou de dépanner des soupapes qui pourraient avoir projeté de l'eau sur d'autres appareils électriques aux alentours.

1. Retirer la soupape à tiroir de l'emballage. Tourner plusieurs fois la poignée de la soupape à tiroir pour vérifier que le piston bouge librement. En cas de dommage sur l'un des composants, veuillez appeler Zodiac au 1 800 822-7933.
2. Débrancher l'alimentation vers le système.
 - Pour les **nouvelles** installations, les étapes « 3 » à « 6 » peuvent être sautées. Poursuivre avec l'étape 7.
3. Ouvrir la soupape de surpression qui se trouve au-dessus du filtre. Attendre l'évacuation complète de l'air du système.
4. Si le filtre est installé sous le niveau d'eau de la piscine, fermer les soupapes d'aspiration et les conduites de retour afin d'isoler le système de filtration ou vous assurer que les clapets de non-retour appropriés sont en place.
5. Vider l'eau du filtre. Veuillez suivre les directives du fabricant concernant la vidange du filtre et vous assurer que les eaux usées sont éliminées de façon appropriée.
6. Retirer la soupape existante du filtre.
7. Retirer les deux joints toriques de l'emballage.
8. Placer les joints toriques sur la face des pièces de raccordement, là où la face de la pièce de raccordement sera connectée aux ports du filtre, voir l'illustration 6.
 - Vous assurer que chaque joint torique est correctement inséré dans la rainure de chaque pièce de raccordement.
 - La soupape à tiroir possède des étiquettes moulées sur chaque orifice.
 - Les orifices sont équipés de raccords-unions qui correspondent aux connexions sur les orifices du filtre.
 - NE PAS UTILISER de produit d'étanchéité liquide sur les raccords filetés en plastique.
9. Maintenir la soupape à tiroir à la verticale et la placer sur les orifices du filtre. Voir l'illustration 7.

10. Serrer les deux écrous-raccords pour fixer la soupape sur le filtre.
11. Suivre les directives du fabricant du filtre pour l'installation du filtre sur le bloc d'équipement.
12. Connecter la décharge de la pompe à l'orifice d'entrée de la soupape à tiroir étiquetée **PORT B**.
13. Connecter l'orifice de sortie de la soupape à tiroir étiquetée **PORT A** à l'appareil de chauffage ou les conduites de retour de la piscine.
14. Connecter l'orifice de sortie de la soupape à tiroir étiquetée **PORT E** au branchement d'évacuation d'eaux ménagères au besoin. Laisser les connexions sécher pendant 24 heures.
15. Lorsque la colle est sèche, démarrer le système et vérifier le bon écoulement de l'eau.
16. Après avoir vérifié le bon débit d'eau et avant de placer le système dans les conditions normales de fonctionnement, nettoyer le système à l'aide du mode de lavage à contre-courant jusqu'à ce que les eaux usées soient propres. Vous reporter à la section c pour les directives sur le fonctionnement du mode de lavage à contre-courant.

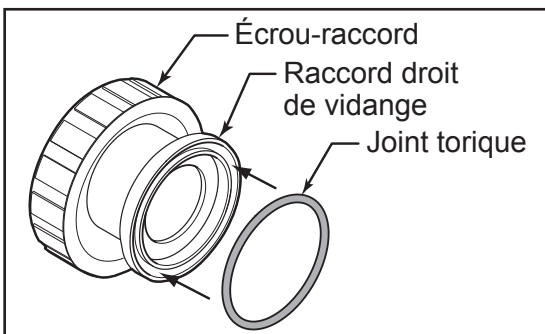


Illustration 6 Emplacement du joint torique

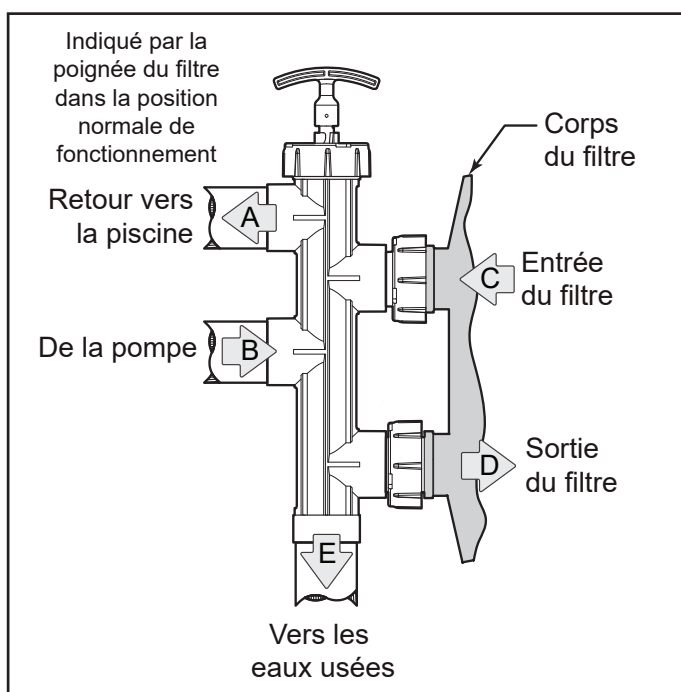


Illustration 7. SVLV8 installé

ATTENTION

Ne laissez aucune colle pénétrer dans le corps de la soupape à tiroir. La présence de colle dans le corps de la soupape empêchera le piston de bouger librement ou pourrait causer une fuite.

b. Fonctionnement normal

⚠ AVERTISSEMENT



Ne **JAMAIS** essayer de monter, de démonter ou de régler le filtre lorsque le système est sous pression. Démarrer la pompe alors que le système est sous pression peut provoquer le soufflage du couvercle du filtre, ce qui peut entraîner des dommages matériels, des blessures graves ou la mort.

1. Arrêter la ou les pompes de filtration.
2. Vous assurer que la poignée de la soupape à tiroir est complètement déployée avec la poignée et le piston poussés vers le bas.
3. Tourner la poignée jusqu'à ce que la goupille en acier inoxydable sur le piston se verrouille dans le support de position.
4. Démarrer la ou les pompes de filtration.
5. Ouvrir la soupape de surpression qui est au-dessus du filtre afin de libérer toute la pression de l'intérieur du réservoir et du système. Attendre que tout l'air soit libéré du système et fermer la soupape d'évacuation d'air.
6. Vérifier que le débit d'eau est normal.

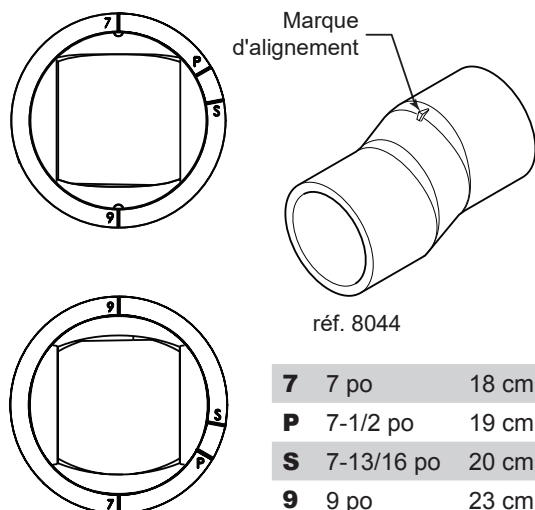
c. Mode de lavage à contre-courant

1. Arrêter la ou les pompes de filtration.
2. Vous assurer que la poignée de la soupape à tiroir est complètement déployée (poignée tirée vers le haut).
3. Démarrer la ou les pompes du système.
4. Ouvrir la soupape de surpression qui est au-dessus du filtre afin de libérer toute la pression de l'intérieur du réservoir et du système. Attendre que tout l'air soit libéré du système et fermer la soupape d'évacuation d'air.
5. Faire fonctionner le système jusqu'à ce que les eaux usées soient propres.
 - Vous assurer de respecter tous les codes locaux applicables relatifs à la vidange/évacuation appropriée de l'eau de votre piscine/spa.
6. Arrêter la ou les pompes de filtration.
7. Remettre la poignée de la soupape à tiroir dans sa position normale de fonctionnement. Voir l'illustration 7.
8. Démarrer la ou les pompes du système et vérifier que le débit de l'eau est normal.

Section 5. Installation de SVLV2 avec un filtre autre que Jandy

a. Coupleur Versa réf. 8044

Les connecteurs Versa Plumb® peuvent être utilisés sur des filtres avec des distances de port de 7 po à 9 po centres. Les faces des orifices du robinet ont quatre marques d'alignement. En utilisant les repères d'alignement sur le coupleur versa, les distances de port suivantes peuvent être atteintes :



- Mesurez la distance entre les orifices d'entrée et de sortie sur le corps du filtre.
- À l'aide des connecteurs Versa Plumb, réglez les marques d'alignement sur la position requise en fonction des mesures fournies ci-dessus.
- Alignez chaque coupleur versa sur le filtre et le tiroir avant de coller l'ensemble. Lorsque les pièces sont alignées, marquez chaque pièce pour vous assurer d'un réassemblage correct.

b. Installation

⚠ AVERTISSEMENT

Vous assurer que tous les dispositifs électriques du système sont éteints avant d'approcher, d'inspecter ou de dépanner des soupapes qui pourraient avoir projeté de l'eau sur d'autres appareils électriques aux alentours.

La section suivante fournit des instructions pour l'installation du robinet à tiroir Jandy SLVL2 sur un filtre autre que Jandy. Cela nécessite au moins un coupleur versa réf. 8044. Les directives doivent être suivies à la lettre. Lire toutes les directives avant de commencer la procédure d'installation. Veuillez conserver ces directives.

La soupape à tiroir est une soupape à deux positions. La poignée de la soupape doit être complètement déployée ou complètement enfoncée. **Cette soupape ne peut être étranglée.**

- Retirer la soupape à tiroir de l'emballage. Tourner plusieurs fois la poignée de la soupape à tiroir pour vérifier que le piston bouge librement. En cas de dommage sur l'un des composants, veuillez appeler Zodiac au 1 800 822-7933.

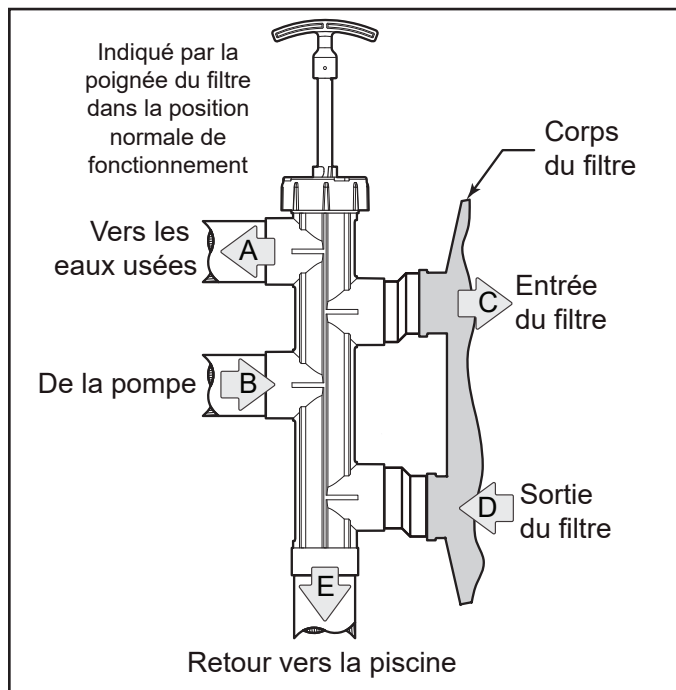


Illustration 8. SVLV2 avec coupleurs Versa installés

- Débrancher l'alimentation vers le système.
 - Pour les **nouvelles** installations, les étapes « 3 » à « 6 » peuvent être sautées. Poursuivre avec l'étape 7.
- Ouvrir la soupape de surpression qui se trouve au-dessus du filtre. Attendre l'évacuation complète de l'air du système.
- Si le filtre est installé sous le niveau d'eau de la piscine, fermer les soupapes d'aspiration et les conduites de retour afin d'isoler le système de filtration ou vous assurer que les clapets de non-retour appropriés sont en place.
- Vider l'eau du filtre. Veuillez suivre les directives du fabricant concernant la vidange du filtre et vous assurer que les eaux usées sont éliminées de façon appropriée.
- Retirer la soupape existante du filtre.
- Suivez les instructions du fabricant du filtre pour le placement du filtre sur la tablette de l'équipement.
- Glissez un (1) coupleur versa dans le **PORT C** et un (1) dans le **PORT D** sur le tiroir. Voir l'illustration 8.
- Tenez le robinet à tiroir jusqu'au filtre et tournez les coupleurs versa jusqu'à ce qu'ils glissent dans les orifices d'entrée et de sortie du filtre.
- Retirez le robinet du filtre. Nettoyez les coupleurs versa et collez-les sur le robinet en utilisant les marques d'alignement comme référence.
- Nettoyez le coupleur versa et collez-le sur le filtre, ou installez des pièces de raccordement de 2 po et des écrous de raccords.
 - La soupape à tiroir possède des étiquettes moulées sur chaque orifice.
 - NE PAS UTILISER de produit d'étanchéité liquide sur les raccords filetés en plastique.
 - S'il est collé, maintenez le coupleur en place pendant au moins une (1) minute.

12. Connecter la décharge de la pompe à l'orifice d'entrée de la soupape à tiroir étiquetée **PORT B**.
 13. Connecter l'orifice de sortie de la soupape à tiroir étiquetée **PORT E** à l'appareil de chauffage ou les conduites de retour de la piscine.
 14. Connecter l'orifice de sortie de la soupape à tiroir étiquetée **PORT A** au branchement d'évacuation d'eaux ménagères au besoin.
 15. Laisser les connexions sécher pendant 24 heures.
 16. Lorsque la colle est sèche, démarrer le système et vérifier le bon écoulement de l'eau.
 17. Après avoir vérifié le bon débit d'eau et avant de placer le système dans les conditions normales de fonctionnement, nettoyer le système à l'aide du mode de lavage à contre-courant jusqu'à ce que les eaux usées soient propres. Vous reporter à la section c pour les directives sur le fonctionnement du mode de lavage à contre-courant.
6. Faire fonctionner le système jusqu'à ce que les eaux usées soient propres.
 - Vous assurer de respecter tous les codes locaux applicables relatifs à la vidange/évacuation appropriée de l'eau de votre piscine/spa.
 7. Arrêter la ou les pompes de filtration.
 8. Remettre la poignée de la soupape à tiroir dans sa position normale de fonctionnement. Voir l'illustration 8.
 9. Démarrer la ou les pompes du système et vérifier que le débit de l'eau est normal.

ATTENTION

Ne laissez aucune colle pénétrer dans le corps de la soupape à tiroir. La présence de colle dans le corps de la soupape empêchera le piston de bouger librement ou pourrait causer une fuite.

c. Fonctionnement normal

! AVERTISSEMENT



Ne **JAMAIS** essayer de monter, de démonter ou de régler le filtre lorsque le système est sous pression. Démarrer la pompe alors que le système est sous pression peut provoquer le soufflage du couvercle du filtre, ce qui peut entraîner des dommages matériels, des blessures graves ou la mort.

1. Arrêter la ou les pompes de filtration.
2. Vous assurer que la poignée de la soupape à tiroir est complètement déployée (poignée tirée vers le haut).
3. Démarrer la ou les pompes de filtration.
4. Ouvrir la soupape de surpression qui est au-dessus du filtre afin de libérer toute la pression de l'intérieur du réservoir et du système. Attendre que tout l'air soit libéré du système et fermer la soupape d'évacuation d'air.
5. Vérifier que le débit d'eau est normal.

d. Mode de lavage à contre-courant

1. Arrêter la ou les pompes de filtration.
2. Vous assurer que la poignée de la soupape à tiroir est complètement déployée avec la poignée et le piston poussés vers le bas.
3. Tourner la poignée jusqu'à ce que la goupille en acier inoxydable sur le piston se verrouille dans le support de position.
4. Démarrer la ou les pompes du système.
5. Ouvrir la soupape de surpression qui est au-dessus du filtre afin de libérer toute la pression de l'intérieur du réservoir et du système. Attendre que tout l'air soit libéré du système et fermer la soupape d'évacuation d'air.

Section 6. Dépannage

⚠ AVERTISSEMENT



Ne **JAMAIS** essayer de monter, de démonter ou de régler le filtre lorsque le système est sous pression. Démarrer la pompe alors que le système est sous pression peut provoquer le soufflage du couvercle du filtre, ce qui peut entraîner des dommages matériels, des blessures graves ou la mort.

1. Arrêter la ou les pompes de filtration.
2. Desserrer l'écrou-raccord du couvercle. Voir l'illustration 9.
3. Saisir la poignée de la soupape à tiroir et tirer l'ensemble de l'arbre hors de la soupape. Voir l'illustration 10.
4. Inspecter l'arbre et les joints toriques pour rechercher des traces d'usure, des coupures, des fissures et des débris. Si les joints toriques présentent des signes d'usure ou de détérioration, les remplacer par la trousse de remplacement des joints toriques et des goupilles cylindriques de Jandy.

REMARQUE L'inspection du joint torique inclut aussi le joint torique du couvercle. Veuillez prendre note du fait que les goupilles cylindriques sont de longueur différente; la goupille cylindrique de la poignée mesure 1 po de long et la goupille cylindrique de l'arbre mesure 13/16 po de long.

5. Laver l'arbre et les joints toriques avec de l'eau propre et les sécher avec un chiffon non pelucheux. *Vous assurer d'avoir enlevé tous les débris.*
6. Laver la surface du couvercle de la soupape (là où est placé le couvercle du joint torique) et le sécher avec un chiffon non pelucheux. *Vous assurer d'avoir enlevé tous les débris.*
7. Lubrifier les joints toriques avec un lubrifiant 100 % silicone, comme Magic Lube® II. *Ne pas utiliser de lubrifiant contenant des produits pétroliers.*
8. Replacer l'arbre dans la soupape à tiroir et serrer l'écrou-raccord du couvercle.

9. Remettre la poignée de la soupape à tiroir dans sa position normale de fonctionnement. Vous reporter à la section appropriée en fonction de votre soupape spécifique et de son filtre (vous référer à la page 2 du présent manuel).
10. Démarrer la ou les pompes du système et vérifier que le débit de l'eau est normal.

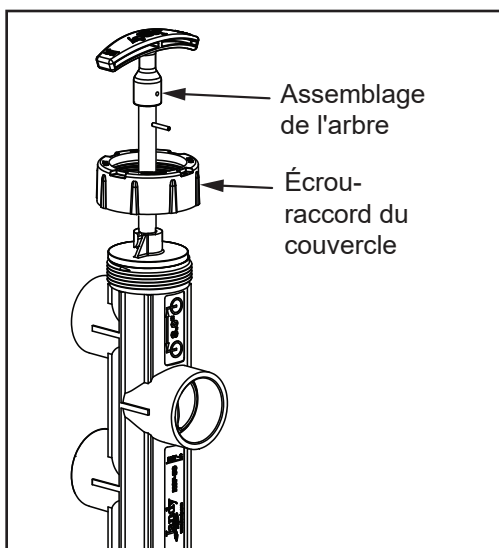


Illustration 9. Desserrer le couvercle

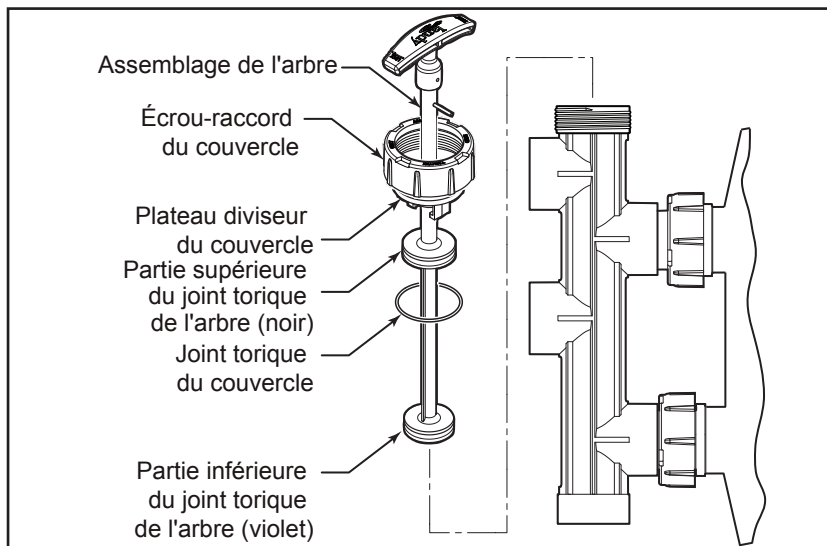


Illustration 10. Retirer les soupapes à tiroir de l'ensemble de l'arbre

Section 7. Hivernage

ATTENTION

Si elle n'est pas correctement aménagée pour l'hiver, la soupape à tiroir sera endommagée, ce qui augmentera le risque de blessures.

! AVERTISSEMENT



Ne **JAMAIS** essayer de monter, de démonter ou de régler le filtre lorsque le système est sous pression. Démarrer la pompe alors que le système est sous pression peut provoquer le soufflage du couvercle du filtre, ce qui peut entraîner des dommages matériels, des blessures graves ou la mort.

1. Arrêter la ou les pompes de filtration.
2. Ouvrir la soupape de surpression qui est au-dessus du filtre afin de libérer toute la pression de l'intérieur du réservoir et du système. Attendre que tout l'air soit libéré du système et fermer la soupape d'évacuation d'air.
3. Desserrer l'écrou-raccord du couvercle.
Voir l'illustration 9.
4. Saisir la poignée de la soupape à tiroir et tirer l'ensemble de l'arbre hors de la soupape.
Voir l'illustration 10.
5. Laisser toute l'eau s'écouler hors de la soupape.
6. Lorsqu'il n'y a plus d'eau dans la soupape, replacer l'arbre dans la soupape à tiroir et serrer l'écrou-raccord du couvercle.
7. Positionner la soupape à tiroir en mode Lavage à contre-courant.

Section 8. Performance

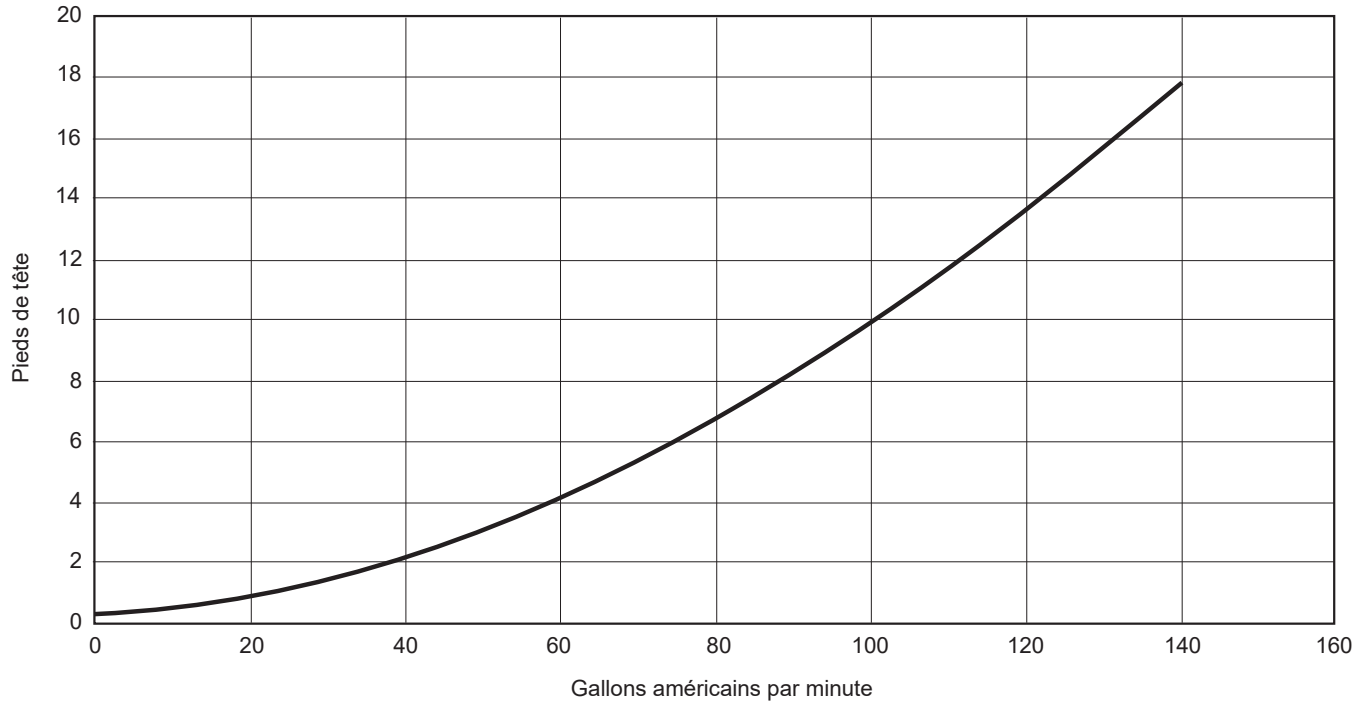
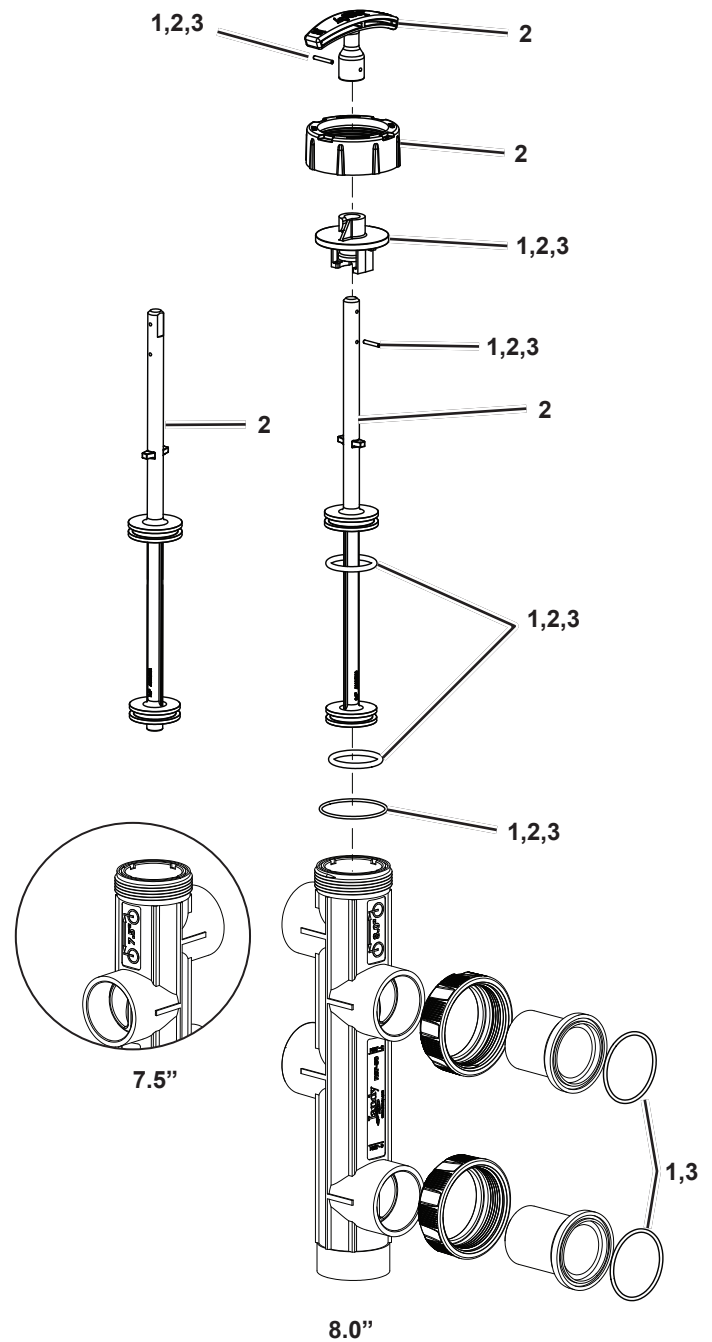


Illustration 6. Courbe de perte de pression de la soupape à tiroir (soupape à tiroir avec données du filtre SFSM indiqué)

Section 9. Vue éclatée de la soupape à tiroir et liste des pièces de rechange

No. de clé	Description	Qté	Commande Référence
1	Trousse de reconstruction (Joints toriques, goupilles cylindriques et plateau diviseur/couvercle) (BWVL-SLD)		R0473000
	Joint torique, couvercle	1	
	Joint torique, arbre, partie supérieure, noir	1	
	Joint torique, arbre, partie inférieure, violet	1	
	Joint torique, pièce de raccordement	2	
	Goupille cylindrique, poignée (1 po)	1	
	Goupille cylindrique, arbre ($^{13}/_{16}$ po)	1	
	Plateau diviseur/couvercle	1	
2	Trousse de remplacement de l'arbre		R0442200
	Arbre, espacement de 8,0	1	
	Arbre, espacement de 7,5	1	
	Poignée	1	
	Goupille cylindrique, poignée (1 po)	1	
	Goupille cylindrique, arbre ($^{13}/_{16}$ po)	1	
	Plateau diviseur/couvercle	1	
	Écrou-raccord du couvercle	1	
	Joint torique, couvercle	1	
	Joint torique, arbre, partie supérieure, noir	1	
	Joint torique, arbre, partie inférieure, violet	1	
3	Trousse de remplacement des joints toriques et goupilles cylindriques (SVLV8)		R0442100
	Goupille cylindrique, poignée (1 po)	1	
	Goupille cylindrique, arbre ($^{13}/_{16}$ po)	1	
	Plateau diviseur	1	
	Joint torique, arbre, partie supérieure, noir	1	
	Joint torique, arbre, partie inférieure, violet	1	
	Joint torique, pièce de raccordement	3	



Zodiac Pool Systems LLC
2882 Whiptail Loop # 100, Carlsbad, CA 92010
USA | Jandy.com | 1.800.822.7933

Zodiac Pool Systems Canada, Inc.
2-3365 Mainway
Burlington, ON L7M 1A6 Canada
1.888.647.4004 | www.ZodiacPoolSystems.ca



Certifié selon la norme
NSF/ANSI 50

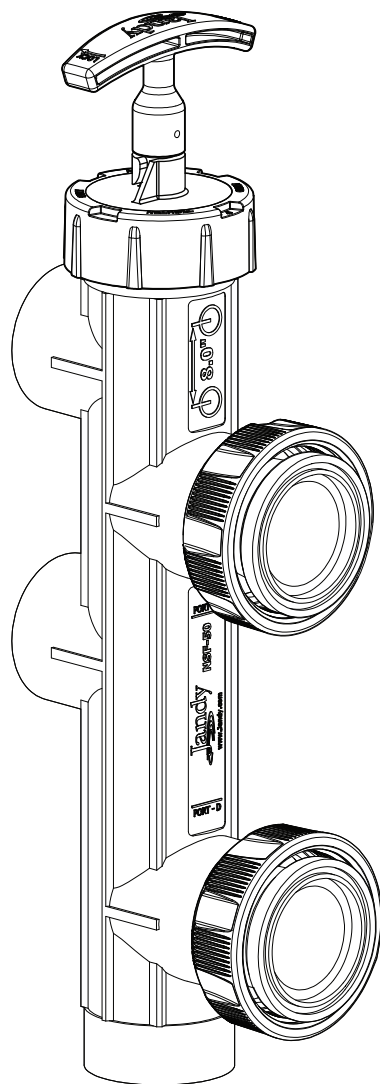
©2021 Zodiac Pool Systems LLC. Tous droits réservés. ZODIAC® est une marque déposée de Zodiac International, S.A.S.U, utilisée sous licence. Toutes les autres marques de commerce mentionnées sont la propriété de leurs propriétaires respectifs.

H0617700_REVD



MANUAL DE INSTALACIÓN Y OPERACIÓN

ESPAÑOL



Jandy

Válvula de corredera y válvula de retrolavado

⚠ ADVERTENCIA

PARA SU SEGURIDAD: La instalación y el servicio técnico de este producto deben estar a cargo de un contratista calificado y matriculado para trabajar con equipamientos para piscinas en la jurisdicción en la que se instalará el producto, donde existan tales requisitos estatales o locales. El técnico de servicio debe ser profesional y contar con experiencia suficiente en instalación y mantenimiento de equipamientos para piscinas, para que todas las instrucciones de este manual se puedan seguir exactamente. La instalación y la operación incorrectas pueden crear una alta presión peligrosa, que puede provocar una falla catastrófica del producto y hacer que la tapa del filtro sea expulsada y provoque la muerte, lesiones graves o daños materiales.

Antes de instalar este producto, lea y siga todos los avisos de advertencia y las instrucciones que se proporcionan con el producto. Si no se siguen los avisos de advertencia y las instrucciones, es posible que se produzcan muerte, lesiones graves o daños materiales. Para obtener ayuda, comuníquese con el servicio al cliente de Zodiac al 1-800-822-7933. La instalación o el funcionamiento incorrectos pueden anular la garantía.

Contenido

Sección 1. Información de seguridad.....	32
Sección 2. Instalación de válvula BWVL-SLD-75 con filtro Serie SFSM.....	33
Sección 3. Instalación de válvula BWVL-SLD con filtro Serie DEV o JS.....	35
Sección 4. Instalación de válvula SVLV8 con filtro Serie DEL.....	36
Sección 5. Instalación de válvula SVLV2 con filtros de otros fabricantes.....	38
Sección 6. Servicio.....	40
Sección 7. Preparación para el invierno.....	41
Sección 8. Desempeño.....	42
Sección 9. Vista ampliada de la válvula de corredera y lista de repuestos.....	43

Sección 1. Información de seguridad

⚠ ADVERTENCIA

PARA SU SEGURIDAD: Un técnico profesional de servicio para piscinas/spas debe instalar y dar servicio a este producto. Los procedimientos indicados en esta ficha de instrucciones se deben seguir con exactitud. La instalación o el funcionamiento incorrectos pueden anular la garantía.

⚠ ADVERTENCIA

Asegúrese de que toda energía eléctrica al sistema esté apagada antes de inspeccionar, llevar a cabo la resolución de problemas o aproximarse a cualquier válvula con fugas que podrían haber humedecido otros dispositivos eléctricos en el área circundante. De lo contrario, podría haber un peligro eléctrico que podría resultar en la muerte o en lesiones graves debido a choque eléctrico, y también podría haber daños materiales.

⚠ ADVERTENCIA



- No conecte el sistema a un sistema de agua de la ciudad sin regular ni a ninguna otra fuente externa de agua presurizada que produzca presiones de más de 35 PSI.
- El aire presurizado en el sistema puede provocar la falla del producto o que la tapa del filtro salga expulsada, lo que puede resultar en la muerte, en lesiones personales graves o en daños materiales. Asegúrese de que ya no haya aire en el sistema antes de operar o de probar el equipo.

⚠ ADVERTENCIA

Para minimizar el riesgo de lesiones graves o de muerte, no se deben someter el filtro ni la bomba a la prueba de presurización del sistema de tuberías.

Las normas locales pueden requerir que el sistema de tuberías de la piscina sea sometido a una prueba de presión. Estos requisitos no suelen estar destinados a los equipos para piscinas como filtros o bombas.

Los equipamientos para piscinas Jandy se someten a una prueba de presión en la fábrica.

Sin embargo, si no se puede respetar esta ADVERTENCIA y la prueba de presión del sistema de tuberías debe incluir el filtro y la bomba, **ASEGÚRESE DE CUMPLIR LAS SIGUIENTES INSTRUCCIONES DE SEGURIDAD:**



- Verifique todos los pernos, las abrazaderas, las tapas, los anillos de bloqueo y los accesorios del sistema para asegurarse de que estén correctamente instalados y asegurados antes de las pruebas.
- **LIBERE TODO EL AIRE** del sistema antes de las pruebas.
- **NO SE DEBE USAR PRESIÓN DE AIRE** para las pruebas de presión.
- La presión de agua para la prueba **NO DEBE EXCEDER LOS 35 PSI**.
- La temperatura del agua para la prueba **NO DEBE EXCEDER LOS 100 °F (38 °C)**.
- Limite la prueba a 24 horas. Después de la prueba, verifique visualmente el sistema para asegurarse de que esté listo para su operación.

Aviso: Estos parámetros se aplican únicamente al equipo Jandy. En el caso de equipos de otra marca, consulte con el fabricante.

PRECAUCIÓN

No haga funcionar la bomba sin agua. Hacer funcionar la bomba “en seco” durante cualquier período de tiempo puede causar daños graves tanto a la bomba como al motor, lo que anulará la garantía.

⚠ ADVERTENCIA

Para evitar el riesgo de daños o lesiones, verifique que toda la energía esté apagada antes de comenzar este procedimiento.

LEA Y SIGA TODAS LAS INSTRUCCIONES

Sección 2. Instalación de válvula BWVL-SLD-75 con filtro Serie SFSM

El siguiente manual proporciona instrucciones para instalar la válvula de corredera BWVL-SLD-75 de Jandy en el filtro serie SFSM de Jandy. Las instrucciones deben seguirse con exactitud. Lea las instrucciones en su totalidad antes de comenzar el procedimiento. Guarde estas instrucciones.

La válvula de corredera es una válvula de dos posiciones. La manija de la válvula debe estar completamente extendida o completamente presionada. **Esta válvula no puede regularse.**

a. Instalación

⚠ ADVERTENCIA

Asegúrese de que toda energía eléctrica al sistema esté apagada antes de inspeccionar, llevar a cabo la resolución de problemas o aproximarse a cualquier válvula con fugas que podrían haber humedecido otros dispositivos eléctricos en el área circundante.

1. Extraiga la válvula de corredera del embalaje. Gire la manija de la válvula de corredera varias veces para verificar que el pistón se mueva libremente. Si alguno de los componentes presenta señales de daño, llame a Zodiac al 1-800-822-7933.
2. Apague toda energía al sistema.
 - Para las **nuevas** instalaciones, pueden omitirse los pasos "3" a "6". Continúe con el paso 7.
3. Abra la válvula de alivio de presión de la parte superior del filtro. Espere que todo el aire evacue el sistema.
4. Si el filtro se instala por debajo del nivel de la piscina, cierre las válvulas de las líneas de succión y de retorno para aislar el sistema de filtrado o asegúrese de que haya instaladas válvulas de retención de aislamiento correctas.
5. Drene el agua del filtro. Siga las instrucciones de drenaje del fabricante del filtro y asegúrese de que las aguas residuales se eliminen correctamente.
6. Extraiga la válvula existente del filtro.
7. Extraiga las dos juntas tóricas del embalaje.
8. Coloque las juntas tóricas en la cara de los apéndices de la unión, donde la cara de la unión se conectará con los puertos del filtro. Consulte la Figura 1.
 - Asegúrese de que cada junta tórica esté asentada correctamente en la ranura de cada apéndice de unión.
 - La válvula de corredera tiene etiquetas moldeadas en cada puerto.
 - Los puertos están equipados con conexiones de unión que coinciden con las conexiones de los puertos del filtro.
 - **NO USE** sellador líquido para roscas en ninguna conexión roscada de plástico.
9. Sostenga la válvula de corredera en posición vertical y colóquela en los puertos del filtro. Consulte la Figura 2.
10. Apriete ambas tuercas de unión para fijar la válvula en el filtro.
11. Siga las instrucciones del fabricante del filtro para colocar el filtro en la base del equipo.

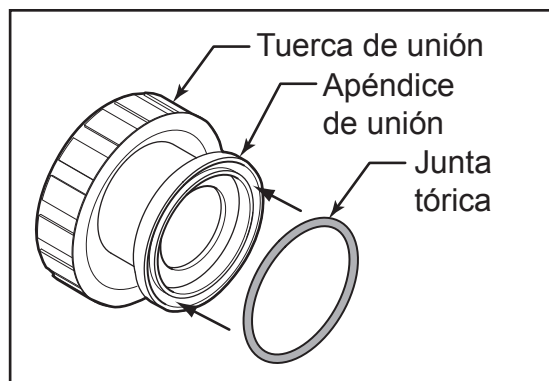


Figura 1. Colocación de la junta tórica

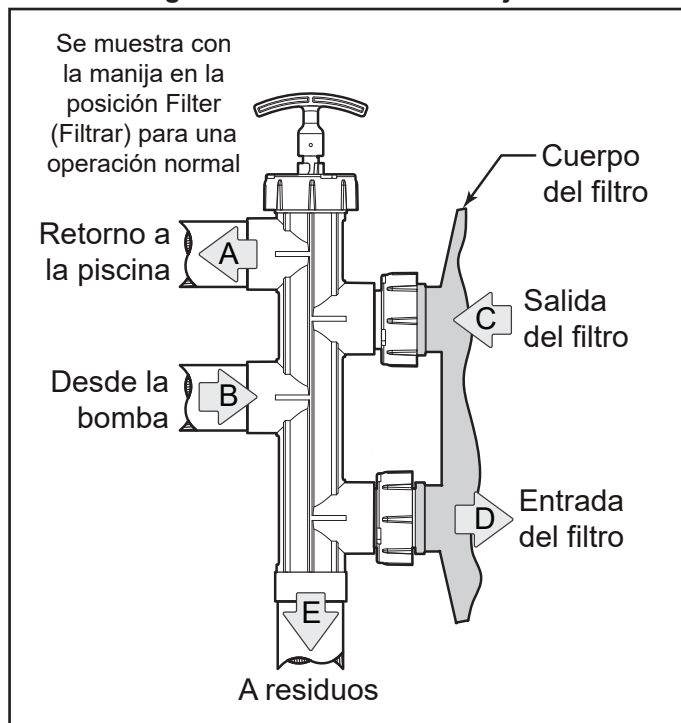


Figura 2. BWVL-SLD-75 instalada

12. Conecte con tubo la descarga de la bomba en la entrada de la válvula de corredera etiquetada **PORT B (PUERTO B)**.
13. Conecte con tubo la salida de la válvula de corredera etiquetada **PORT E (PUERTO E)** a las líneas de retorno del calentador o de la piscina.
14. Conecte con tubo la salida de la válvula de corredera etiquetada **PORT A (PUERTO A)** a la línea de desperdicio, según sea necesario. Permita que las conexiones se sequen durante 24 horas.
15. Cuando el adhesivo esté seco, inicie el sistema y verifique que el flujo de agua sea correcto.
16. Después de verificar el flujo de agua correcto y antes de poner el sistema en condiciones operativas normales, enjuague el sistema con el modo de retrolavado hasta que las aguas residuales estén limpias. Consulte la Sección c para obtener instrucciones de operación en modo de retrolavado.

PRECAUCIÓN

No permita que acceda adhesivo al cuerpo de la válvula de corredera. El adhesivo dentro del cuerpo de la válvula evitará que el pistón se mueva libremente o provocará que la válvula tenga fugas.

b. Operación normal

⚠ ADVERTENCIA



NUNCA intente armar, desarmar ni ajustar el filtro cuando hay aire presurizado en el sistema. La puesta en marcha de la bomba cuando hay aire presurizado en el sistema puede provocar que la tapa del filtro salga expulsada, lo que puede provocar la muerte, lesiones personales graves o daños materiales.

1. Apague las bombas del sistema.
2. Asegúrese de que la manija de la válvula de corredera esté completamente extendida (manija tirada todo el trayecto hacia arriba).
3. Encienda las bombas del filtro.
4. Abra la válvula de alivio de aire de la parte superior del tanque del filtro para liberar toda la presión de dentro del tanque y del sistema. Espere que todo el aire se evacue del sistema y, a continuación, cierre la válvula de alivio de aire.
5. Verifique que el flujo de agua del sistema sea normal.

c. Modo de retrolavado

1. Apague las bombas del sistema.
2. Asegúrese de que la manija de la válvula de corredera esté completamente presionada con la manija y el pistón empujados todo el trayecto hacia abajo.
3. Gire la manija hasta que el pasador de acero inoxidable del pistón se bloquee en el soporte de posición.
4. Encienda las bombas del sistema.
5. Abra la válvula de alivio de aire de la parte superior del tanque del filtro para liberar toda la presión de dentro del tanque y del sistema. Espere que todo el aire se evacue del sistema y, a continuación, cierre la válvula de alivio de aire.
6. Haga funcionar el sistema hasta que las aguas residuales fluyan limpias.
 - Asegúrese de cumplir todos y cada uno de los códigos locales aplicables en relación con la descarga/el drenaje correctos del agua de la piscina/ del spa.
7. Apague las bombas del sistema.
8. Regrese la manija de la válvula a la posición de operación normal. Consulte la Figura 2.
9. Encienda las bombas del sistema y verifique que el flujo de agua sea normal.

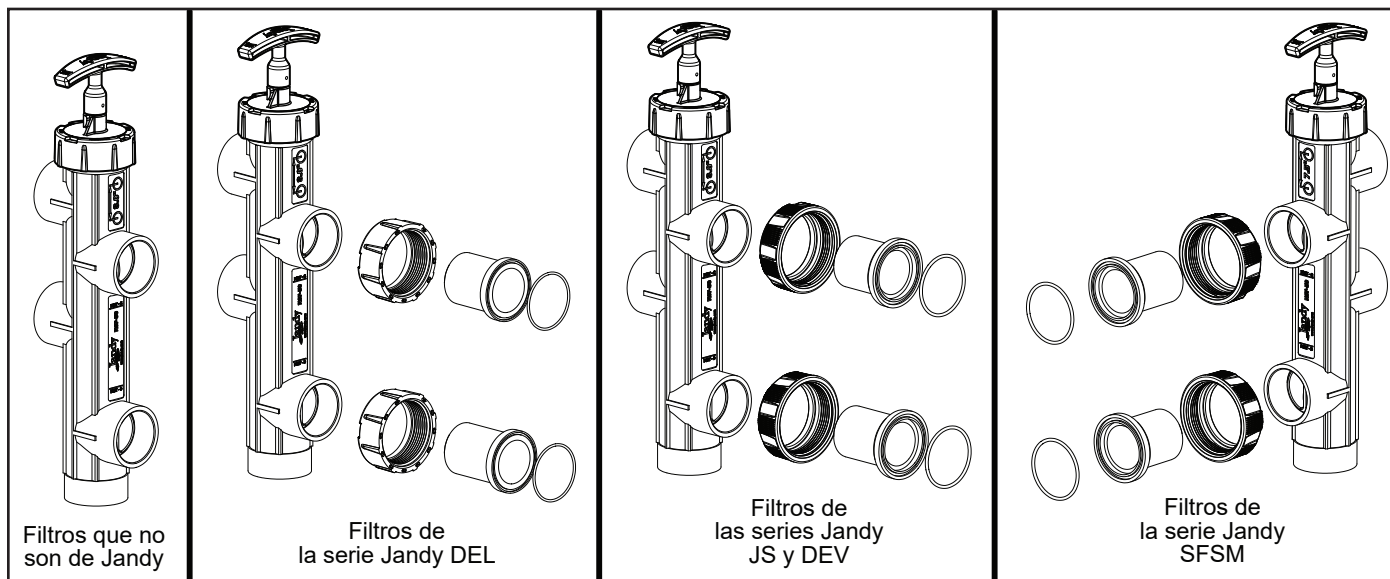


Figure 3. Conexiones del filtro de la válvula deslizante y de retrolavado Jandy

Modelo de filtro	Modelos de deslizamiento y retrolavado			
	BWVL-SLD	BWVL-SLD-75	SVLV8	SVLV2
Serie Jandy JS	X			
Serie Jandy DEV	X			
Serie Jandy SFSM		X		
Serie Jandy DEL			X	
Filtros que no son de Jandy*				X*

* También requiere el kit de acoplador Versa 8044

Table 1. Modelos de deslizamiento y retrolavado

Sección 3. Instalación de válvula BWVL-SLD con filtro Serie DEV o JS

En la siguiente sección encontrará instrucciones para instalar la válvula deslizante BWVL-SLD Jandy en filtros DEV o JS. Las instrucciones deben seguirse con exactitud. Lea las instrucciones en su totalidad antes de comenzar el procedimiento. Guarde estas instrucciones.

La válvula de corredera es una válvula de dos posiciones. La manija de la válvula debe estar completamente extendida o completamente presionada. **Esta válvula no puede regularse.**

a. Instalación

⚠ ADVERTENCIA

Asegúrese de que toda energía eléctrica al sistema esté apagada antes de inspeccionar, llevar a cabo la resolución de problemas o aproximarse a cualquier válvula con fugas que podrían haber humedecido otros dispositivos eléctricos en el área circundante.

1. Extraiga la válvula de corredera del embalaje. Gire la manija de la válvula de corredera varias veces para verificar que el pistón se mueva libremente. Si alguno de los componentes presenta señales de daño, llame a Zodiac al 1-800-822-7933.
2. Apague toda energía al sistema.
 - Para las **nuevas** instalaciones, pueden omitirse los pasos "3" a "6". Continúe con el paso 7.
3. Abra la válvula de alivio de presión de la parte superior del filtro. Espere que todo el aire evacue el sistema.
4. Si el filtro se instala por debajo del nivel de la piscina, cierre las válvulas de las líneas de succión y de retorno para aislar el sistema de filtrado o asegúrese de que haya instaladas válvulas de retención de aislamiento correctas.
5. Drene el agua del filtro. Siga las instrucciones de drenaje del fabricante del filtro y asegúrese de que las aguas residuales se eliminen correctamente.
6. Extraiga la válvula existente del filtro.
7. Extraiga las dos juntas tóricas del embalaje.
8. Coloque las juntas tóricas en la cara de los apéndices de la unión, donde la cara de la unión se conectará con los puertos del filtro. Consulte la Figura 4.
 - Asegúrese de que cada junta tórica esté asentada correctamente en la ranura de cada apéndice de unión.
 - La válvula de corredera tiene etiquetas moldeadas en cada puerto.
 - Los puertos están equipados con conexiones de unión que coinciden con las conexiones de los puertos del filtro.
 - NO USE sellador líquido para roscas en ninguna conexión roscada de plástico.
9. Sostenga la válvula de corredera en posición vertical y colóquela en los puertos del filtro. Consulte la Figura 5.
10. Apriete ambas tuercas de unión para fijar la válvula en el filtro.
11. Siga las instrucciones del fabricante del filtro para colocar el filtro en la base del equipo.

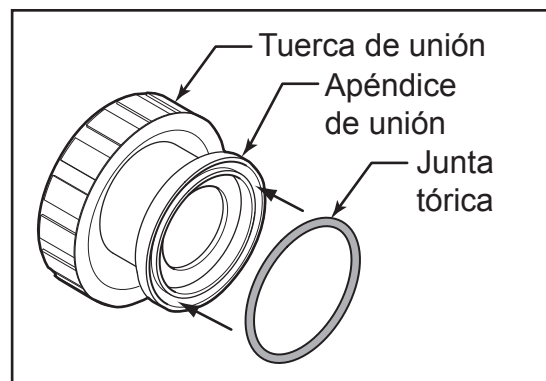


Figura 4. Colocación de la junta tórica

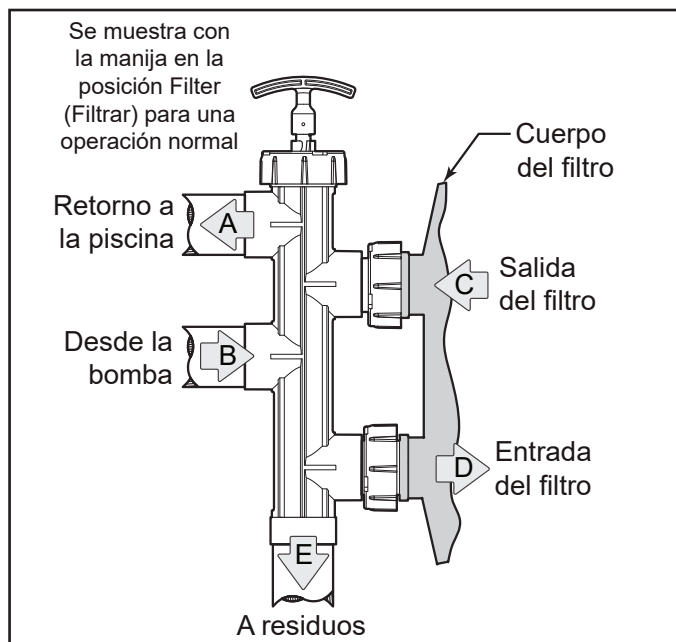


Figura 5. BWVL-SLD instalada

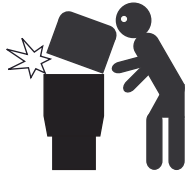
12. Conecte con tubo la descarga de la bomba en la entrada de la válvula de corredera etiquetada **PORT B (PUERTO B)**.
13. Conecte con tubo la salida de la válvula de corredera etiquetada **PORT A (PUERTO A)** a las líneas de retorno del calentador o de la piscina.
14. Conecte con tubo la salida de la válvula de corredera etiquetada **PORT E (PUERTO E)** a la línea de desperdicio, según sea necesario. Permita que las conexiones se sequen durante 24 horas.
15. Cuando el adhesivo esté seco, inicie el sistema y verifique que el flujo de agua sea correcto.
16. Después de verificar el flujo de agua correcto y antes de poner el sistema en condiciones operativas normales, enjuague el sistema con el modo de retrolavado hasta que las aguas residuales estén limpias. Consulte la Sección c para obtener instrucciones de operación en modo de retrolavado.

PRECAUCIÓN

No permita que acceda adhesivo al cuerpo de la válvula de corredera. El adhesivo dentro del cuerpo de la válvula evitará que el pistón se mueva libremente o provocará que la válvula tenga fugas.

b. Operación normal

⚠ ADVERTENCIA



NUNCA intente armar, desarmar ni ajustar el filtro cuando hay aire presurizado en el sistema. La puesta en marcha de la bomba cuando hay aire presurizado en el sistema puede provocar que la tapa del filtro salga expulsada, lo que puede provocar la muerte, lesiones personales graves o daños materiales.

1. Apague las bombas del sistema.
2. Asegúrese de que la manija de la válvula de corredera esté completamente presionada con la manija y el pistón empujados todo el trayecto hacia abajo.
3. Gire la manija hasta que el pasador de acero inoxidable del pistón se bloquee en el soporte de posición.
4. Encienda las bombas del filtro.
5. Abra la válvula de alivio de aire de la parte superior del tanque del filtro para liberar toda la presión de dentro del tanque y del sistema. Espere que todo el aire se evacue del sistema y, a continuación, cierre la válvula de alivio de aire.
6. Verifique que el flujo de agua del sistema sea normal.

c. Modo de retrolavado

1. Apague las bombas del sistema.
2. Asegúrese de que la manija de la válvula de corredera esté completamente extendida (manija tirada todo el trayecto hacia arriba).
3. Encienda las bombas del sistema.
4. Abra la válvula de alivio de aire de la parte superior del tanque del filtro para liberar toda la presión de dentro del tanque y del sistema. Espere que todo el aire se evacue del sistema y, a continuación, cierre la válvula de alivio de aire.
5. Haga funcionar el sistema hasta que las aguas residuales fluyan limpias.
 - Asegúrese de cumplir todos y cada uno de los códigos locales aplicables en relación con la descarga/el drenaje correctos del agua de la piscina/ del spa.
6. Apague las bombas del sistema.
7. Regrese la manija de la válvula a la posición de operación normal. Consulte la Figura 5.
8. Encienda las bombas del sistema y verifique que el flujo de agua sea normal.

Sección 4. Instalación de válvula SVLV8 con filtro Serie DEL

El siguiente manual proporciona instrucciones para instalar la válvula de corredera SVLV8 de Jandy en el filtro serie DEL de Jandy. Las instrucciones deben seguirse con exactitud. Lea las instrucciones en su totalidad antes de comenzar el procedimiento. Guarde estas instrucciones.

La válvula de corredera es una válvula de dos posiciones. La manija de la válvula debe estar completamente extendida o completamente presionada. **Esta válvula no puede regularse.**

a. Instalación

⚠ ADVERTENCIA

Asegúrese de que toda energía eléctrica al sistema esté apagada antes de inspeccionar, llevar a cabo la resolución de problemas o aproximarse a cualquier válvula con fugas que podrían haber humedecido otros dispositivos eléctricos en el área circundante.

1. Extraiga la válvula de corredera del embalaje. Gire la manija de la válvula de corredera varias veces para verificar que el pistón se mueva libremente. Si alguno de los componentes presenta señales de daño, llame a Zodiac al 1-800-822-7933.
2. Apague toda energía al sistema.
 - Para las **nuevas** instalaciones, pueden omitirse los pasos “3” a “6”. Continúe con el paso 7.
3. Abra la válvula de alivio de presión de la parte superior del filtro. Espere que todo el aire evacue el sistema.
4. Si el filtro se instala por debajo del nivel de la piscina, cierre las válvulas de las líneas de succión y de retorno para aislar el sistema de filtrado o asegúrese de que haya instaladas válvulas de retención de aislamiento correctas.
5. Drene el agua del filtro. Siga las instrucciones de drenaje del fabricante del filtro y asegúrese de que las aguas residuales se eliminen correctamente.
6. Extraiga la válvula existente del filtro.
7. Extraiga las dos juntas tóricas del embalaje.
8. Coloque las juntas tóricas en la cara de los apéndices de la unión, donde la cara de la unión se conectará con los puertos del filtro. Consulte la Figura 6.
 - Asegúrese de que cada junta tórica esté asentada correctamente en la ranura de cada apéndice de unión.
 - La válvula de corredera tiene etiquetas moldeadas en cada puerto.
 - Los puertos están equipados con conexiones de unión que coinciden con las conexiones de los puertos del filtro.
 - NO USE sellador líquido para roscas en ninguna conexión roscada de plástico.
9. Sostenga la válvula de corredera en posición vertical y colóquela en los puertos del filtro. Consulte la Figura 7.
10. Apriete ambas tuercas de unión para fijar la válvula en el filtro.

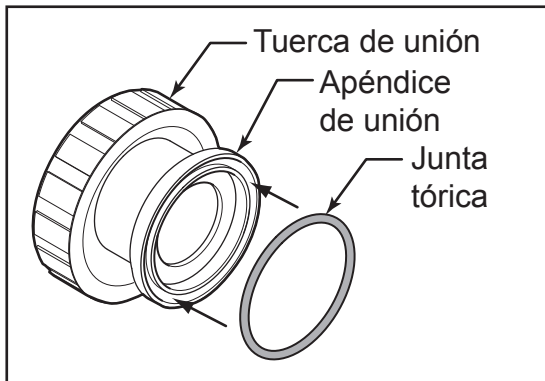


Figura 6. Colocación de la junta tórica

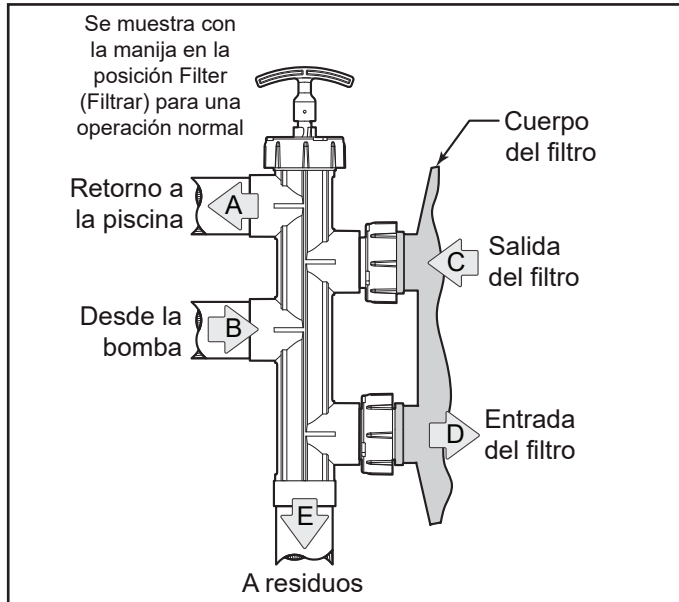
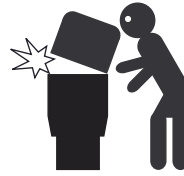


Figura 7. SVLV8 instalada

11. Siga las instrucciones del fabricante del filtro para colocar el filtro en la base del equipo.
12. Conecte con tubo la descarga de la bomba en la entrada de la válvula de corredera etiquetada **PORT B (PUERTO B)**.
13. Conecte con tubo la salida de la válvula de corredera etiquetada **PORT A (PUERTO A)** a las líneas de retorno del calentador o de la piscina.
14. Conecte con tubo la salida de la válvula de corredera etiquetada **PORT E (PUERTO E)** a la línea de desperdicio, según sea necesario. Permita que las conexiones se sequen durante 24 horas.
15. Cuando el adhesivo esté seco, inicie el sistema y verifique que el flujo de agua sea correcto.
16. Después de verificar el flujo de agua correcto y antes de poner el sistema en condiciones operativas normales, enjuague el sistema con el modo de retrolavado hasta que las aguas residuales estén limpias. Consulte la Sección c para obtener instrucciones de operación en modo de retrolavado.

b. Operación normal

⚠ ADVERTENCIA



NUNCA intente armar, desarmar ni ajustar el filtro cuando hay aire presurizado en el sistema. La puesta en marcha de la bomba cuando hay aire presurizado en el sistema puede provocar que la tapa del filtro salga expulsada, lo que puede provocar la muerte, lesiones personales graves o daños materiales.

1. Apague las bombas del sistema.
2. Asegúrese de que la manija de la válvula de corredera esté completamente presionada con la manija y el pistón empujados todo el trayecto hacia abajo.
3. Gire la manija hasta que el pasador de acero inoxidable del pistón se bloquee en el soporte de posición.
4. Encienda las bombas del filtro.
5. Abra la válvula de alivio de aire de la parte superior del tanque del filtro para liberar toda la presión de dentro del tanque y del sistema. Espere que todo el aire se evacue del sistema y, a continuación, cierre la válvula de alivio de aire.
6. Verifique que el flujo de agua del sistema sea normal.

c. Modo de retrolavado

1. Apague las bombas del sistema.
2. Asegúrese de que la manija de la válvula de corredera esté completamente extendida (manija tirada todo el trayecto hacia arriba).
3. Encienda las bombas del sistema.
4. Abra la válvula de alivio de aire de la parte superior del tanque del filtro para liberar toda la presión de dentro del tanque y del sistema. Espere que todo el aire se evacue del sistema y, a continuación, cierre la válvula de alivio de aire.
5. Haga funcionar el sistema hasta que las aguas residuales fluyan limpias.
 - Asegúrese de cumplir todos y cada uno de los códigos locales aplicables en relación con la descarga/el drenaje correctos del agua de la piscina/ del spa.
6. Apague las bombas del sistema.
7. Regrese la manija de la válvula a la posición de operación normal. Consulte la Figura 7.
8. Encienda las bombas del sistema y verifique que el flujo de agua sea normal.

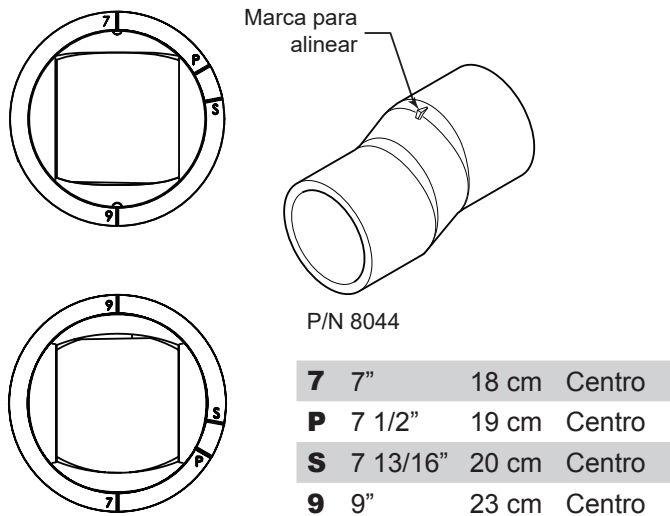
PRECAUCIÓN

No permita que acceda adhesivo al cuerpo de la válvula de corredera. El adhesivo dentro del cuerpo de la válvula evitará que el pistón se mueva libremente o provocará que la válvula tenga fugas.

Sección 5. Instalación de válvula SVLV2 con filtros de otros fabricantes

a. Manguito Versa p/n 8044

Los conectores Versa Plumb® se pueden utilizar en filtros con una distancia entre puertos de 18 a 23 cm, medida a partir del centro de sus circunferencias. Las entradas del manguito para los puertos de la válvula tienen cuatro marcas para alinearlas. Al usar esas marcas, se pueden conseguir las siguientes distancias entre puertos con el manguito Versa:



1. Mida la distancia entre los puertos de entrada y salida del filtro.
2. Con los conectores Versa Plumb, ajuste las marcas de alineación a la posición adecuada según las medidas que se proporcionan en la tabla.
3. Alinee cada manguito Versa con el filtro y la válvula deslizante antes de aplicar adhesivo. Cuando las partes estén alineadas, marque cada pieza para poder recolocarlas todo más fácilmente.

b. Instalación

⚠ ADVERTENCIA

Asegúrese de que toda energía eléctrica al sistema esté apagada antes de inspeccionar, llevar a cabo la resolución de problemas o aproximarse a cualquier válvula con fugas que podrían haber humedecido otros dispositivos eléctricos en el área circundante.

En la siguiente sección encontrará instrucciones para instalar la válvula deslizante Jandy SVLV2 en filtros de otros fabricantes. Para esto es preciso al menos un manguito Versa p/n 8044.

Las instrucciones deben seguirse con exactitud. Lea las instrucciones en su totalidad antes de comenzar el procedimiento. Guarde estas instrucciones.

La válvula de corredera es una válvula de dos posiciones. La manija de la válvula debe estar completamente extendida o completamente presionada. **Esta válvula no puede regularse**

1. Extraiga la válvula de corredera del embalaje. Gire la manija de la válvula de corredera varias veces para verificar que el pistón se mueva libremente. Si alguno de los componentes presenta señales de daño, llame a Zodiac al 1-800-822-7933.
2. Apague toda energía al sistema.
 - Para las **nuevas** instalaciones, pueden omitirse los pasos "3" a "6". Continúe con el paso 7.
3. Abra la válvula de alivio de presión de la parte superior del filtro. Espere que todo el aire evacue el sistema.
4. Si el filtro se instala por debajo del nivel de la piscina, cierre las válvulas de las líneas de succión y de retorno para aislar el sistema de filtrado o asegúrese de que haya instaladas válvulas de retención de aislamiento correctas.
5. Drene el agua del filtro. Siga las instrucciones de drenaje del fabricante del filtro y asegúrese de que las aguas residuales se eliminen correctamente.
6. Extraiga la válvula existente del filtro.
7. Siga las instrucciones del fabricante del filtro para determinar dónde colocar el filtro en la plataforma para el equipo.
8. Deslice un (1) manguito Versa en el PUERTO C y uno (1) en el PUERTO D de la válvula deslizante. Consulte la Figura 8.
9. Acerque la válvula deslizante al filtro y gire los manguitos Versa hasta que encajen en los puertos de entrada y salida del filtro.

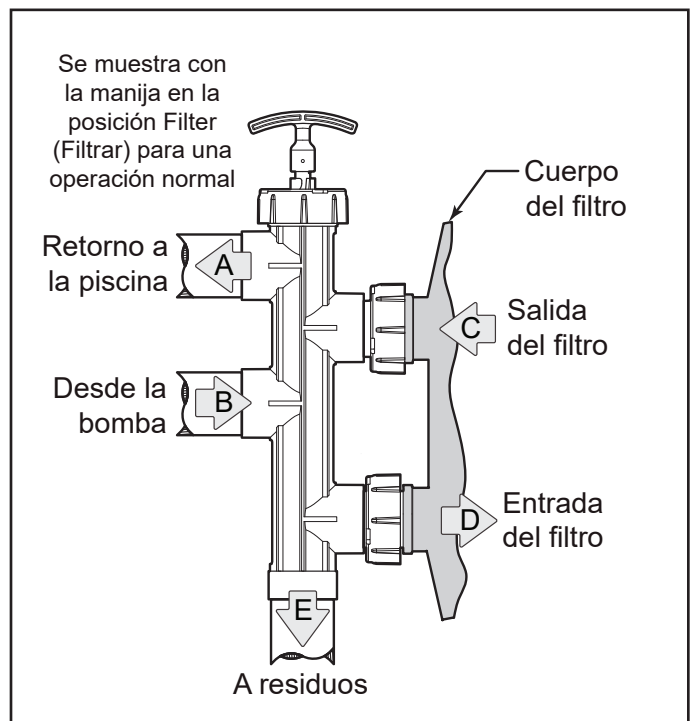


Figura 8. SVLV2 con Manguitos Versa instalados

10. Extraiga la válvula del filtro. Limpie los manguitos Versa y péguelos con adhesivo a la válvula usando las marcas para alinear como referencia.
11. Limpie el manguito Versa y péguelo con adhesivo al filtro, o instale piezas terminales de 5 cm y tuercas de unión.
 - La válvula de corredera tiene etiquetas moldeadas en cada puerto.
 - NO USE sellador líquido para roscas en ninguna conexión roscada de plástico.
 - Si utiliza adhesivo, sujete el manguito durante al menos un (1) minuto.
12. Conecte con tubo la descarga de la bomba en la entrada de la válvula de corredera etiquetada **PORT B (PUERTO B)**.
13. Conecte con tubo la salida de la válvula de corredera etiquetada **PORT A (PUERTO E)** a las líneas de retorno del calentador o de la piscina.
14. Conecte con tubo la salida de la válvula de corredera etiquetada **PORT E (PUERTO A)** a la línea de desperdicio, según sea necesario.
15. Permita que las conexiones se sequen durante 24 horas.
16. Cuando el adhesivo esté seco, inicie el sistema y verifique que el flujo de agua sea correcto.
17. Después de verificar el flujo de agua correcto y antes de poner el sistema en condiciones operativas normales, enjuague el sistema con el modo de retrolavado hasta que las aguas residuales estén limpias. Consulte la Sección c para obtener instrucciones de operación en modo de retrolavado.

PRECAUCIÓN

No permita que acceda adhesivo al cuerpo de la válvula de corredera. El adhesivo dentro del cuerpo de la válvula evitará que el pistón se mueva libremente o provocará que la válvula tenga fugas.

c. Operación normal

⚠ ADVERTENCIA



NUNCA intente armar, desarmar ni ajustar el filtro cuando hay aire presurizado en el sistema. La puesta en marcha de la bomba cuando hay aire presurizado en el sistema puede provocar que la tapa del filtro salga expulsada, lo que puede provocar la muerte, lesiones personales graves o daños materiales.

4. Abra la válvula de alivio de aire de la parte superior del tanque del filtro para liberar toda la presión de dentro del tanque y del sistema. Espere que todo el aire se evacue del sistema y, a continuación, cierre la válvula de alivio de aire.
5. Verifique que el flujo de agua del sistema sea normal.

d. Modo de retrolavado

1. Apague las bombas del sistema.
2. Asegúrese de que la manija de la válvula de corredera esté completamente presionada con la manija y el pistón empujados todo el trayecto hacia abajo.
3. Gire la manija hasta que el pasador de acero inoxidable del pistón se bloquee en el soporte de posición.
4. Encienda las bombas del sistema.
5. Abra la válvula de alivio de aire de la parte superior del tanque del filtro para liberar toda la presión de dentro del tanque y del sistema. Espere que todo el aire se evacue del sistema y, a continuación, cierre la válvula de alivio de aire.
6. Haga funcionar el sistema hasta que las aguas residuales fluyan limpias.
 - Asegúrese de cumplir todos y cada uno de los códigos locales aplicables en relación con la descarga/el drenaje correctos del agua de la piscina/ del spa.
7. Apague las bombas del sistema.
8. Regrese la manija de la válvula a la posición de operación normal. Consulte la Figura 8.
9. Encienda las bombas del sistema y verifique que el flujo de agua sea normal.

1. Apague las bombas del sistema.
2. Asegúrese de que la manija de la válvula de corredera esté completamente extendida (manija tirada todo el trayecto hacia arriba).
3. Encienda las bombas del filtro.

Sección 6. Servicio

⚠ ADVERTENCIA



NUNCA intente armar, desarmar ni ajustar el filtro cuando hay aire presurizado en el sistema. La puesta en marcha de la bomba cuando hay aire presurizado en el sistema puede provocar que la tapa del filtro salga expulsada, lo que puede provocar la muerte, lesiones personales graves o daños materiales.

1. Apague las bombas del sistema.
2. Afloje la tuerca de la unión de la tapa. Consulte la Figura 9.
3. Aferre la manija de la válvula de corredera y tire del conjunto del eje para extraerlo de la válvula. Consulte la Figura 10.
4. Inspeccione el eje y las juntas tóricas para determinar que no haya desgaste, cortes, grietas ni residuos. Si las juntas tóricas presentan señales de desgaste o daño, reemplácelas con el kit de reemplazo de juntas tóricas y pasadores de rodillo Jandy.

NOTA La inspección de la junta tórica incluye la junta tórica de la tapa. Tenga en cuenta que los pasadores de rodillo tienen distintos largos: el pasador de rodillo de la manija es de 1" y el pasador de rodillo del eje es de 13/16".

5. Lave el eje y las juntas tóricas con agua limpia y séquelos con un paño sin pelusas. **Asegúrese de eliminar todos los residuos.**
6. Lave la superficie de la tapa de la válvula (donde se asienta la junta tórica de la tapa) y séquela con un paño sin pelusas. **Asegúrese de eliminar todos los residuos.**

7. Lubrique las juntas tóricas con un lubricante de grasa de silicona al 100 %, como Magic Lube® II. *No use ningún lubricante que contenga productos de petróleo.*
8. Coloque el eje de regreso en la válvula de corredera y apriete la tuerca de unión de la tapa.
9. Regrese la manija de la válvula a la posición de operación normal. Consulte la sección adecuada según el n.º de pieza y el filtro de su válvula en particular (consulte la página 2 de este manual).
10. Encienda las bombas del sistema y verifique que el flujo de agua sea normal.

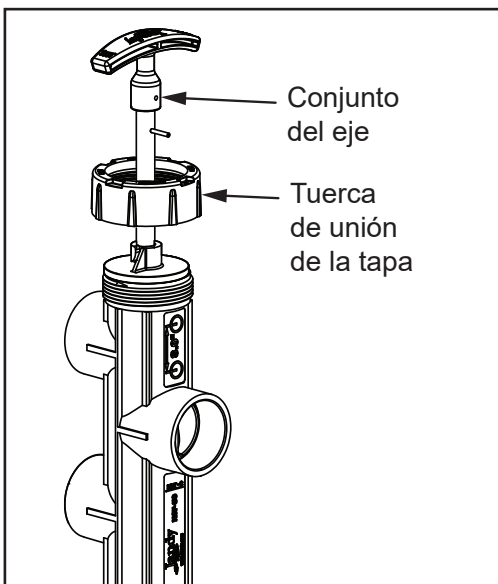


Figura 9. Afloje la tapa

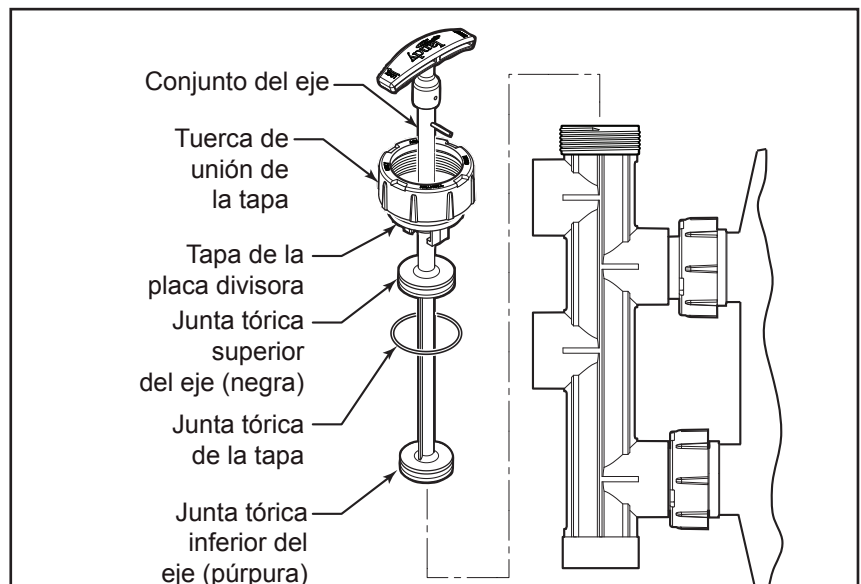


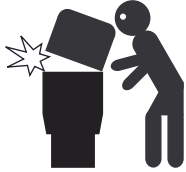
Figura 10. Extraiga el conjunto del eje de la válvula de corredera

Sección 7. Preparación para el invierno

PRECAUCIÓN

Si no se prepara correctamente para el invierno, la válvula de corredera se dañará, lo que aumentará el potencial de lesiones.

⚠ ADVERTENCIA



NUNCA intente armar, desarmar ni ajustar el filtro cuando hay aire presurizado en el sistema. La puesta en marcha de la bomba cuando hay aire presurizado en el sistema puede provocar que la tapa del filtro salga expulsada, lo que puede provocar la muerte, lesiones personales graves o daños materiales.

1. Apague las bombas del sistema.
2. Abra la válvula de alivio de aire de la parte superior del tanque del filtro para liberar toda la presión de dentro del tanque y del sistema. Espere que todo el aire se evacue del sistema y, a continuación, cierre la válvula de alivio de aire.
3. Afloje la tuerca de la unión de la tapa. Consulte la Figura 9.
4. Aferre la manija de la válvula de corredera y tire del conjunto del eje para extraerlo de la válvula. Consulte la Figura 10.
5. Permita que toda el agua drene fuera de la válvula.
6. Cuando esté confirmado que ya no hay agua en la válvula, coloque el eje de regreso en la válvula de corredera y apriete la tuerca de unión de la tapa.
7. Posicione la válvula de corredera en modo de retrolavado.

Sección 8. Desempeño

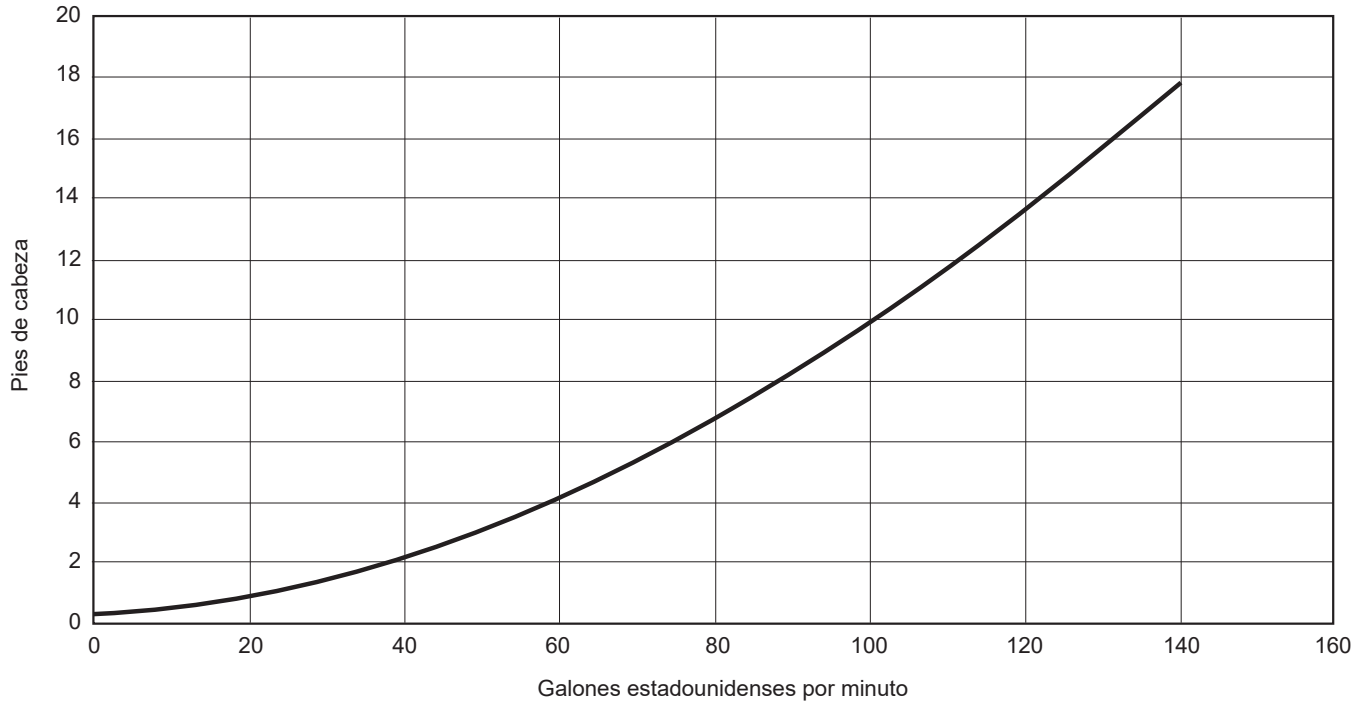
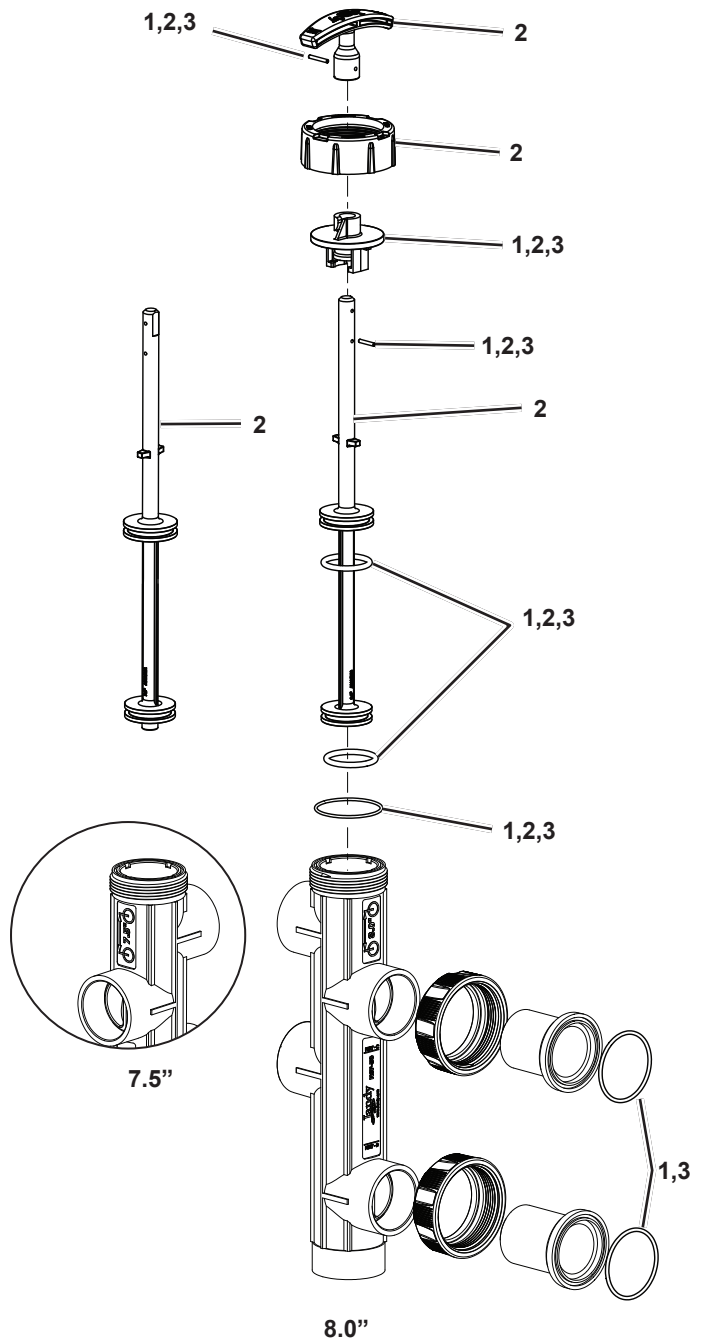


Figura 6. Curva de pérdida de presión de la válvula de corredera (se muestran los datos para la válvula de corredera con un filtro SFSM)

Sección 9. Vista ampliada de la válvula de corredera y lista de repuestos

N.º de clave	Descripción	Cant.	N.º de pieza para pedidos
1	Kit de reconstrucción (juntas tóricas, pasadores de rodillo y placa divisora/tapa) (BWVL-SLD)		R0473000
	Junta tórica, tapa	1	
	Junta tórica, eje, superior, negra	1	
	Junta tórica, eje, inferior, púrpura	1	
	Junta tórica, apéndice de unión	2	
	Pasador de rodillo, manija (1")	1	
	Pasador de rodillo, eje (13/16")	1	
	Placa divisora/tapa	1	
2	Kit de reemplazo del eje		R0442200
	Eje, 8.0 espaciado	1	
	Eje, 7.5 espaciado	1	
	Manija	1	
	Pasador de rodillo, manija (1")	1	
	Pasador de rodillo, eje (13/16")	1	
	Placa divisora/tapa	1	
	Tuerca de unión de la tapa	1	
	Junta tórica, tapa	1	
	Junta tórica, eje, superior, negra	1	
	Junta tórica, eje, inferior, púrpura	1	
3	Kit de reemplazo del juntas tóricas y pasadores de rodillo (SVLV8)		R0442100
	Pasador de rodillo, manija (1")	1	
	Pasador de rodillo, eje (13/16")	1	
	Placa divisora	1	
	Junta tórica, eje, superior, negra	1	
	Junta tórica, eje, inferior, púrpura	1	
	Junta tórica, apéndice de unión	3	



Zodiac Pool Systems LLC

2882 Whiptail Loop # 100, Carlsbad, CA 92010

USA | Jandy.com | 1.800.822.7933

Zodiac Pool Systems Canada, Inc.

2-3365 Mainway

Burlington, ON L7M 1A6 Canada

1.888.647.4004 | www.ZodiacPoolSystems.ca



Certificado según la
norma 50 de NSF/ANSI

©2021 Zodiac Pool Systems LLC. Todos los derechos reservados. ZODIAC® es una marca registrada de Zodiac International, S.A.S.U., utilizada bajo licencia. Todas las demás marcas registradas son propiedad de sus respectivos propietarios.

H0617700_REVD