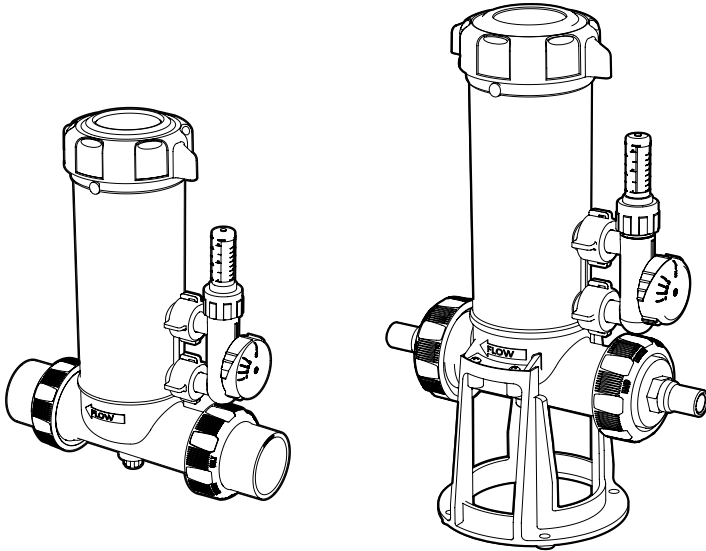




Installation and Operation Manual

ENGLISH | FRANÇAIS | ESPAÑOL



TruChlor™ Erosion Feeder

In-Line, In-Line Variable Speed, Off-Line

WARNING

If these instructions are not followed exactly, a fire or explosion may result, causing property damage, personal injury, or death.

FOR YOUR SAFETY: This product must be installed and serviced by a contractor who is licensed and qualified in pool equipment by the jurisdiction in which the product will be installed where such state or local requirements exist. In the event no such state or local requirement exists, the installer or maintainer must be a professional with sufficient experience in pool equipment installation and maintenance so that all of the instructions in this manual can be followed exactly. Before installing this product, read and follow all warning notices and instructions that accompany this product. Failure to follow warning notices and instructions may result in property damage, personal injury, or death. Improper installation and/or operation may void the warranty.

Table of Contents

Section 1. Important Safety Instructions.....	3
Section 2. Product Information	4
In-Line / In-Line VS Version	4
Off-Line Version.....	5
Section 3. In-Line Installation.....	6
Section 4. Off-Line Installation.....	7
Connecting the Chlorinator.....	8
Connecting Dosing Tube To Pipe-work	9
Section 5. Operation.....	11
Section 6. Winterizing	13

Section 1. Important Safety Instructions

READ AND FOLLOW ALL INSTRUCTIONS

DANGER

RISK OF FIRE OR EXPLOSION.

Only use slow dissolving Trichlor tablets in this chemical dosing unit and NEVER mix different chemical products together. Failure to observe the above warning could result in an explosion and fire.

NEVER use oils or grease to lubricate o-ring. Oil in contact with Trichlor may result in FIRE. Lubricate o-ring with approved silicone o-ring lubricant only. If you are not the original owner of this feeder, or not sure which chemical was used, be SAFE and flush thoroughly with fresh water. CAUTION SHOULD BE USED WHEN REMOVING CAP. DO NOT INHALE FUMES. IF YOUR POOL OR SPA HAS COPPER PLUMBING DO NOT INSTALL. This will damage the feeder. NOTE: If heaters are used, a Fireman's Switch or equivalent must be installed to prevent possible damage and improper operation of check valve and other equipment subject to heat damage.

CALCIUM HYPOCHLORITE IS NOT TO BE USED IN ANY FORM.

Never open the dosing unit lid when the unit is running. Before doing so, turn off the pool circulation pump and close all valves. Ensure you take the following precautions: Do not smoke in the vicinity of the unit, wear adequate eye and hand protection and avoid inhaling any gas that may be released. Apart from occasions when the unit needs to be re-filled or maintained, always ensure that the return line back to the pool is open to avoid the accumulation of any gases.

SAVE THESE INSTRUCTIONS

Section 2. Product Information

Before you begin installation, verify you have all necessary parts (See Tables 1 or 2 below, depending on model).

IN-LINE MODELS

	KIT PART NO.	COMPONENT DESCRIPTION	QTY
1	R0966800	Cover	1
2	R0966900	O-ring (Cover)	1
3,4	R0966500	Grate and Check Valve Assembly	1
5	R0966600	Replaceable Valve and Flow Indicator	1
6	R0449000	Universal Union Assembly (Includes 2 Unions)	1
7	R0967600	Drain Plug Kit	1
8,9	R0967000	Variable Speed Insert Kit* - 3pcs (VS version only)	1

Table 1. In-Line Model Components

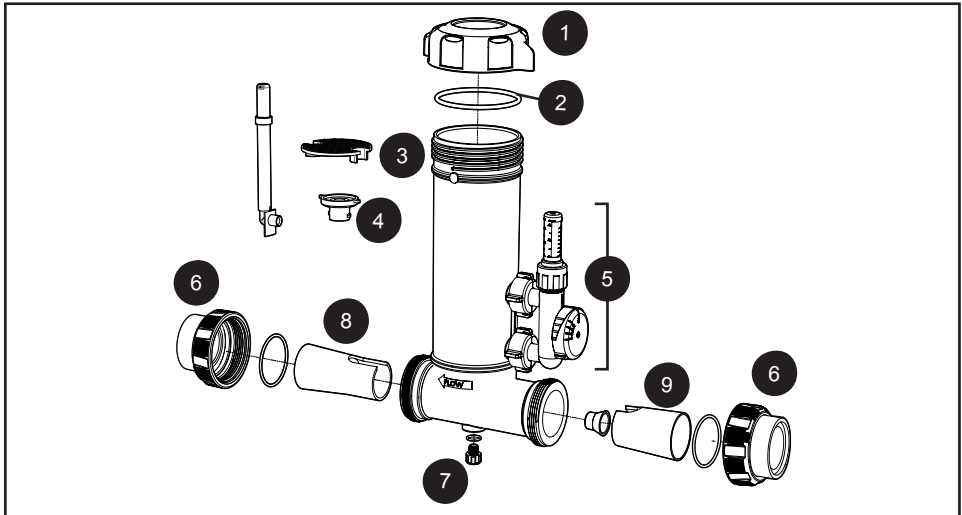


Figure 1. In-Line Components

*The TruChlor In-line VS feeder comes with the Low Flow Inlet, Cone and Outlet pre-installed. These are for systems with 2-speed or variable speed pumps where system flow is below 50 gpm at the low speed. If the system uses only a single speed pump, or the low speed is over 50 gpm, remove the inserts. Installations with Variable Speed pumps must be done using the Variable Speed Insert Kit. Minimum operating flow is 20 gpm.

OFF-LINE MODELS

	KIT PART NO.	COMPONENT DESCRIPTION	QTY
1	R0966800	Cover	1
2	R0966900	O-ring (Cover)	1
3	R0967100	Base Assembly	1
4,5	R0966500	Grate and Check Valve Assembly	1
6	R0966600	Replaceable Valve and Flow Indicator	1
7a	R0967200	Off-Line Hose Clamp Assy for Flexible Hose	2
7b	R0966700	Off-Line Hose Clamp Assy for Hard Pipe	2
8	R0967600	Drain Plug Kit	1
9	R0967300	Tubing Adapter and Union Nut Assembly	2
10	R0976100	Off-line Tubing	1

Table 2. Off-Line Model Components

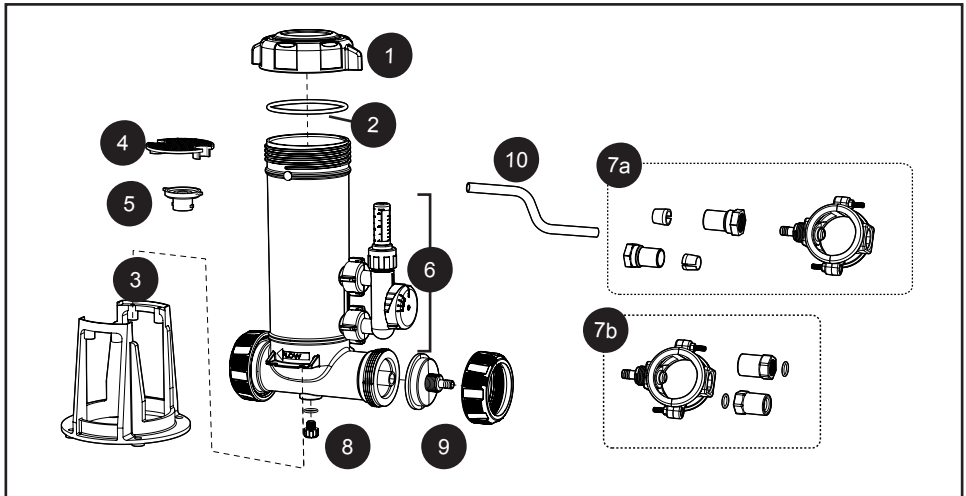


Figure 2. Off-Line Components

Section 3. In-line Installation

! CAUTION

DO NOT INSTALL chlorine feeder before the heating system. Damage to the heating system may occur.

! WARNING

In order to prevent risk of serious property damage, injury or death:
Wear eye and skin protection while maintaining or servicing this unit.
Do not inhale fumes from the chlorinator or chemical container.
Chlorine feeder may be under pressure. Use caution removing cover.

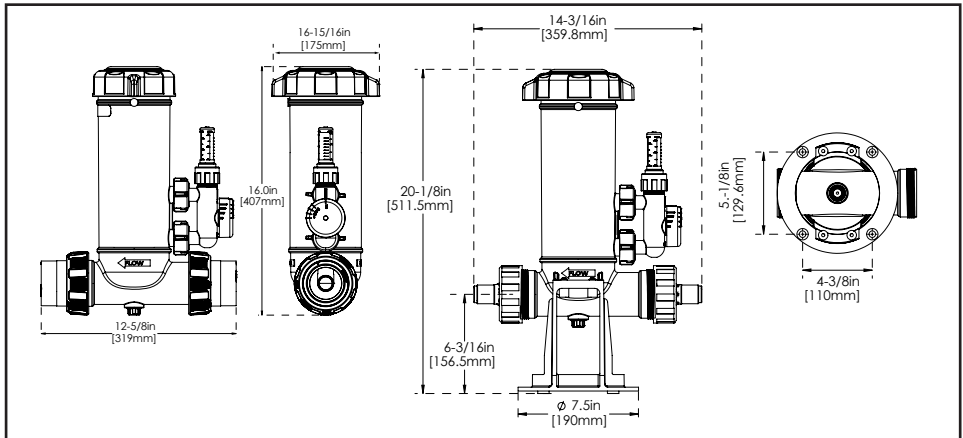


Figure 3. Feeder Dimensions

1. Install unit downstream of the filter and heater (if present).

IMPORTANT: Heaters and other equipment may be damaged by highly chlorinated water. A check valve should be installed before the erosion feeder to avoid damage to heater.

NOTE: For a pool/spa combo with 2” PVC plumbing and equipment, install the feeder on the pool return line after the diverter valve that diverts water to the spa. Then install a minimum section of 6” x 1.5” PVC pipe from the diverter valve into the inlet side of the feeder using 1.5” unions. Continue with 2” PVC pipe on the outlet side of the feeder. This will compensate for the water being diverted to the spa.

2. Glue Jandy Universal Unions into 2” or 2 1/2” PVC pipe.
3. When plumbing 90 degree elbows directly into the feeder inlet it may cause turbulence inside the elbow which prevents water from entering the feeder. A minimum of 6” PVC pipe should be installed between the elbow and the inlet of the feeder.
4. Ensure valve nuts are hand tight.
5. The arrows on feeder body should point in the direction of the water flow returning to the pool.
6. Use only PVC cement. Follow the directions on the cement label. Allow time for the PVC cement to completely dry.

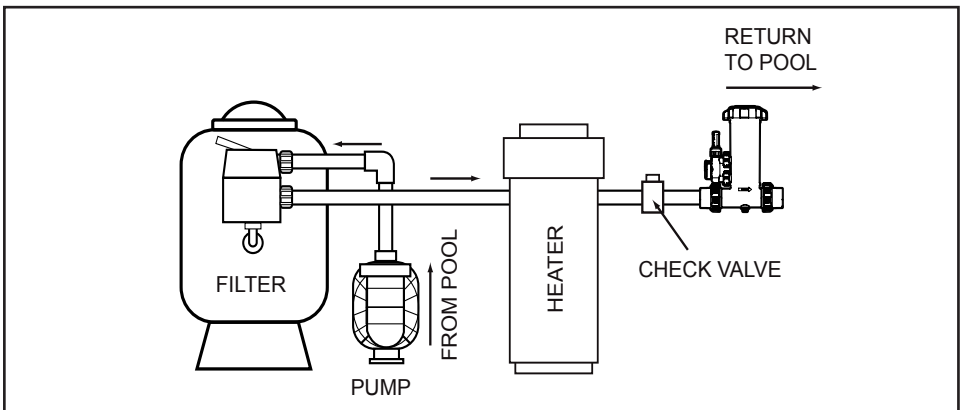


Figure 4. In-Line Installation Configuration

Section 4. Off-line Installation

1. Position the dosing unit on a level surface as close to the filter and pump as possible. Do not install in copper plumbing.
2. The base has holes at bottom for mounting to the pad floor (mounting hardware not included).
3. Turn off the pump and timer switches.
4. The inlet connection must be made in the pipe-work after the pump and filter. This connection will feed water into the dosing unit.

5. The outlet connection must be made downstream of the heating system or, if no heating system is installed, downstream of the filter. This connection will be feeding treated water from the dosing unit into the plumbing system.

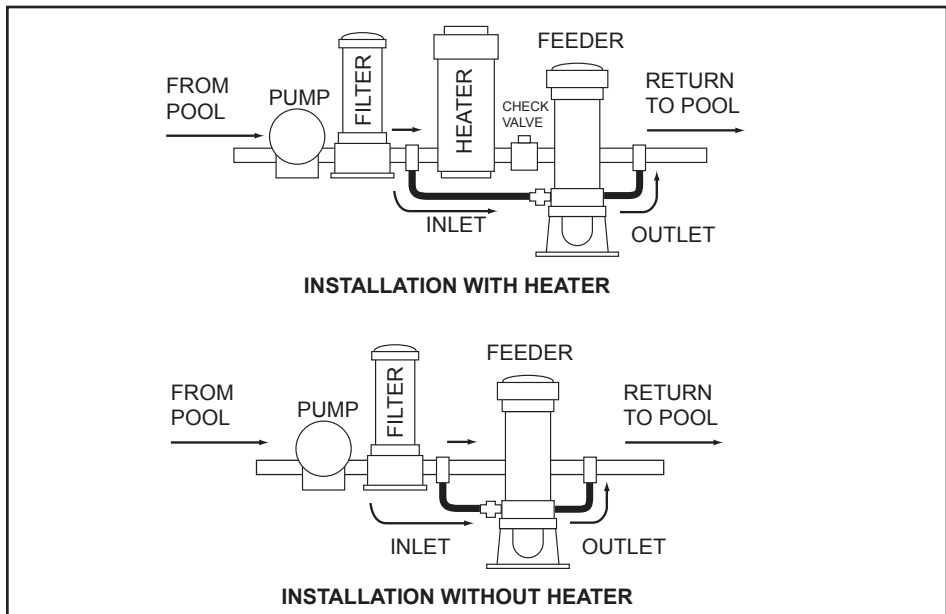


Figure 5. Off-line Installation Configuration

- 6. Flex pipe installation** Use four compression nuts, four compression insert cones, and black flex tube, included with unit.
- Cut the dosing tube to the required lengths, ensuring the cuts are clean, square and free of burrs.
 - Attach the inlet and outlet line to the feeder by installing the compression nut and cone over tubing. Push tubing onto the tapered end of the inlet. Tighten the nut firmly by hand (Figure 6).
 - Drill 3/4" hole in plumbing and remove any burrs.
 - Insert one plumbing nipple into the plumbing clamp for the inlet line. Install the clamp assembly for the inlet (line going TO feeder) and outlet (line FROM feeder) by installing the clamp assembly (Figure 7).

NOTE: Be sure the outlet connection is after the heater, filter, etc.

- Install the remaining compression nuts and cones over the free ends of the tubing then push tubing onto tapered ends of the pipe nipples. Tighten the nuts firmly by hand.
- 7. Hard pipe installation** Use four 1/2" socket nuts and four o-rings (included), and 1/2" Sch 40 pipe (not included).

- Thread on one $\frac{1}{2}$ " socket nut to the feeder inlet barb and another to the outlet barb of the feeder. Be sure an o-ring is seated in the groove inside each socket nut.
- Insert plumbing nipples into the plumbing clamps and secure with the remaining $\frac{1}{2}$ " socket nuts. Be sure an o-ring is seated in the groove inside each socket nut.
- Drill $\frac{3}{4}$ " hole in plumbing and remove any burrs.
- Install clamp assembly over the plumbing where the $\frac{3}{4}$ " hole was drilled (Figure 7).
- Use $\frac{1}{2}$ " Sch 40 PVC pipe and fittings to connect the $\frac{1}{2}$ " socket nuts at the plumbing to the $\frac{1}{2}$ " socket nuts at the inlet and outlet.

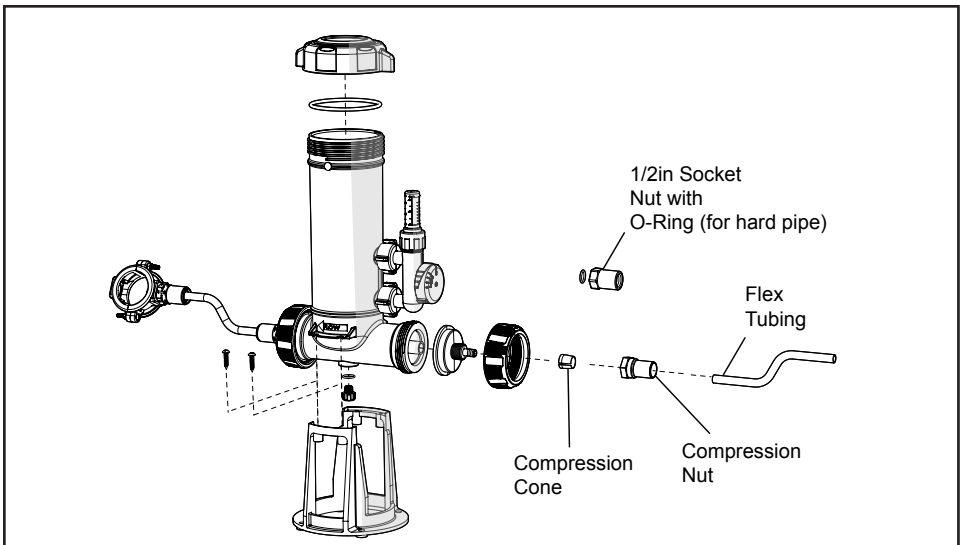


Figure 6. Connecting Hardware to Feeder

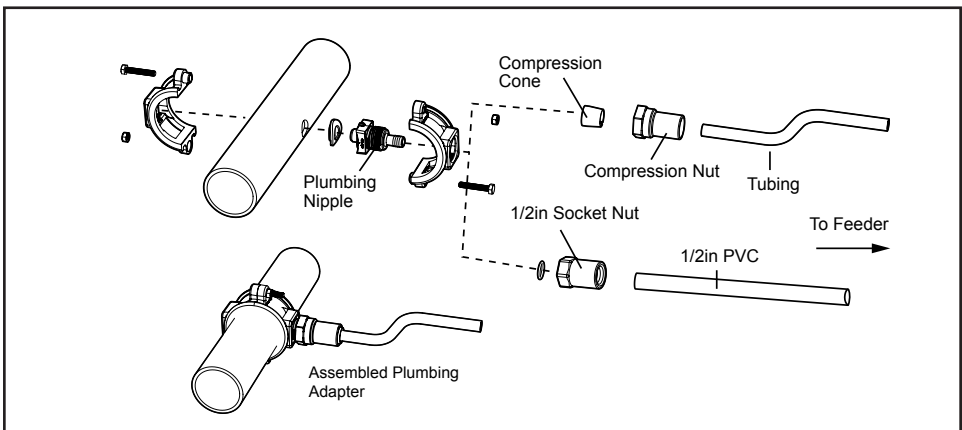


Figure 7. Connecting Hardware To Pipe

Section 5. Operation

NOTE: The consumption of chlorine in swimming pools varies according to use, temperature, exposure to sunlight, and other factors. Initially you will need to experiment with the control valve to ensure that the unit doses enough chemical to maintain an adequate residual. Start with the valve in the 50% position. Test the residual regularly using instructions below.

WARNING

Elevated Chemical Concentrations and Hazardous Gas - The introduction of potentially hazardous gas or elevated chemical concentrations into the pool or spa during backwash and periods of no flow in the circulation system may cause serious personal injury, or death. To avoid, use the following guidelines:

- Set dosage indicator to zero before stopping water flow through the chlorinator.
- Minimize backwash time.
- Do not shut off pump for extended periods.
- Do not allow bathers into the pool or spa area until full flow through the circulation system has been established.

1. This tablet feeder is designed to help you maintain a chlorine residual. Always start a new feeder installation by ensuring that the chlorine is already at a proper residual level. Consult your local dealer for water conditioning information in your area. The residuals should be 1-3 ppm of free chlorine.
2. Remove cap of feeder and fill with proper size tablets. For pools use 1" or 3" diameter tablets. For spas use 1" tablets.
3. Completely fill body with water, and bleed out entrapped air in all system lines. Replace cap making sure o-ring is clean, lubricated with silicone lubricant and in place.
4. Turn on pump and timer switches for a minimum of 6 to 8 hours. The water level inside chlorinator will be 3 – 5 inches under normal running conditions.
5. Adjust the control valve counter-clockwise for more flow through the erosion feeder and more chlorine. Or adjust clockwise for less chlorine according to the size of the pool/spa. Use a test kit to determine the chemical residual. Check the chemical residual daily for the first five days.

NOTE: Hot weather, high water temperature and increased use will cause the pool/spa to use more chemical. Increase the feed rate a few days in advance when possible. The valve settings may require adjustment depending on the conditions.

NOTE: If the feeder does not provide enough chemical residual when using 3" tablets, switch to 1" tablets for faster erosion and increased residual.

NOTE: When maintaining the chlorinator, always check o-rings for damage, breaks, swelling, etc. Replace if necessary. (see Replacement Parts list)

Replacing Tablets

WARNING

In order to prevent risk of serious property damage, injury or death:

- Wear eye and skin protection while maintaining or servicing this unit.
- Do not inhale fumes from the chlorinator or chemical container.
- Chlorine feeder may be under pressure. Use caution removing cover.

1. Shut off the pump and turn the control valve to the closed position. The check valve will prevent water from entering the feeder.
2. Loosen cap but do not remove. Wait one minute to allow water and fumes to drain from feeder.
3. Leave the control valve closed. Slowly remove the cap by tilting it away from yourself, such that any remaining gas that escapes is directed away from you. Check the position of the internal grate after each refilling. The grate may come out of its resting place when tablets are added to the chlorinator.
4. Fill the feeder with tablets. **NEVER MIX CHLORINE TABLET TYPES. DO NOT USE WITH CALCIUM HYPOCHLORITE OR BROMINE.**
5. Completely fill body with water, and bleed out entrapped air in all system lines.
6. Replace cap making sure o-ring is clean, lubricated with silicone lubricant, and in place. Lubricate o-ring with approved silicone o-ring lubricant only. (Hand tighten only).
7. To maintain knob range of motion and o-ring seal, fully rotate control valve before setting output level. Turn knob clockwise to 0 (closed), then counter-clockwise to 100 (fully open) and then open control valve to desired setting.

NOTE: Keep an eye on the tablet level in the unit, preferably reload **BEFORE** they run out.

WARNING

To avoid risk of property damage, serious injury or death, Calcium Hypochlorite is not to be used in any form.

Section 6. Winterizing

NOTE: If the equipment room or pool pad is subject to freezing conditions, it will be necessary to drain your dosing unit following these instructions.

1. This chlorinator has a drain plug located on the bottom for easy draining of the unit for winter.
2. Remove any remnants of undissolved chemical tablets and rinse out the body with clean water.
3. Follow other normal procedures for your system to winterize.

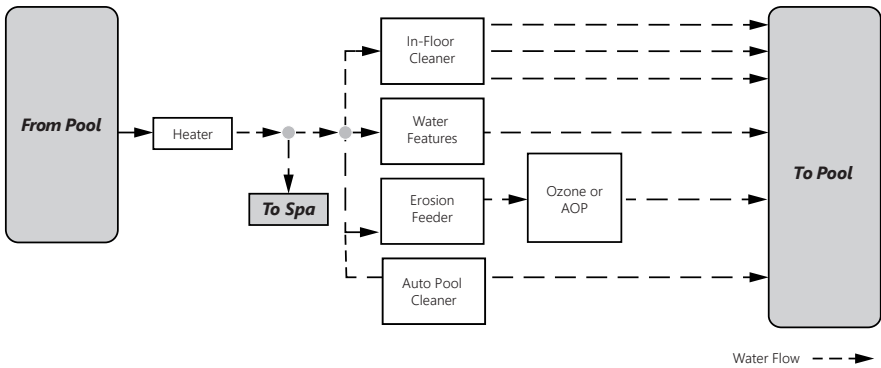
Section 7. Troubleshooting

SYMPTOM	CAUSE	CORRECTIVE ACTION
Glass lid is cloudy	Chlorine exposure	Remove the lid and wipe clean. If it remains cloudy, it will clear itself if left exposed to sunlight and fresh air. DO NOT leave chlorinator open without the lid installed. If the lid must be left off to clear up, a replacement must be installed temporarily
Reduced Flow / Low Chlorine / Flow Indicator Not Moving	Clogged valve assembly	Remove the replaceable valve assembly. It can be detached to clean any build-up or debris.
	Clogged chlorinator body	The bottom grate can be removed when chlorine is gummed up inside the unit. The chlorine residue must be dislodged or it may affect feeder performance. The grate helps keep pieces of the tablets from clogging the outlet.
Leaks around connections	Damaged o-rings	Check o-rings for damage, replace as needed.
Low chlorine concentration in the pool	<ol style="list-style-type: none"> 1. The trichlor tabs have been consumed 2. Filtration time too low 3. Chlorine demand too high 	<ol style="list-style-type: none"> 1. Add trichlor tablets in the unit. 2. Increase filtration daily time. 3. If using 3" tabs, use 1" instead.
Water is green and/or algae is present	A water parameter is not properly maintained (pH, cyanuric acid, etc)	Contact your pool professional for more details and actions

APPENDIX - SYSTEM PLUMBING

The diagrams below cover common plumbing configurations. For other configurations or installation questions, please call Technical Support.

- Erosion Feeder: Always plumb after pool heaters to prevent damage to the heater system. The feeder should be on the main return line, separate from waterfalls or auto cleaners.
- Alternative Sanitizer/ Ozone or AOP Systems. Always plumb feeders before any injectors to prevent gas or bubble build-up inside the erosion feeder.



NOTES

Zodiac Pool Systems LLC

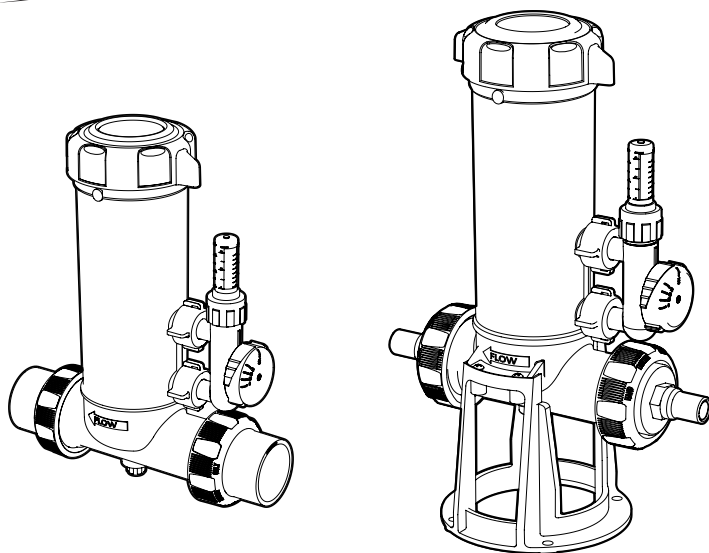
2882 Whiptail Loop # 100, Carlsbad, CA 92010, USA

Jandy.com | 1.800.822.7933

Zodiac Pool Systems Canada, Inc.

2-3365 Mainway, Burlington, ON L7M 1A6 Canada

Jandy.ca | 1.888.647.4004



Système d'alimentation par érosion TruChlor™

En ligne, vitesse variable en ligne, hors ligne

! AVERTISSEMENT

Si ces instructions ne sont pas suivies à la lettre, un incendie ou une explosion peut en résulter, entraînant des dommages matériels, des blessures corporelles ou la mort.

POUR VOTRE SÉCURITÉ : ce produit doit être installé et entretenu par un entrepreneur agréé et qualifié en équipements de piscine par la juridiction dans laquelle le produit sera installé, là où de telles exigences nationales ou locales existent. S'il n'existe pas de telles exigences nationales ou locales, l'agent d'entretien doit être un professionnel disposant d'une expérience suffisante de l'installation et l'entretien des équipements de piscine, afin que toutes les instructions de ce manuel puissent être scrupuleusement suivies. Avant d'installer ce produit, lisez et suivez tous les avertissements et toutes les instructions qui accompagnent ce produit. Le non-respect des avertissements et des instructions peut entraîner des dommages matériels, des blessures corporelles ou la mort. Une installation et/ou un fonctionnement incorrects peuvent annuler la garantie.

Table des matières

Section 1. Consignes de sécurité importantes	3
Section 2. Informations produit	4
Modèles en ligne	4
Modèles hors ligne	5
Section 3. Installation en ligne	6
Section 4. Installation hors ligne	7
Section 5. Fonctionnement.....	10
Remplacement des comprimés	11
Section 6. Hivérisation	12
Section 7. Dépannage	13

Section 1. Consignes de sécurité importantes

LISEZ ET SUIVEZ TOUTES LES INSTRUCTIONS

DANGER

RISQUE D'INCENDIE OU D'EXPLOSION.

Utilisez uniquement des comprimés Trichlor à dissolution lente dans ce dispositif de dosage chimique et ne mélangez JAMAIS différents produits chimiques. Le non-respect de l'avertissement ci-dessus peut entraîner des explosions et incendies.

N'utilisez JAMAIS des huiles ou des graisses pour lubrifier le joint torique. Le contact entre l'huile et le Trichlor peut entraîner un INCENDIE. Lubrifiez le joint torique uniquement avec du lubrifiant pour joint torique autorisé à base de silicone. Si vous n'êtes pas le propriétaire d'origine de ce système d'alimentation, ou si vous n'êtes pas certain du produit chimique utilisé, soyez PRUDENT et rincez abondamment à l'eau douce. SOYEZ PRUDENT LORS DU RETRAIT DU COUVERCLE. NE PAS RESPIRER LES FUMÉES. NE PAS INSTALLER SI VOTRE PISCINE OU SPA CONTIENT DE LA TUYAUTERIE EN CUIVRE. Ceci endommagera le système d'alimentation. NOTA BENE : si des dispositifs de chauffage sont utilisés, un interrupteur pompier ou un système équivalent doit être installé pour éviter d'éventuels dégâts et un fonctionnement incorrect du robinet de contrôle et d'autres équipements sujets aux dégâts thermiques.

N'UTILISER AUCUNE FORME D'HYPOCHLORITE DE CALCIUM.

N'ouvrez jamais le couvercle du dispositif de dosage lorsqu'il fonctionne. Avant l'ouverture, éteignez la pompe de circulation de la piscine et fermez tous les robinets. Veillez ensuite à prendre les précautions suivantes : ne fumez pas à proximité du dispositif, portez des protections oculaires et manuelles adéquates et évitez de respirer les gaz qui pourraient s'échapper. À l'exception des périodes de remplissage ou d'entretien du dispositif, veillez à ce que la conduite de retour vers la piscine soit toujours ouverte pour éviter l'accumulation de gaz.

CONSERVEZ CES INSTRUCTIONS

Section 2. Informations produit

Avant de commencer l'installation, vérifiez que vous avez toutes les pièces nécessaires (voir le Tableau 1 ou 2 ci-dessous, en fonction du modèle).

MODÈLES EN LIGNE

	PIÈCE DE KIT N°	DESCRIPTION DU COMPOSANT	QTÉ.
1	R0966800	Couvercle	1
2	R0966900	Joint torique (couvercle)	1
3,4	R0966500	Grille et assemblage du robinet de contrôle	1
5	R0966600	Vanne remplaçable et indicateur de débit	1
6	R0449000	Ensemble d'écrou de raccordement universel (comprend 2 raccords)	1
7	R0967600	Kit de bouchon de vidange	1
8,9	R0967000	Kit d'insert vitesse variable* - 3 pièces (version VS seulement)	1

Tableau 1. Composants pour modèles en ligne

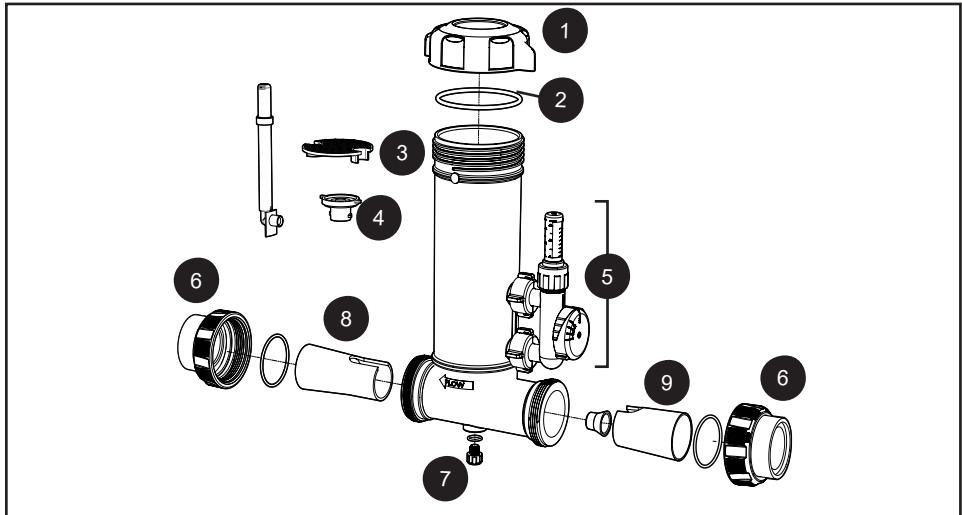


Figure 1. Composants en ligne

*Le système d'alimentation TruChlor VS en ligne est livré avec l'entrée pour faible débit, le cône et la sortie pré-installés. Ces derniers sont destinés aux systèmes dotés de pompes à 2 vitesses ou à vitesse variable dans lesquels le débit du système est en-dessous de 50 gpm à faible vitesse. Si le système utilise seulement une pompe à vitesse unique, ou la faible vitesse est supérieure à 50 gpm, retirez les inserts. Les installations avec des pompes à vitesses variables doivent être faites avec le kit d'insert vitesse variable. Le débit opérationnel minimum est de 20 gpm.

MODÈLES HORS LIGNE

	PIÈCE DE KIT N°	DESCRIPTION DU COMPOSANT	QTÉ.
1	R0966800	Couvercle	1
2	R0966900	Joint torique (couvercle)	1
3	R0967100	Ensemble de base	1
4,5	R0966500	Grille et assemblage du robinet de contrôle	1
6	R0966600	Vanne remplaçable et indicateur de débit	1
7a	R0967200	Ensemble de collier pour tuyau hors ligne pour tuyaux flexibles	2
7b	R0966700	Ensemble de collier pour tuyau hors ligne pour tuyaux rigides	2
8	R0967600	Kit de bouchon de vidange	1
9	R0967300	Adaptateur de tube et ensemble d'écrou de raccordement	2
10	R0976100	Tubes hors ligne	1

Tableau 2. Composants pour modèles hors ligne

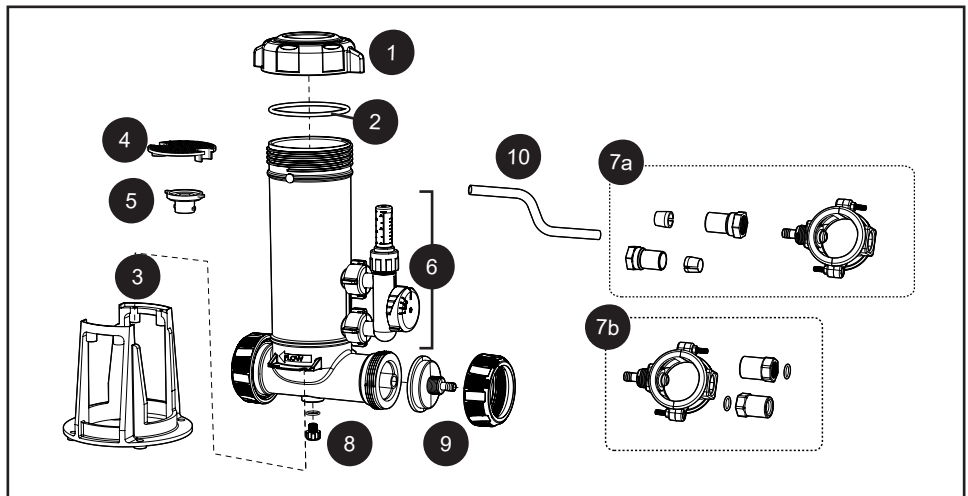


Figure 2. Composants hors ligne

Section 3. Installation en ligne

⚠ MISE EN GARDE

NE PAS INSTALLER le système d'alimentation en chlore avant le système de chauffage. Le système de chauffage pourrait être endommagé.

⚠ AVERTISSEMENT

Afin d'éviter le risque de dégâts matériels sévères, de blessures, ou de décès :
Portez une protection des yeux et de la peau lors de l'entretien ou de la réparation du dispositif.

Ne respirez pas les fumées du chlorateur ou du conteneur chimique.

Le système d'alimentation en chlore peut être sous pression. Soyez prudent lors du retrait du couvercle.

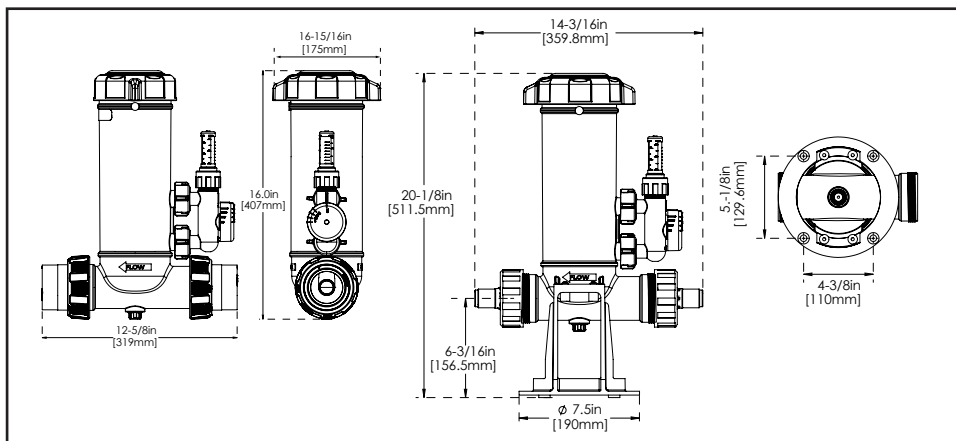


Figure 3. Dimensions du système d'alimentation

1. Installer le dispositif en aval du filtre et du chauffage (s'il y en a un).

IMPORTANT : les chauffages et autres équipements peuvent être endommagés par de l'eau fortement chlorée. Un robinet de contrôle doit être installé en amont du système d'alimentation par érosion afin d'éviter d'endommager le chauffage.

NOTA BENE : pour un ensemble/spa avec de la tuyauterie en PVC 2" et des équipements, installer le système d'alimentation sur la conduite de retour de la piscine qui dévie de l'eau vers le spa. Installer une section de tuyau PVC minimum de 6" x 1,5" de la vanne de dérivation jusqu'au côté entrée du système d'alimentation en utilisant des raccords de 1,5". Continuer avec du tuyau PVC 2" sur le côté sortie du système d'alimentation. Ceci compensera l'eau déviée vers le spa.

2. Coller les raccords universels Jandy aux tuyaux PVC 2" ou 2,5".
3. Si vous connectez des coudes à 90° directement à l'entrée du système d'alimentation, cela peut causer des turbulences dans le coude qui empêcheront l'eau d'entrer dans le système. Une section minimum de 6" de tuyau PVC doit être installée entre le coude et l'entrée du système d'alimentation.
4. S'assurer que les écrous de vanne sont serrés à la main.
5. Les flèches sur le corps du système d'alimentation doivent indiquer la direction du débit d'eau retournant à la piscine.
6. Utiliser uniquement du ciment PVC. Suivre les instructions sur l'étiquette du ciment. Laisser le temps au ciment PVC de sécher complètement.

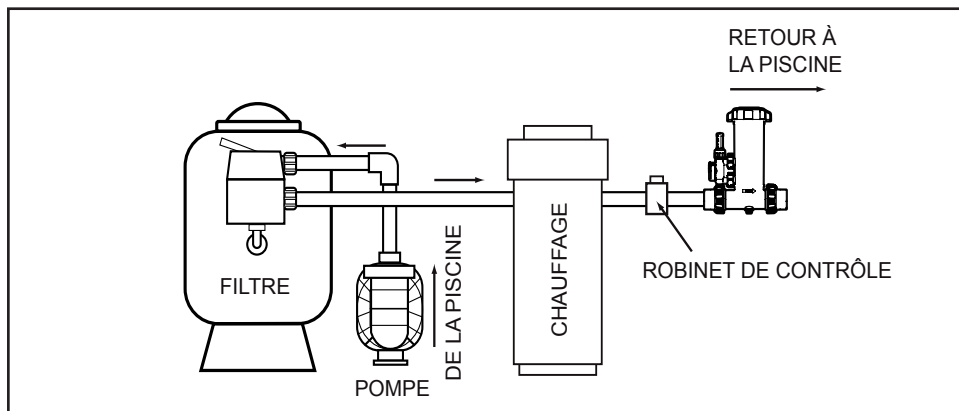


Figure 4. Configuration d'installation en ligne

Section 4. Installation hors ligne

1. Positionner le dispositif de dosage sur une surface plane et le plus proche possible du filtre et de la pompe. Ne pas installer avec de la tuyauterie en cuivre.
2. La base comporte des trous en bas pour l'installation sur le sol du bloc (quincaillerie d'installation non fournie).
3. Éteindre la pompe et les minuteries.
4. La connexion d'entrée doit être reliée à la tuyauterie en aval de la pompe et du filtre. Cette connexion fournira de l'eau à l'unité de dosage.

5. La connexion de sortie doit être faite en aval du système de chauffage ou, s'il n'y a pas de système de chauffage, en aval du filtre. Cette connexion transférera de l'eau traitée du dispositif de dosage vers la tuyauterie.

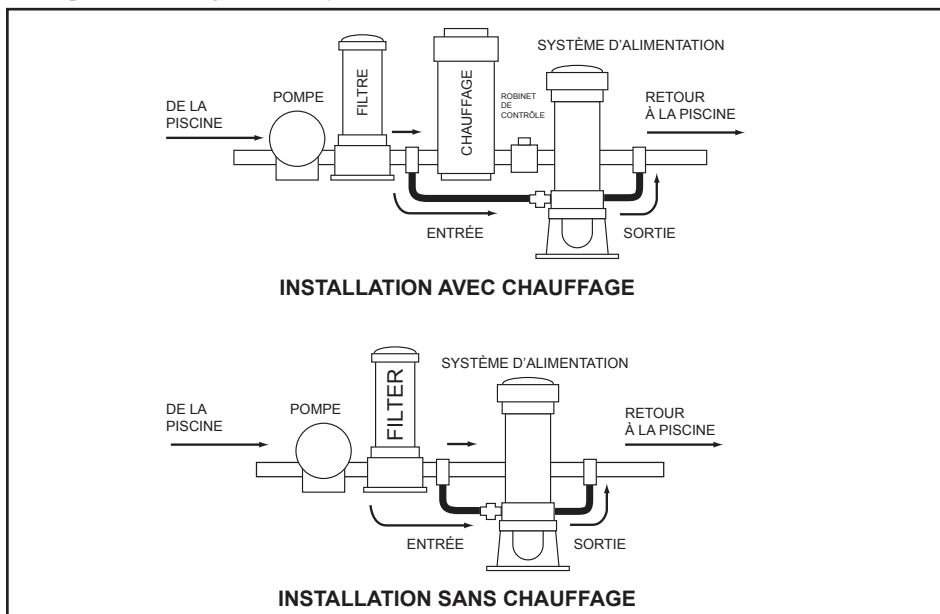


Figure 5. Configuration d'installation hors ligne

6. **Installation avec tuyau flexible** Utiliser quatre écrous de compression, quatre cônes d'insert de compression et le tuyau flexible noir qui sont fournis avec le dispositif.
- Couper le tuyau de dosage aux longueurs requises, en s'assurant que les coupures soient propres, carrées et sans bavures.
 - Attacher la conduite d'entrée et de sortie au système d'alimentation en installant l'écrou de compression et le cône sur le tube. Enfoncer le tube dans le bout conique de l'entrée. Serrer l'écrou fermement à la main (Figure 6).
 - Percer un trou de 3/4" dans la tuyauterie et retirer les éventuelles bavures.
 - Insérer un raccord de tuyauterie dans le collier de tuyauterie pour la conduite d'entrée. Installer l'ensemble de collier pour l'entrée (conduite ALLANT vers le système d'alimentation) et la sortie (conduite PARTANT du système d'alimentation) en installant l'ensemble de collier (Figure 7).

NOTA BENE : veiller à ce que la connexion de sortie soit en aval du chauffage, filtre, etc.

- Monter les écrous de compression et les cônes sur les extrémités libres du tube, puis enfoncer le tube dans les extrémités coniques des raccords de conduite. Serrer les écrous fermement à la main.
7. **Installation avec tuyau rigide** Utiliser quatre écrous de douille 1/2", quatre joints toriques (fournis) et du tuyau 1/2" Sch 40 (non fourni).

- Visser un écrou de douille $\frac{1}{2}$ " sur la pointe d'entrée du système d'alimentation et un autre sur la pointe de sortie. Veiller à ce qu'un joint torique soit inséré dans la rainure de chaque écrou de douille.
- Insérer les raccords de tuyauterie dans les colliers et les fixer avec les autres écrous de douille $\frac{1}{2}$ ". Veiller à ce qu'un joint torique soit inséré dans la rainure de chaque écrou de douille.
- Percer un trou de $\frac{3}{4}$ " dans la tuyauterie et retirer les éventuelles bavures.
- Installer l'ensemble de collier sur la tuyauterie, là où le trou de $\frac{3}{4}$ " a été percé (Figure 7).
- Utiliser du tuyau et des fixations PVC $\frac{1}{2}$ " Sch 40 pour connecter les écrous de douille $\frac{1}{2}$ " sur la tuyauterie aux écrous de douille $\frac{1}{2}$ " à l'entrée et à la sortie.

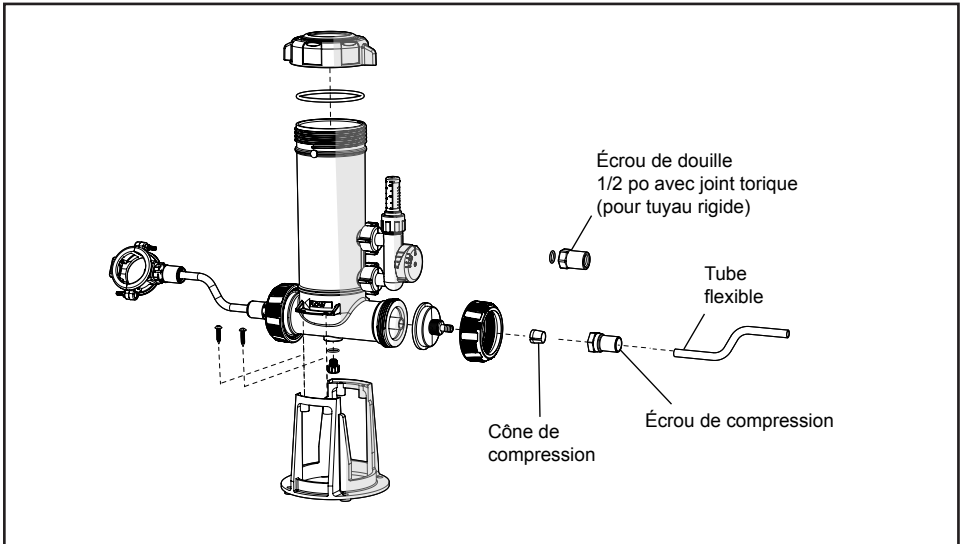


Figure 6. Connexion entre la quincaillerie et le système d'alimentation

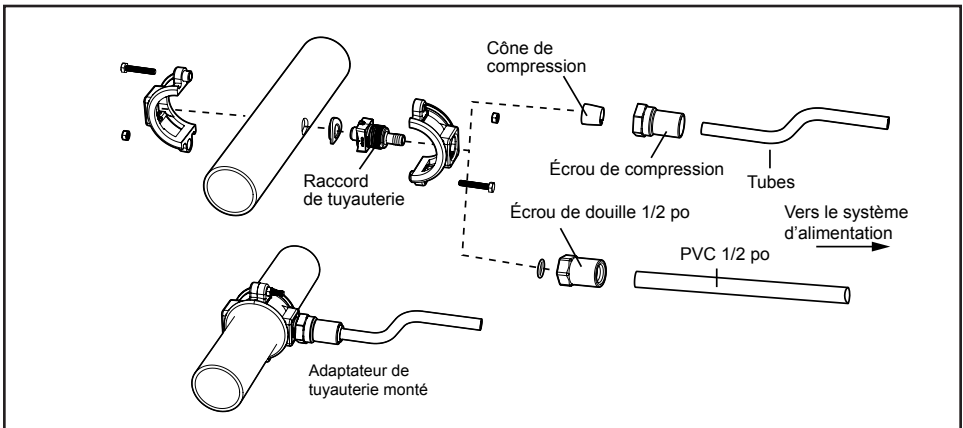


Figure 7. Connexion entre la quincaillerie et les tuyaux

Section 5. Fonctionnement

NOTA BENE : la consommation de chlore dans les piscines varie en fonction de l'utilisation, la température, l'exposition au soleil et d'autres facteurs. Initialement, il vous faudra expérimenter avec la vanne de contrôle pour vous assurer que le dispositif dose suffisamment de produits chimiques pour maintenir une concentration résiduelle adéquate. Commencez avec la vanne sur la position 50 %. Testez la concentration résiduelle régulièrement en suivant les instructions ci-dessous.

AVERTISSEMENT

Concentrations chimiques élevées et gaz nocifs - L'introduction de gaz potentiellement nocifs ou de concentrations chimiques élevées dans la piscine ou le spa durant la réextraction et les périodes sans débit dans le système de circulation peut causer des blessures graves ou la mort.

Pour éviter ceci, suivre les instructions suivantes :

- Réglez l'indicateur de dosage à zéro avant d'arrêter le débit d'eau à travers le chlorateur.
- Minimisez le temps de réextraction.
- N'éteignez pas la pompe pour des périodes prolongées.
- N'autorisez pas les baigneurs autour de la piscine ou du spa jusqu'à ce que le plein débit à travers le système de circulation ait été établi.

1. Ce système d'alimentation à comprimés est conçu pour vous aider à maintenir une concentration résiduelle de chlore. Commencez toujours l'installation d'un nouveau système d'alimentation en vous assurant que le chlore est déjà à un niveau résiduel convenable. Consultez votre concessionnaire local pour des informations sur le conditionnement d'eau local. Les concentrations résiduelles doivent être de 1-3 ppm de chlore libre.
2. Retirez le couvercle du système d'alimentation et remplissez-le de comprimés de la bonne taille. Pour les piscines, utiliser des comprimés de 1" ou 3" de diamètre. Pour les spas, utiliser des comprimés de 1".
3. Remplissez complètement le corps d'eau et purgez l'air emprisonné de toutes les conduites du système. Remplacez le couvercle en veillant à ce que le joint torique soit propre, lubrifié avec du silicone et à la bonne place.
4. Allumez les interrupteurs de la pompe et de minuterie pendant au moins 6 à 8 heures. Le niveau d'eau dans le chlorateur doit être entre 3 et 5 pouces dans des conditions d'utilisation normales.
5. Ajuster le robinet de contrôle dans le sens inverse des aiguilles d'une montre pour plus de débit à travers le système d'alimentation par érosion et plus de chlore. Ou ajuster dans le sens des aiguilles d'une montre pour moins de chlore, en fonction de la taille de la piscine/du spa. Utiliser un kit de test pour déterminer la concentration résiduelle chimique. Vérifier la concentration résiduelle chimique quotidiennement pendant les cinq premiers jours.

NOTA BENE : le temps chaud, des températures élevées de l'eau et une utilisation accrue des baigneurs augmenteront le besoin en produits chimiques de la piscine/du spa. Augmenter le taux d'alimentation quelques jours en avance si possible. Les réglages des vannes exigeront peut-être un ajustement, en fonction des conditions.

NOTA BENE : si le système d'alimentation ne fournit pas assez de concentration résiduelle chimique en utilisant des comprimés de 3", utilisez à la place des comprimés de 1" pour une érosion plus rapide et une concentration résiduelle accrue.

NOTA BENE : lors de l'entretien du chlorateur, toujours vérifier que les joints toriques ne sont pas endommagés, cassés, gonflés, etc. Les remplacer si nécessaire. (Voir la liste des Pièces de Rechange)

Remplacement des comprimés

AVERTISSEMENT

Afin d'éviter le risque de dégâts matériels sévères, de blessures, ou de décès :

- Portez une protection des yeux et de la peau lors de l'entretien ou de la réparation du dispositif.
- Ne respirez pas les fumées du chlorateur ou du conteneur chimique.
- Le système d'alimentation en chlore peut être sous pression. Soyez prudent lors du retrait du couvercle.

1. Arrêtez la pompe et fermez le robinet de contrôle. Le robinet de contrôle empêchera l'eau de pénétrer dans le système d'alimentation.
2. Desserrez le couvercle sans l'enlever. Attendez une minute pour permettre à l'eau et aux vapeurs d'être évacuées du système d'alimentation.
3. Laissez la vanne de contrôle fermée. Retirez le couvercle lentement en l'écartant de vous, de sorte que tout gaz résiduel s'échappant s'éloigne de vous. Vérifiez la position de la grille interne après chaque remplissage. La grille peut être retirée de sa place attirée lorsque des comprimés sont ajoutés au chlorateur.
4. Remplissez le système d'alimentation avec des comprimés. **NE MÉLANGEZ JAMAIS LES TYPES DE COMPRIMÉS DE CHLORE. N'UTILISEZ PAS AVEC DE L'HYPOCHLORITE DE CALCIUM OU DU BROME.**
5. Remplissez complètement le corps d'eau et purgez l'air emprisonné de toutes les conduites du système.
6. Remplacez le couvercle en veillant à ce que le joint torique soit propre, lubrifié avec du silicone et à la bonne place. Lubrifiez le joint torique uniquement avec du lubrifiant pour joint torique autorisé à base de silicone. (Serrer à la main seulement).
7. Pour maintenir l'amplitude de mouvement du bouton et la fermeture du joint torique, tournez complètement le robinet de contrôle avant de régler le niveau de sortie. Tournez le bouton dans le sens des aiguilles d'une montre jusqu'à 0 (fermé), puis dans le sens contraire des aiguilles d'une montre jusqu'à 100 (complètement ouvert), puis ouvrez le robinet de contrôle au réglage souhaité.

NOTA BENE : surveillez le niveau des comprimés dans le dispositif, en le remplissant de préférence **AVANT** qu'il n'y en ait plus.

AVERTISSEMENT

Pour éviter tout risque de dommages matériels, de blessures graves, ou de décès, n'utilisez aucune forme d'hypochlorite de calcium.

Section 6. Hivérisation

NOTA BENE : si la salle d'équipement ou le bloc de piscine est sujet à des conditions de gel, il faudra vidanger votre dispositif de dosage en suivant ces instructions.

1. Ce chlorateur a un bouchon de vidange situé au bas, permettant une vidange facile du dispositif pour l'hiver.
2. Retirez tous les restes de comprimés chimiques non dissouts et rincez le corps à l'eau propre.
3. Suivez les autres procédures normales pour hivériser votre système.

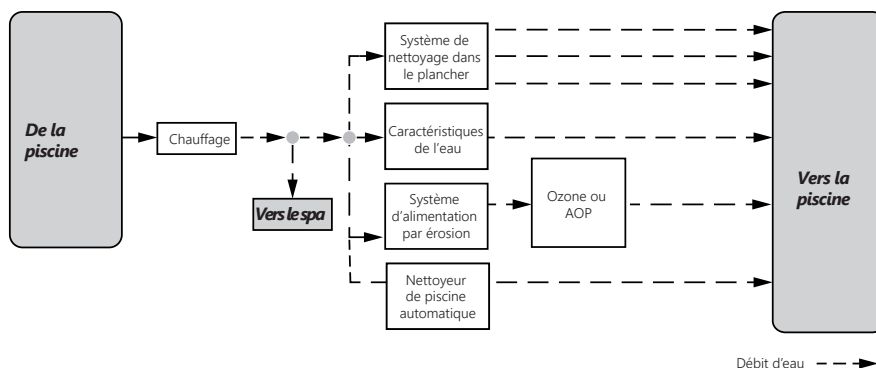
Section 7. Dépannage

SYMPTÔME	CAUSE	REMÉDIATION
Le couvercle en verre est voilé	Exposition au chlore	Retirez le couvercle et nettoyez-le. Si le voile persiste, il se dissipera s'il est laissé exposé au soleil et à l'air frais. NE LAISSEZ PAS le chlorateur ouvert sans le couvercle. Si le couvercle doit être enlevé pour le nettoyage, un remplacement doit être installé temporairement
Débit réduit / Chlore bas / Indicateur de débit ne bouge pas	Ensemble de vanne bouché	Retirer l'ensemble de robinet remplaçable. Il peut être détaché pour nettoyer tout entartrage ou débris.
	Corps de chlorateur bouché	La grille du bas peut être retirée lorsque du chlore encrasse l'intérieur du dispositif. Le résidu de chlore doit être nettoyé, ou cela pourra affecter la performance du système d'alimentation. La grille aide à empêcher les morceaux de comprimés de boucher la sortie.
Fuites autour des connexions	Joints toriques endommagés	Vérifiez que les joints toriques ne sont pas endommagés, remplacez-les si nécessaire.
Basse concentration de chlore dans la piscine	<ol style="list-style-type: none"> 1. Les comprimés Trichlor ont été consommés 2. Le temps de filtration est trop lent 3. La demande en chlore est trop élevée 	<ol style="list-style-type: none"> 1. Ajoutez des comprimés Trichlor dans le dispositif. 2. Augmentez le temps de filtration quotidien. 3. Si vous utilisez des comprimés de 3", utilisez des comprimés de 1" à la place.
L'eau est verte et/ou il y a des algues	Un paramètre d'eau n'est pas correctement entretenu (pH, acide cyanurique, etc.)	Contactez votre professionnel de piscine pour plus d'informations et d'actions

ANNEXE - TUYAUTERIE DU SYSTÈME

Les diagrammes ci-dessous couvrent les configurations de plomberie. Pour d'autres configurations ou questions sur l'installation, veuillez appeler le Soutien technique.

- Système d'alimentation par érosion : toujours installer la tuyauterie en aval du chauffage de la piscine pour éviter d'endommager le système de chauffage. Le système d'alimentation doit être sur la conduite de retour principale, séparé des cascades ou des nettoyeurs automatiques.
- Désinfectant alternatif / Systèmes Ozone ou AOP. Toujours installer les systèmes d'alimentation en amont d'éventuels injecteurs pour empêcher la formation de gaz ou de bulles dans le système d'alimentation par érosion.



NOTES

Zodiac Pool Systems LLC

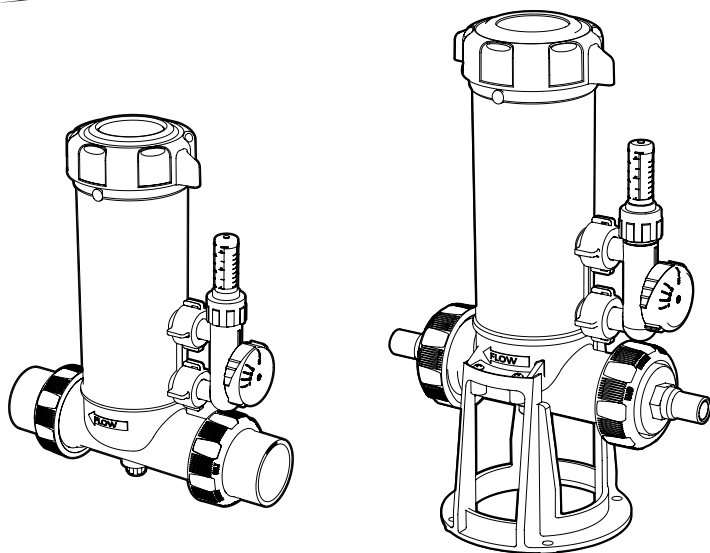
2882 Whiptail Loop 100, Carlsbad, CA 92010, USA

Jandy.com | 1.800.822.7933

Zodiac Pool Systems Canada, Inc.

2-3365 Mainway, Burlington, ON L7M 1A6 Canada

Jandy.ca | 1.888.647.4004



Dosificador por erosión TruChlor™

En línea, velocidad variable en línea, fuera de línea

⚠ ADVERTENCIA

Si no se siguen estas instrucciones al pie de la letra, podría producirse un incendio o una explosión que provocaría daños materiales, lesiones personales o la muerte.

POR SU SEGURIDAD: La instalación y el mantenimiento de este producto deberán ser realizados por un contratista autorizado y calificado en equipos de piscina por la jurisdicción en la cual se instalará el producto en caso de existir tales requisitos a nivel estatal o local. En caso de que no existan tales requisitos estatales o locales, el responsable de la instalación o el mantenimiento debe ser un profesional con suficiente experiencia en la instalación y el mantenimiento de equipos de piscina para que pueda seguir todas las instrucciones de este manual al pie de la letra. Antes de instalar este producto, lea y siga todos los avisos de advertencia y las instrucciones que acompañan a este producto. El incumplimiento de estos avisos de advertencia e instrucciones podría producir daños materiales, lesiones personales o la muerte. La instalación o el funcionamiento inadecuados podrían anular la garantía.

Índice

- Sección 1. Instrucciones de seguridad importantes3**
- Sección 2. Información del producto4**
 - Modelos en línea4
 - Modelos fuera de línea5
- Sección 3. Instalación en línea.....6**
- Sección 4. Instalación fuera de línea.....7**
- Sección 5. Funcionamiento 10**
 - Cambio de pastillas 11
- Sección 6. Acondicionamiento para el invierno 12**
- Sección 7. Resolución de problemas 13**

Sección 1. Instrucciones de seguridad importantes

LEA Y SIGA TODAS LAS INSTRUCCIONES

PELIGRO

RIESGO DE INCENDIO O EXPLOSIÓN.

Solo utilice pastillas de tricloro de disolución lenta en esta unidad de dosificación química y NUNCA mezcle productos químicos diferentes. El incumplimiento de esta advertencia podría ocasionar una explosión y un incendio.

NUNCA utilice aceites o grasa para lubricar la junta tórica. Si el aceite entra en contacto con el tricloro, puede generar un INCENDIO. Lubrique la junta tórica solamente con un lubricante de silicona para junta tórica aprobado. Si usted no es el propietario original de este dosificador o si no está seguro de qué producto químico se utilizó, por su SEGURIDAD enjuague con abundante agua fresca. RETIRE LA TAPA CON PRECAUCIÓN. NO INHALE LOS VAPORES. SI LAS TUBERÍAS DE SU PISCINA O SPA SON DE COBRE, NO PROCEDA CON LA INSTALACIÓN. Esto dañará el dosificador. NOTA: Si se usan calentadores, se debe instalar un interruptor para bomberos o un dispositivo equivalente con el fin de evitar posibles daños y el funcionamiento incorrecto de la válvula de retención y otros equipos sujetos a daños por calor.

NO SE DEBE UTILIZAR HIPOCLORITO DE CALCIO EN NINGUNA FORMA. Nunca abra la tapa de la unidad de dosificación cuando la unidad está en funcionamiento. Antes de hacerlo, apague la bomba de circulación de la piscina y cierre todas las válvulas. Asegúrese de tomar las siguientes precauciones: no fume cerca de la unidad, utilice protección adecuada para ojos y manos, y evite inhalar cualquier gas que podría liberarse. Salvo en las ocasiones en que es necesario volver a llenar la unidad o someterla a mantenimiento, asegúrese siempre de que la línea de retorno hacia la piscina esté abierta con el fin de evitar la acumulación de gases.

GUARDE ESTAS INSTRUCCIONES

Sección 2. Información del producto

Antes de empezar la instalación, verifique que cuenta con todas las piezas necesarias (véase la Tabla 1 o 2 a continuación, dependiendo del modelo).

MODELOS EN LÍNEA

	N.º DE PIEZA DEL KIT	DESCRIPCIÓN DEL COMPONENTE	CANT.
1	R0966800	Cubierta	1
2	R0966900	Junta tórica (tapa)	1
3,4	R0966500	Rejilla y conjunto de válvula de retención	1
5	R0966600	Válvula reemplazable e indicador de flujo	1
6	R0449000	Conjunto de unión universal (incluye 2 uniones)	1
7	R0967600	Kit de tapón de drenaje	1
8,9	R0967000	Kit de accesorios de inserción de velocidad variable* - 3 piezas (solo versión VS)	1

Tabla 1. Componentes del modelo en línea

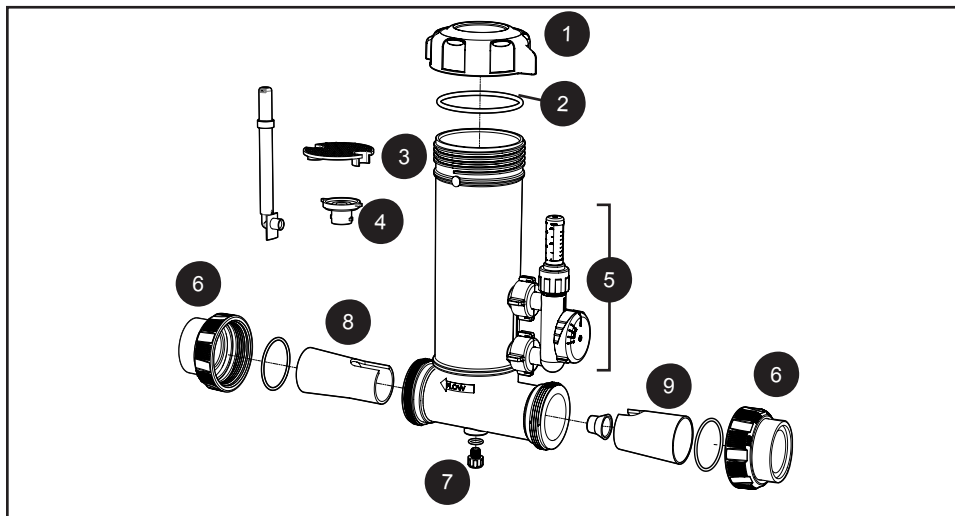


Figura 1. Componentes en línea

* El dosificador en línea VS TruChlor se proporciona con salida, cono y entrada de flujo bajo preinstalados. Son utilizados en sistemas con bombas de dos velocidades o de velocidad variable en las que el flujo del sistema es inferior a 50 gpm a baja velocidad. Retire los accesorios de inserción si el sistema solo utiliza una bomba de velocidad única o si la velocidad baja excede los 50 gpm. Las instalaciones con bombas de velocidad variable se deben realizar utilizando el kit de accesorios de inserción de velocidad variable. El flujo mínimo de funcionamiento es 20 gpm.

MODELOS FUERA DE LÍNEA

	N.º DE PIEZA DEL KIT	DESCRIPCIÓN DEL COMPONENTE	CANT.
1	R0966800	Cubierta	1
2	R0966900	Junta tórica (tapa)	1
3	R0967100	Conjunto de base	1
4,5	R0966500	Rejilla y conjunto de válvula de retención	1
6	R0966600	Válvula reemplazable e indicador de flujo	1
7a	R0967200	Conjunto de abrazadera de manguera fuera de línea para manguera flexible	2
7b	R0966700	Conjunto de abrazadera de manguera fuera de línea para tubería rígida	2
8	R0967600	Kit de tapón de drenaje	1
9	R0967300	Adaptador de tubo y conjunto de tuerca de unión	2
10	R0976100	Tubo fuera de línea	1

Tabla 2. Componentes del modelo fuera de línea

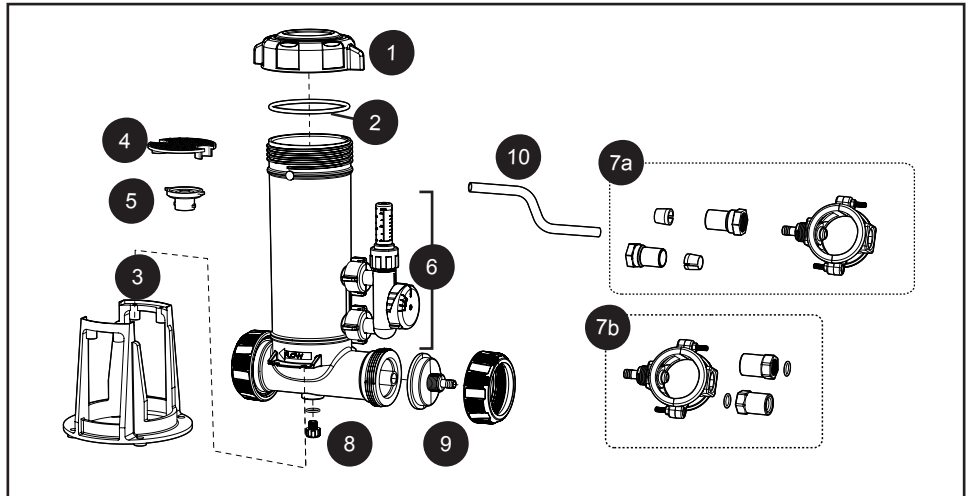


Figura 2. Componentes fuera de línea

Sección 3. Instalación en línea

! PRECAUCIÓN

NO INSTALE el dosificador de cloro antes del sistema de calefacción. Se puede dañar el sistema de calefacción.

! ADVERTENCIA

Para evitar el riesgo de daños materiales graves, lesiones o la muerte: Utilice protección para ojos y piel mientras realiza el mantenimiento o servicio de esta unidad.

No inhale vapores del clorinador o recipiente de productos químicos.

El dosificador de cloro puede estar bajo presión. Retire la tapa con precaución.

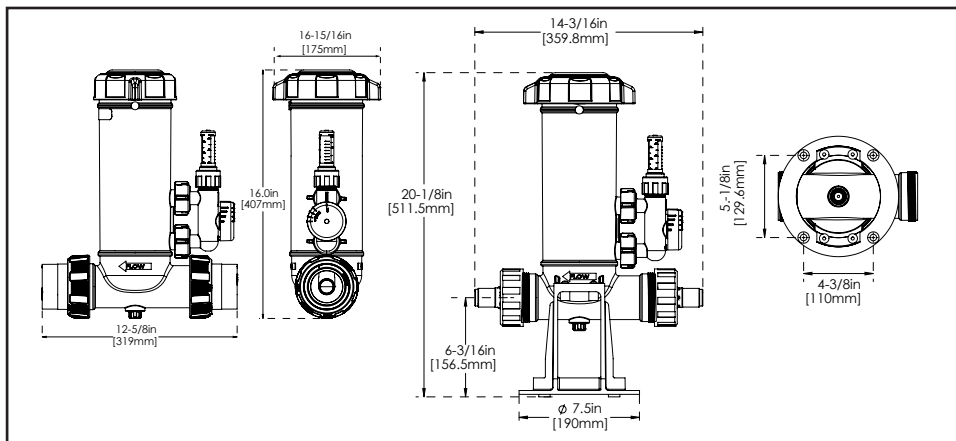


Figura 3. Dimensiones del dosificador

1. Instale la unidad aguas abajo del filtro y el calentador (si estuviera presente).

IMPORTANTE: Los calentadores y otros equipos pueden resultar dañados por el agua con alto contenido de cloro. Se debe instalar una válvula de retención antes del dosificador por erosión para evitar dañar el calentador.

NOTA: Para una combinación piscina/spa con tuberías y equipos de PVC de 2", instale el dosificador en la línea de retorno de la piscina después de la válvula desviadora que desvía agua al spa. Luego, instale una sección mínima de tubería de PVC de 6" x 1.5" que vaya desde la válvula desviadora hacia el lado del conducto de entrada del dosificador utilizando uniones de 1.5". Continúe con un tubo de PVC de 2" en el lado del conducto de salida del dosificador. Esto compensará el agua que se está desviando al spa.

2. Utilice pegamento para acoplar las uniones universales Jandy en el tubo de PVC de 2" o 2 1/2".
3. Al instalar codos de 90 grados directamente en la entrada del dosificador se puede producir turbulencia dentro del codo, lo cual impediría que el agua ingrese al dosificador. Se debe instalar una sección mínima de tubería de PVC de 6" entre el codo y el conducto de entrada del dosificador.
4. Asegúrese de que las tuercas de la válvula estén ajustadas a mano.
5. Las flechas en la estructura del dosificador deben apuntar en dirección al flujo de agua que regresa a la piscina.
6. Utilice solo cemento para PVC. Siga las instrucciones especificadas en la etiqueta del cemento. Deje secar completamente el cemento para PVC.

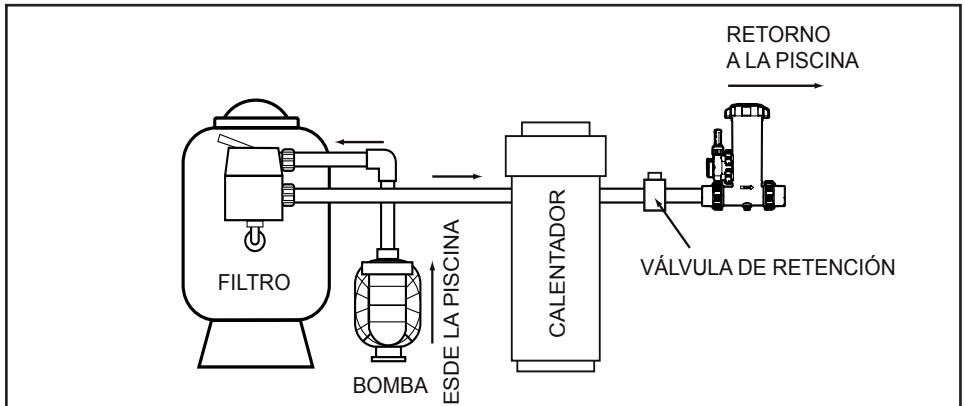


Figura 4. Configuración de instalación en línea

Sección 4. Instalación fuera de línea

1. Coloque la unidad de dosificación sobre una superficie plana lo más cerca posible al filtro y a la bomba. No instale en tuberías de cobre.
2. La base tiene agujeros en el fondo para montaje en el piso de la plataforma (no se incluyen herrajes de montaje).
3. Apague las bombas y los temporizadores.
4. La conexión de la entrada se debe realizar en la tubería después de la bomba y el filtro. Esta conexión introducirá agua en la unidad de dosificación.
5. La conexión de salida se debe realizar aguas abajo del sistema de calefacción o, en caso de que no se haya instalado un sistema de calefacción, aguas abajo del filtro. Esta conexión introducirá agua tratada desde la unidad de dosificación hacia el sistema de tuberías.

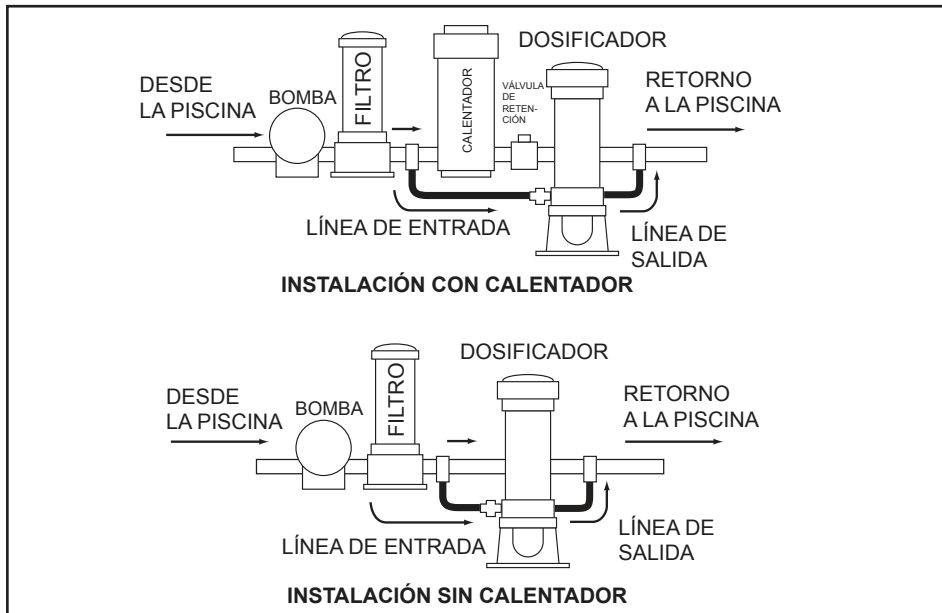


Figura 5. Configuración de instalación fuera de línea

6. **Instalación de tubería flexible.** Utilice cuatro tuercas de compresión, cuatro conos de insertos de compresión y un tubo flexible negro, incluidos con la unidad.
 - a. Corte el tubo de dosificación según las longitudes necesarias, asegurándose de que los cortes sean limpios, cuadrados y sin rebabas.
 - b. Conecte la línea de entrada y salida al dosificador instalando la tuerca de compresión y el cono sobre el tubo. Empuje el tubo hacia el extremo ahusado de la entrada. Ajuste la tuerca manualmente con firmeza (Figura 6).
 - c. Realice una perforación de 3/4" en la tubería y limpie las rebabas.
 - d. Inserte un niple para plomería en la abrazadera de plomería para la línea de entrada. Instale el conjunto de abrazadera para la entrada (línea que va HACIA el dosificador) y salida (línea que viene DESDE el dosificador) (Figura 7).

NOTA: asegúrese de que la conexión de salida esté después del calentador, el filtro, etc.

- e. Instale las demás tuercas de compresión y conos sobre los extremos libres del tubo, luego empuje el tubo hacia los extremos ahusados de los nipples de tubería. Ajuste las tuercas manualmente con firmeza.
7. **Instalación de la tubería rígida.** Utilice cuatro tuercas de encastre de 1/2", cuatro juntas tóricas (incluidas) y una tubería de cédula 40 de 1/2" (no incluida).
 - h. Enrosque una tuerca de encastre de 1/2" en la conexión arponada de la entrada del dosificador y otra en la conexión arponada de la salida del dosificador. Asegúrese de que haya una junta tórica asentada en la muesca dentro de cada tuerca de encastre.
 - i. Inserte nipples para plomería en las abrazaderas de plomería y asegure con las tuercas de encastre restantes de 1/2". Asegúrese de que haya una junta tórica asentada en la muesca dentro de cada

- tuerca de encastre.
- j. Realice una perforación de 3/4" en la tubería y limpie las rebabas.
 - k. Instale el conjunto de abrazadera sobre la tubería en el lugar donde se perforó el agujero de 3/4" (Figura 7).
 - l. Utilice una tubería de PVC de cédula 40 de 1/2" y conectores para conectar las tuercas de encastre de 1/2" en la tubería con las tuercas de encastre de 1/2" en la entrada y la salida.

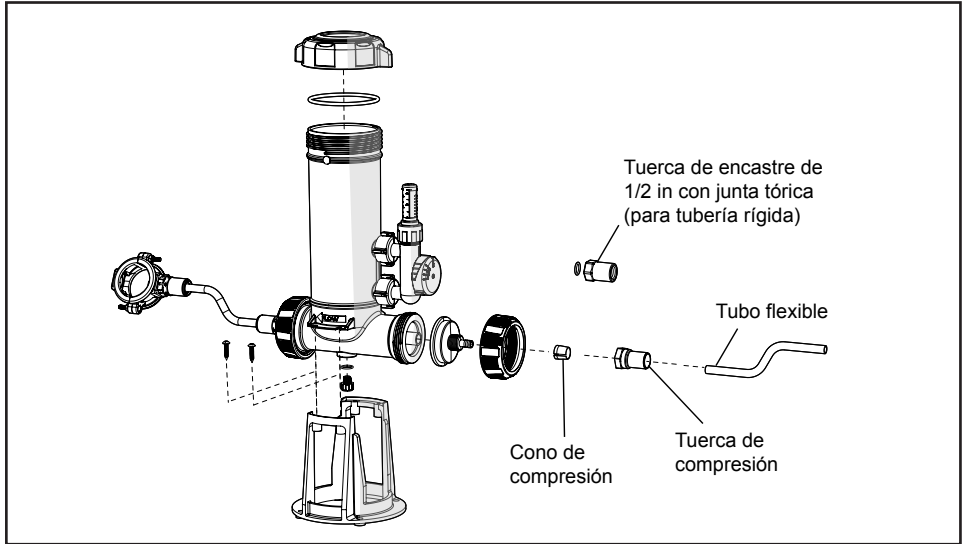


Figura 6. Conexión de herrajes al dosificador

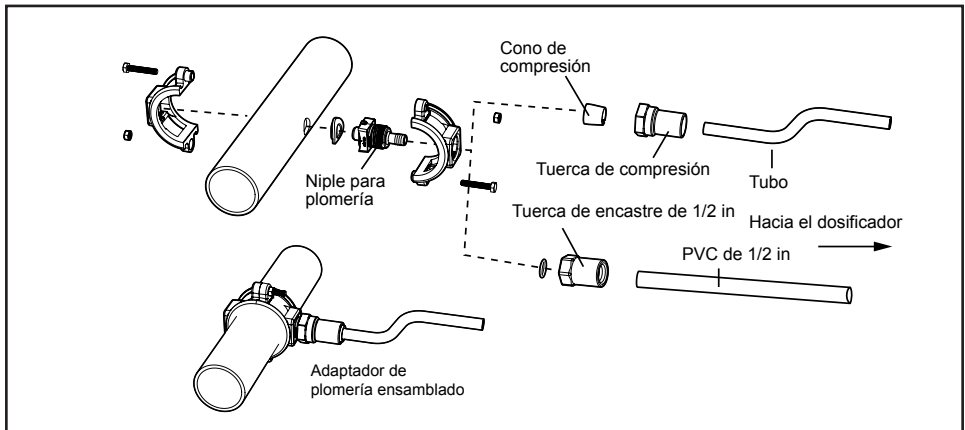


Figura 7. Conexión de herrajes a la tubería

Sección 5. Funcionamiento

NOTA: El consumo de cloro en las piscinas varía según el uso, la temperatura, la exposición a la luz solar y otros factores. Inicialmente tendrá que probar con la válvula de control para asegurarse de que la unidad dosifique la cantidad suficiente de productos químicos para mantener el residuo adecuado. Empiece con la válvula en la posición al 50 %. Realice pruebas periódicas del residuo siguiendo las instrucciones a continuación.

ADVERTENCIA

Concentraciones elevadas de químicos y gases peligrosos: la introducción de concentraciones elevadas de químicos o gases potencialmente peligrosos en la piscina o el spa durante el retrolavado y los periodos de ausencia de flujo en el sistema de circulación puede ocasionar lesiones personales graves o la muerte. Para evitarlo, siga las siguientes pautas:

- Configure el indicador de dosis en cero antes de detener el flujo de agua a través del clorinador.
- Minimice el tiempo de retrolavado.
- No apague la bomba durante periodos prolongados.
- No permita que los bañistas ingresen al área de la piscina o el spa hasta que se haya establecido el flujo completo a través del sistema de circulación.

1. Este dosificador de pastillas está diseñado para ayudarle a mantener un residuo de cloro. Siempre empiece la instalación de un nuevo dosificador asegurándose de que el cloro ya se encuentre en un nivel residual adecuado. Solicite a su distribuidor local información sobre el acondicionamiento de agua en su área. Los residuos deben ser de entre 1 a 3 ppm de cloro libre.
2. Retire la tapa del dosificador y recargue con pastillas del tamaño adecuado. Para piscinas, utilice pastillas con un diámetro de 1" o 3". Para spas, utilice pastillas con un diámetro de 1".
3. Llene la estructura completamente con agua y extraiga el aire atrapado en todas las líneas del sistema. Vuelva a poner la tapa, asegurándose de que la junta tórica esté limpia, lubricada con lubricante de silicona y bien colocada.
4. Encienda la bomba y los temporizadores por un mínimo de 6 a 8 horas. El nivel del agua dentro del clorinador alcanzará de 3 a 5 pulgadas en condiciones normales de funcionamiento.
5. Regule la válvula de control en sentido antihorario para un mayor flujo a través del dosificador por erosión y una mayor cantidad de cloro. O bien, regule en sentido horario para una menor cantidad de cloro según el tamaño de la piscina o el spa. Utilice un kit de prueba para determinar el residuo químico. Revise el residuo químico a diario durante los primeros cinco días.

NOTA: El clima caluroso, la alta temperatura del agua y el uso intenso demandarán un mayor uso de químicos en la piscina o el spa. De ser posible, aumente la velocidad de dosificación con unos días de anticipación. La configuración de la válvula puede necesitar ajustes dependiendo de las condiciones.

NOTA: Si el dosificador no produce suficiente residuo químico cuando se usan pastillas de 3", use pastillas de 1" para aumentar la velocidad de erosión y el residuo.

NOTA: Cuando haga el mantenimiento del clorinador, siempre compruebe que las juntas tóricas no estén dañadas, rotas, hinchadas, etc. Reemplácelas de ser necesario. (Véase la lista de repuestos).

Cambio de pastillas

ADVERTENCIA

Para evitar el riesgo de daños materiales graves, lesiones o la muerte:

- Utilice protección para ojos y piel mientras realiza el mantenimiento o servicio de esta unidad.
- No inhale vapores del clorinador o recipiente de productos químicos.
- El dosificador de cloro puede estar bajo presión. Retire la tapa con precaución.

1. Apague la bomba y cierre la válvula de control. La válvula de retención evitará que el agua ingrese al dosificador.
2. Afloje la tapa, pero no la quite. Espere un minuto para que el agua y los vapores salgan del dosificador.
3. Deje la válvula de control cerrada. Retire la tapa lentamente inclinándola lejos de usted, de tal modo que cualquier gas restante que escape esté lejos de usted. Revise la posición de la rejilla interna después de cada recarga. La rejilla se puede salir de su sitio cuando se añaden pastillas al clorinador.
4. Llene el dosificador con pastillas. **NUNCA MEZCLE DIFERENTES TIPOS DE PASTILLAS DE CLORO. NO UTILICE CON HIPOCLORITO DE CALCIO O BROMO.**
5. Llene la estructura completamente con agua y extraiga el aire atrapado en todas las líneas del sistema.
6. Vuelva a poner la tapa, asegurándose de que la junta tórica esté limpia, lubricada con lubricante de silicona y bien colocada. Lubrique la junta tórica solamente con un lubricante de silicona para junta tórica aprobado. (Ajuste solo con la mano).
7. Para mantener el rango de movimiento de la perilla y el sello de la junta tórica, gire completamente la válvula de control antes de fijar el nivel de salida. Gire la perilla en sentido horario hasta 0 (cerrado), luego gire en sentido antihorario hasta 100 (completamente abierto) y después abra la válvula de control en la posición deseada.

NOTA: Esté pendiente del nivel de las pastillas en la unidad, de preferencia recargue ANTES de que se acaben.

ADVERTENCIA

Para evitar el riesgo de daños materiales, lesiones graves o la muerte, no se debe usar hipoclorito de calcio en ninguna forma.

Sección 6. Acondicionamiento para el invierno

NOTA: Si la sala de equipos o la plataforma de la piscina está sujeta a condiciones de congelación, se deberá drenar la unidad de dosificación siguiendo estas instrucciones.

1. Este clorinador cuenta con un tapón de drenaje ubicado en el fondo para un fácil drenaje de la unidad en preparación para el invierno.
2. Retire cualquier residuo de pastillas químicas no disueltas y enjuague la estructura con agua limpia.
3. Siga los demás procedimientos habituales para el acondicionamiento de su sistema de cara al invierno.

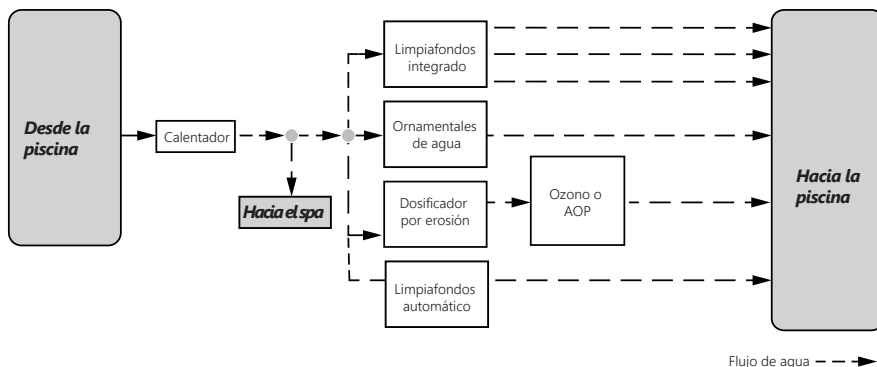
Sección 7. Resolución de problemas

SÍNTOMA	CAUSA	ACCIÓN CORRECTIVA
La tapa de vidrio está opaca	Exposición al cloro	Retire la tapa y límpiela con un trapo. Si sigue opaca, la opacidad desaparecerá por sí sola si se expone la tapa al sol y al aire fresco. NO deje el clorinador abierto sin la tapa puesta. Si necesita retirar la tapa para limpiarla, coloque otra provisionalmente.
Flujo reducido/ baja concentración de cloro/indicador de flujo que no se mueve	Obstrucción del conjunto de válvula	Retire el conjunto de válvula reemplazable. Se puede desmontar para limpiar cualquier acumulación o residuo.
	Obstrucción de la estructura del clorinador	La rejilla del fondo se puede retirar cuando se forma una obstrucción de cloro en el interior de la unidad. El residuo de cloro se debe retirar para evitar que afecte el rendimiento del dosificador. La rejilla ayuda a evitar que el conducto de salida se obstruya con residuos de la pastilla.
Fugas alrededor de las conexiones	Juntas tóricas dañadas	Compruebe que las juntas tóricas no estén dañadas; reemplácelas según sea necesario.
Baja concentración de cloro en la piscina	<ol style="list-style-type: none"> 1. Las pastillas de tricloro se han consumido 2. Tiempo de filtración demasiado reducido 3. Demanda de cloro demasiado alta 	<ol style="list-style-type: none"> 1. Añada tabletas de tricloro en la unidad. 2. Aumente el tiempo de filtración diario. 3. Si está utilizando pastillas de 3", cámbielas por pastillas de 1".
El agua está verde o tiene algas	No se está haciendo el mantenimiento adecuado de uno de los parámetros del agua (pH, ácido cianúrico, etc.)	Póngase en contacto con su profesional de piscinas para obtener más información y saber qué medidas adoptar.

ANEXO - SISTEMA DE PLOMERÍA

Los diagramas a continuación incluyen configuraciones de plomería comunes. Para otras configuraciones o preguntas acerca de la instalación, llame a Soporte técnico.

- Dosificador por erosión: siempre instale la plomería después de los calentadores de piscina para evitar dañar el sistema de calentamiento. El dosificador debe estar en la línea de retorno principal, separado de cascadas o limpiafondos automáticos.
- Sistemas desinfectantes alternativos/de ozono o AOP. Siempre instale la plomería de los dosificadores antes de los inyectores para evitar la acumulación de gas o burbujas dentro del dosificador por erosión.



NOTAS

Zodiac Pool Systems LLC

2882 Whiptail Loop # 100, Carlsbad, CA 92010, EE. UU.

Jandy.com | 1.800.822.7933

Zodiac Pool Systems Canada, Inc.

2-3365 Mainway, Burlington, ON L7M 1A6 Canadá

Jandy.ca | 1.888.647.4004